

# LED Linear Wall Washer

## Safety instructions for LLW16-WW, LLW32-WW and LLW48-WW

**WARNING:** This product may represent a possible shock or fire hazard if improperly installed or attached in any way. Products should be installed by a qualified electrician in accordance with these instructions, current electrical codes and/or the current National Electric Code (NEC).

**WARNING:** To avoid electrical shock, disconnect or disable power at the source prior to installation or maintenance!

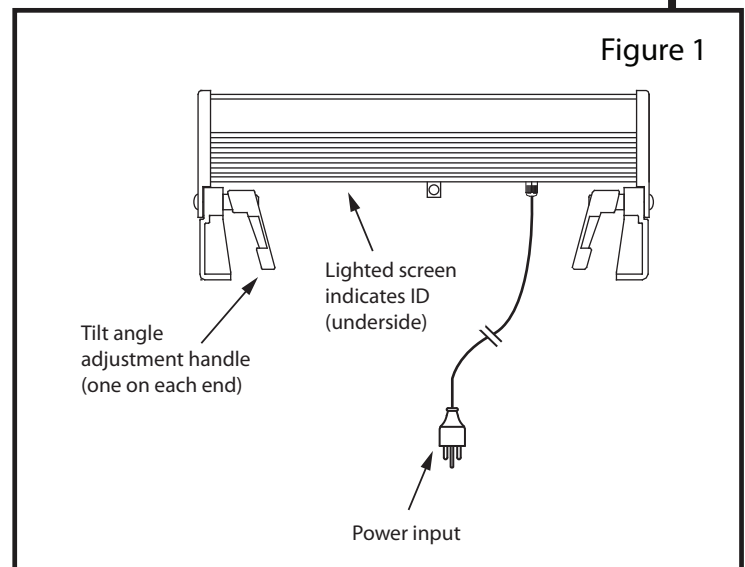
**IMPORTANT SAFETY INSTRUCTIONS** - Do not begin installation until you read and understand the installation and safety instructions.

1. All units must be unplugged before installing or servicing in any way.
2. Do not route cords or units through walls, doors, windows or any similar part of a building structure.
3. Do not use if there is any damage to the unit, its lens and/or power cord's insulation. Inspect periodically.
4. Do not submerge in water or liquids.
5. Secure units using mounting hardware appropriate for the mounting surface. Do not secure unit or its power cord with staples, nails or the like that may damage insulation.
6. As dictated by engineer's drawings or local code, install safety cables on fixtures.
7. Do not attempt to open or service the fixture. None of its parts are serviceable by the user.
8. Do not exceed the specified voltage and current input.
9. This product has a polarized grounded plug as a safety feature to reduce the risk of electric shock. Do not cut the plug off or alter it in any way.

**WARNING:** When using outdoors, basic safety precautions should always be followed to reduce the risk of fire, electric shock and personal injury, including the following:

1. Ground Fault Circuit Interrupter (GFCI) protection should be provided on the circuit(s) or outlet(s) to be used for outdoor use. Receptacles are available having built-in GFCI protection for this measure of safety.
2. Use only outdoor extension cords, such as type SW, SOW, STW, STOW, SJW, SJOW, SJTW, or SJTO. This designation is marked in the wire of the extension cord. Never use with an extension cord unless plug can be fully inserted. AC 120V, 60Hz max.

CONTINUED ON PAGE 2



# LED Linear Wall Washer

Safety instructions for LLW16-WW, LLW32-WW and LLW48-WW

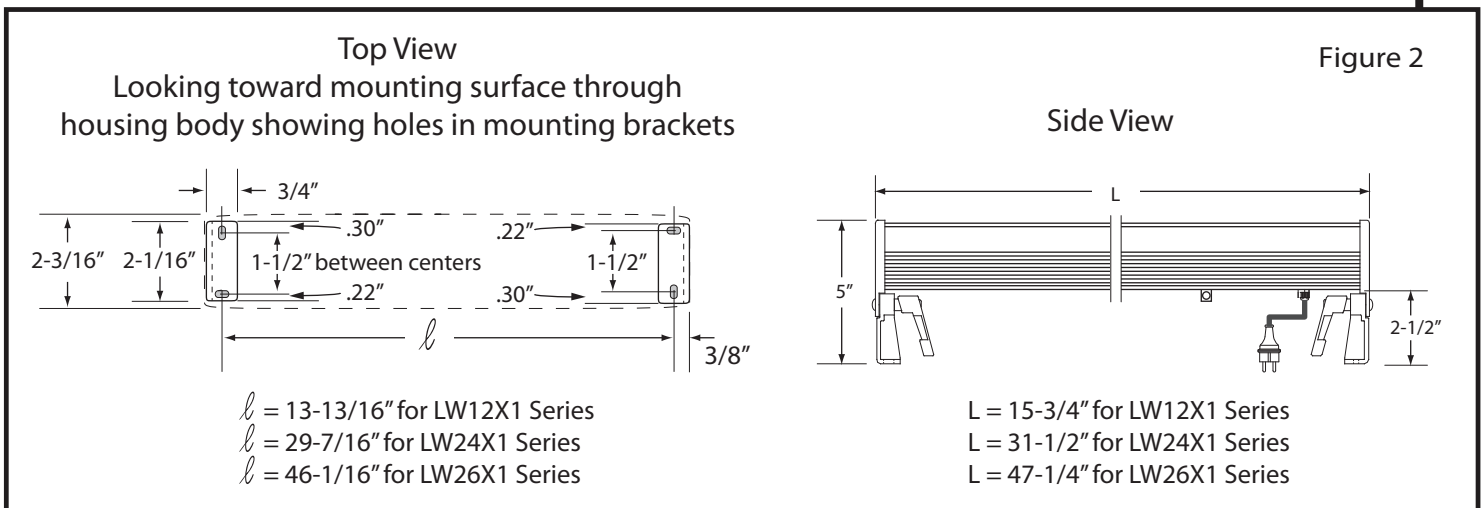
CONTINUED FROM PAGE 1

## INSTALLATION CONSIDERATIONS

1. Determine the number of fixtures to be used.
2. Consider the locations of all fixtures and provide a grounded receptacle for within 5 feet of each fixture's location. If using outdoors, outlet(s) must also be GFCI and weatherproof.

## FIXTURE INSTALLATION

1. Consider what mounting hardware will be used. The mounting surface will dictate the type of fastener. The base has through-holes for mounting. See Figure 2 for details.
2. Mount the fixture securely to the mounting surface using appropriate fasteners.



3. Loosen adjustment handles on each end, rotate and hold the light in the desired position with the LED Wall Washer facing the surface to be lighted, then re-tighten the handles to hold the tilt angle. Repeat for any additional fixtures. See Figure 3.
4. Plug fixtures into grounded 120V AC receptacles. Outdoor installations require GFCI protected grounded 120V AC receptacles.

