

LED LINEAR WALL WASHER

Instructions for LLW16-RGB, LLW32-RGB, and LLW48-RGB 120V, 60Hz AC Operation

WARNING: These products may represent a possible shock or fire hazard if improperly installed or attached in any way. Products should be installed in accordance with these instructions, current electrical codes, and/or the current National Electric Code (NEC).

WARNING: To avoid electrical shock, disconnect or disable power at the source prior to installation or maintenance!

IMPORTANT SAFETY INSTRUCTIONS - Do not begin installation until you read and understand the installation and safety instructions.

1. All units must be unplugged before installing or servicing in any way.
2. Do not route cords or units through walls, doors, windows, or any similar part of a building structure.
3. When using outdoors, controller (if applicable) must be secured in a weatherproof enclosure.
4. Do not use if there is any damage to the unit, its lens, and/or power cord's insulation. Inspect periodically.
5. Do not let stand in or come into contact with water or liquid; Fixture has IP65 rating.
6. Secure units using mounting hardware appropriate for the mounting surface. Do not secure unit or its power cord with staples, nails, or like materials that may damage insulation.
7. Do not attempt to open or service this fixture. None of its parts are serviceable by the user.
8. Do not exceed the specified voltage and current input.
9. If using in conjunction with the LW36-CON controller, do not exceed the maximum run of thirty units.
10. This product has a polarized, grounded plug as a safety feature to reduce the risk of electric shock. Do not cut the plug off or alter it in any way.

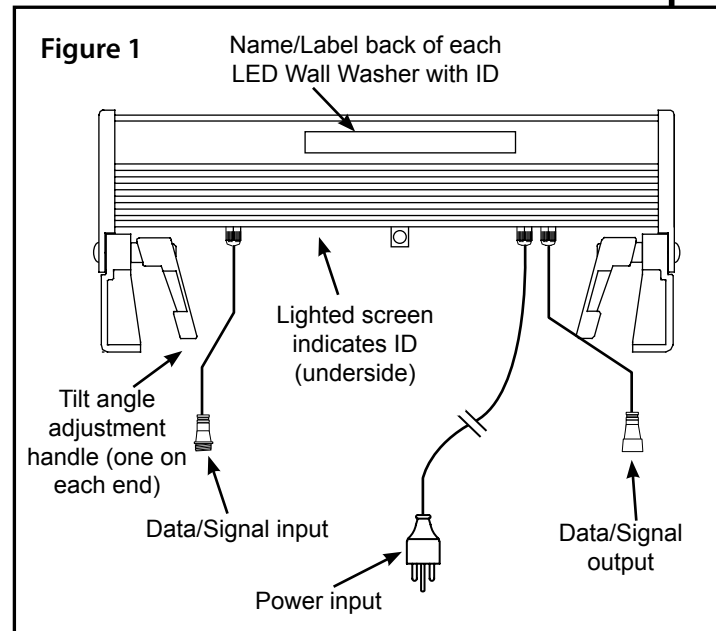
WARNING: When using outdoors, basic safety precautions should always be followed to reduce the risk of fire, electric shock, and personal injury including the following:

1. Ground Fault Circuit Interrupter (GFCI) protection should be provided on the circuit(s) or outlet(s) to be used for outdoor use. Receptacles are available having built-in GFCI protection for this measure of safety.
2. Use only outdoor extension cords, such as type SW, SOW, STW, STOW, SJW, SJOW, SJTW, OR SJTO. This designation is marked in the wire of the extension cord. Never use with an extension cord unless plug can be fully inserted. AC 120V, 60Hz max.

INSTALLATION PLANNING:

Plan ahead for quick, successful installation.

1. Review all wiring plans in advance. Refer to local and state codes for installation compliance.
2. Make a fixture layout plan that shows locations of each fixture and the controller. Leave room or create a legend to record the fixture "IDs" (identifying number for fixture addressing purposes).
3. As you unpack each fixture, attach a weatherproof label on the fixture to reference its location in the lighting installation plan. This will help speed the installation and identify units for addressing purposes. See Figure 1.



LED LINEAR WALL WASHER

Instructions for LLW16-RGB, LLW32-RGB, and LLW48-RGB
120V, 60Hz AC Operation

INSTALLATION CONSIDERATIONS:

The maximum number of fixtures that can be controlled by the LW36-CON controller is thirty (30). For any project that requires more than thirty fixtures, please consult factory.

1. Calculate the number of fixtures to be used. Consider the locations of all fixtures and of the controller.
2. Create a lighting plan that itemizes where each unit is located and routing plan for signal cables. Provide a grounded receptacle for within 5 feet of each fixture's location. See Figure 2 and "Fixture Installation". If using outdoors, outlet(s) must also be GFCI and weatherproof.
3. Locate the controller within 175 feet of the last fixture in a series. Note: The controller is usually installed after the fixtures are in place and will require its own 120V AC outlet within 7 feet of its location. See Figure 2.
4. Route signal cables per lighting plan established above.

Figure 2

Shown below: Signal cables interconnecting fixtures. Provide grounded outlet for each unit and also for controller.

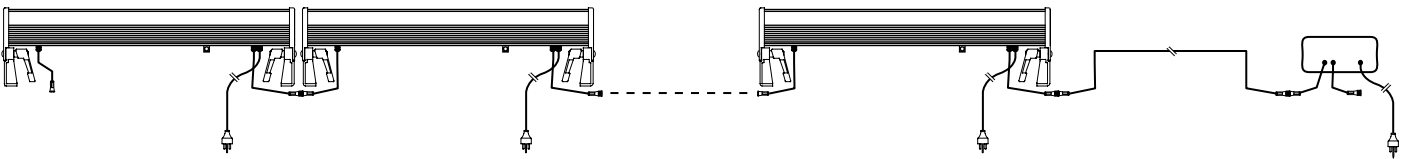
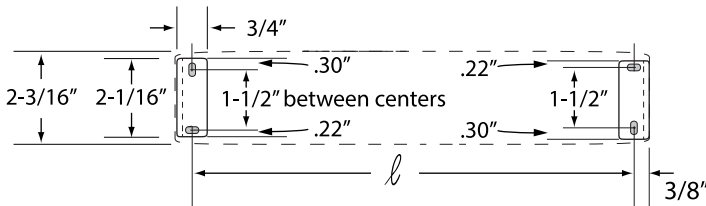


Figure 3

Looking toward mounting surface through housing body showing holes in mounting brackets

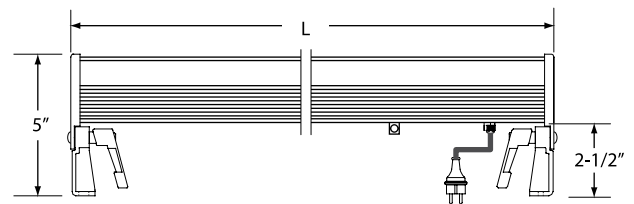


$$l = 13-13/16'' \text{ for LLW16-RGB}$$

$$l = 29-7/16'' \text{ for LLW32-RGB}$$

$$l = 46-1/16'' \text{ for LLW48-RGB}$$

Side View



$$L = 15-3/4'' \text{ for LLW16-RGB}$$

$$L = 31-1/2'' \text{ for LLW32-RGB}$$

$$L = 47-1/4'' \text{ for LLW48-RGB}$$

FIXTURE INSTALLATION:

1. Be sure to record the fixtures' IDs on the lighting plan. Label the fixtures with their assigned locations by attaching a weatherproof label to each unit.
2. Set the fixtures' IDs. Note: If you want all of the fixtures to be synchronized, give them all the same ID*. To change the fixture's ID, simply press the contact buttons on the back next to the LED screen (one will advance IDs, the other will lower ID numbers). The fixture's ID will be held in memory even when unplugged or otherwise powered off.
3. Consider what mounting hardware will be used. The mounting surface will dictate the type of fastener. The base has through-holes for mounting. See Figure 3 for details.
4. Mount the fixture securely to the mounting surface using appropriate fasteners.

LED LINEAR WALL WASHER

Instructions for LLW16-RGB, LLW32-RGB, and LLW48-RGB
120V, 60Hz AC Operation

FIXTURE INSTALLATION CONTINUED:

- Loosen adjustment handles on each end, rotate and hold the light in the desired position with the LED Wall Washer facing the surface to be lighted, then re-tighten the handles to hold the title angle. Repeat for any additional fixtures. See Figure 4.
- Interconnect fixture's signal cables per lighting plan and connect first fixture's input cable to controller.
- Plug fixtures and controller into grounded AC outlets.

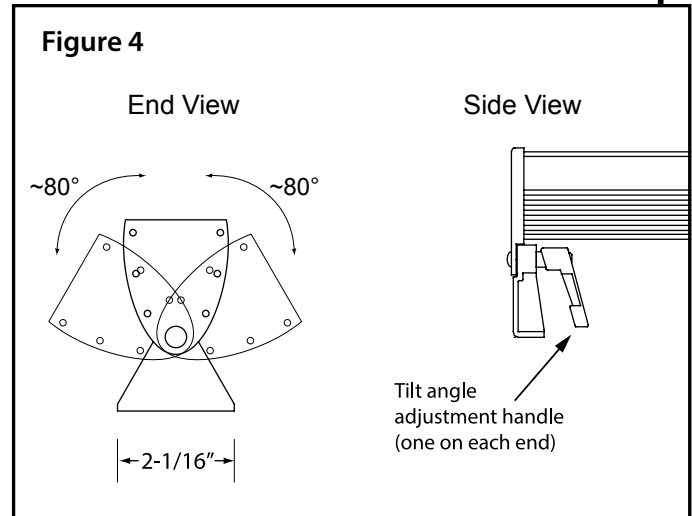
CONTROLLER INSTALLATION:

Note: Each fixture is factory-set to ID = 001 as indicated on the lighted screen on the back of the array. See Figure 1. If the ID is left as 001, the unit will begin to advance through a factory-set color sequence. A controller is required to produce synchronous color changing mixes and for use as a DMX interface. For advanced lighting "scenes", use DMX software*, such as DMX-PLAY, using LW36-XLR3 (XLR3 adapter cable); each sold separately.

- Determine the location of the controller and plug in the controller. (If your installation uses more than one controller, please consult factory.) Refer to controller instructions for user programming instructions.
- Connect the controller's data output cable (mini 3-pin female) directly to the data input cable of the fixture (mini 3-pin male) or interconnect using 15' signal cable, (part number LW36-EC15, sold separately), if needed. See Figure 3.
- Daisy-chain the remaining fixtures directly or with 15' signal cables, as needed.

The LW36-CON will control up to 30 fixtures. Use LW-END to cap off last "signal out" cable to prevent signal feedback. Outdoors, provide a GFCI weatherproof outlet within 7 feet of each fixture location.

*Specialized DMX software will allow multiple IDs for advanced effect lighting. All fixtures connected to the LW36-CON controller will automatically synchronize. When using DMX 512 software, refer to the manufacturer's instructions.



LW36-CON: OVERVIEW



LW36-CON Fade Controller

Features and functions

- Seven preset colors (Red, Green, Yellow, Blue, Magenta, Cyan and White)
- Multiple pre-programmed color sequences and fades
- Controls up to 30 fixtures
- Six foot 120V AC power cord
- Signal lead connects to first fixture via data input cable (LW36-EC15)
- DMX output

Compatible items

- LW36-RGB
- LLW16-RGB, LLW32-RGB, LLW48-RGB
- LW36-EC15 (up to 3000 feet)