

Series AL/FZL/GL/GLN/GLS/HL HUB Mounting Instruction Sheet

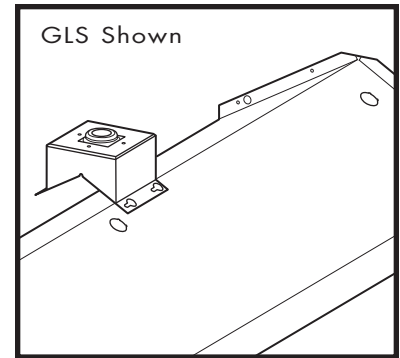
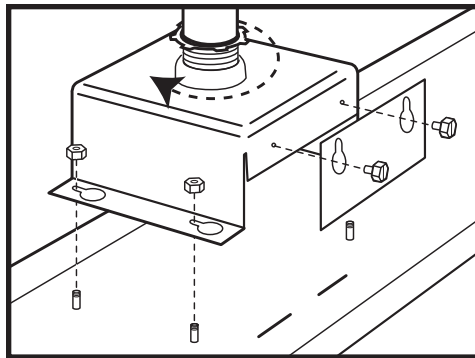
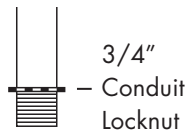
Parts List

- Parts included with 3/4" Hub Mounting Box:
- (1) 3/4" Conduit Lock Nut (LN).
 - (1) HUB Mounting Box (MB) (includes 3/4" NPT cast HUB).
 - (1) Adjustable 10' aircraft 'Y' cable hanger with toggles (AC).

Installation

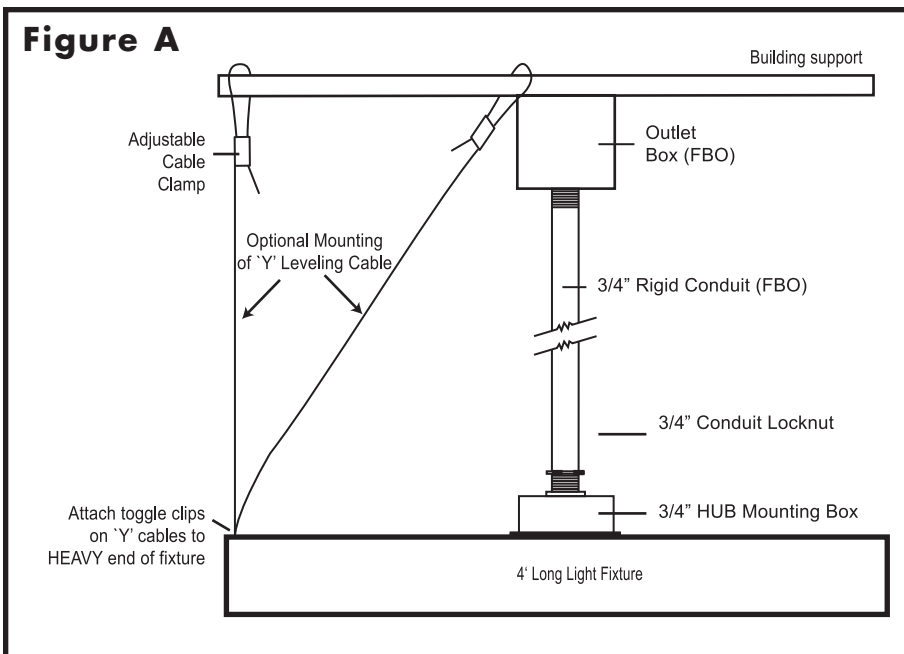
To install fixture onto 3/4" rigid conduit (FBO):

- 1** Screw LN onto rigid conduit with locking side of nut facing towards end of conduit to which MB will be attached.
- 2** Screw 3/4" rigid conduit (FBO) to 3/4" cast HUB in MB until tight. **NOTE:** Access cover plate on MB is to run parallel with length of fixture.
- 3** Tighten LN against top of cast HUB to assure MB assembly locked into position.
- 4** Remove wire way access cover from MB.
- 5** Remove access plate from back of fixture and discard, pull fixture supply leads out through access plate hole.



- 6** Loosen (4) hex machine nuts approximately 1/8" on bolts protruding out back of fixture housing.
- 7** Mount fixture onto MB by lifting fixture and guide (4) mounting bolts with machine nuts through keyholes in MB. **(NOTE:** Access cover plate should align with two small slots in fixture.) Shift fixture horizontally until all four bolts are positioned in narrow area of keyhole. Tighten all four machine nuts with wrench or nut driver.
- 8** Make electrical connections of incoming power supply wires from 3/4" rigid conduit to fixture supply wires. **NOTE:** Wire in accordance with all NEC requirements and any state, city or local electrical codes.
- 9** Replace wire way access cover onto MB.

Figure A



Balancing/ Stabilizing Fixture:

In some cases the fixture will not hang level due to ballast(s) mounting, EM packs, occupancy sensors, air movement, etc., which causes fixture to be unbalanced. If this condition occurs, install the optional AC assembly to level and stabilize the fixture. Attach the two toggles on 'Y' cable through hanging holes on HEAVY end of fixture and attach other end of cable to a building support member using the adjustable gripper on cable. Adjust cable until fixture is level. (Refer to detail for optional methods of attaching leveling cable.)



FLUORESCENT LIGHTING

H.E. Williams, Inc. • Carthage, Missouri • www.hewilliams.com • 417-358-4065 • Fax: 417-358-6015

PN: 49090039 03/10/10RJ

Page 1

Series AL/FZL/GL/GLN/GLS/HL

Single Point Hook-Mount Instruction Sheet

Parts List

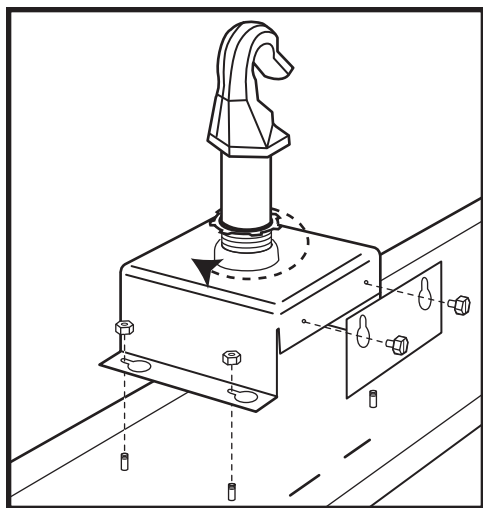
Parts included with Hub/Hook Mounting Box:

- (1) 3/4" Conduit Lock Nut (LN).
- (1) 3/4" Cast Fixture Hook (FH).
- (1) HUB Mounting Box (MB) (includes 3/4" NPT cast HUB).
- (1) Adjustable 10' aircraft 'Y' cable hanger with toggles (AC).

Installation

To install fixture onto hook, loop or eye bolt mount (FBO):

- 1** Screw LN onto FH with locking side of nut facing towards threaded end of FH.
- 2** Screw FH into cast HUB until tight.
NOTE: Access cover plate on MB is to run parallel with length of fixture, and align with two slots on fixture.
- 3** Tighten LN against top of cast HUB to assure FH is locked into position.
- 4** Loosen (4) hex machine nuts approximately 1/8" on bolts protruding out back of fixture housing.



Balancing/Stabilizing Fixture:

See Figure A and Balancing/Stabilizing information on opposite side.

For fixtures with power supply cord (FBO), flexible conduit (FBO) or cord and plug (factory furnished):

- A** Remove access plate from back of fixture and discard. Pull fixture supply leads out through access plate hole.
- B** Remove wire way access cover from MB.
- C** Install MB with FH onto back of fixture by inserting (4) bolts/nuts protruding out back of fixture thru (4) keyholes in base of MB. Shift MB horizontally until all four bolts are positioned in narrow part of keyhole.
NOTE: Access cover plate on MB is to run parallel with length of fixture, and align with two slots on fixture. Tighten all four machine nuts with wrench or nut driver.
- D** Lift fixture into position and attach FH onto existing mounting support (FBO).
- E** Install cord thru hole in FH and into MB or if flexible conduit, install in knockout in back of MB using 1/2" electrical fitting of appropriate type.
- F** Make electrical connections of incoming power supply cord or flex to fixture supply leads.
NOTE: Wire in accordance with all NEC requirements and any state, city or local codes.
- G** Replace wire way access cover onto MB.
- H** If fixture is equipped with a plug, attach plug into receptacle. For fixtures with cord or flex make electrical connections to incoming power supply as listed in item F.

OR:

For fixture with factory-attached power supply cord in access plate on back of fixture:

- I** Feed loose end of cord from inside of MB through hole in FH.
- J** Install MB with FH onto back of fixture by inserting (4) bolts/nuts protruding out back of fixture thru (4) keyholes in base of MB. Shift MB horizontally until all four bolts are positioned in narrow part of keyhole.
NOTE: Access cover plate on MB is to run parallel with length of fixture, and align with two slots on fixture. Tighten all four machine nuts with wrench or nut driver.
- K** Lift fixture into position and attach FH onto existing mounting support (FBO).
- L** Make electrical connections from incoming power supply to fixture supply leads (cord).
NOTE: Wire in accordance with all NEC requirements and any state, city or local codes.



FLUORESCENT LIGHTING

H.E. Williams, Inc. • Carthage, Missouri • www.hewilliams.com • 417-358-4065 • Fax: 417-358-6015

PN: 49090039 03/10/10RJ

Page 2

Series AL/FZL/GL/GLN/HL Hook and Cable Mounting Instruction Sheet

Parts List

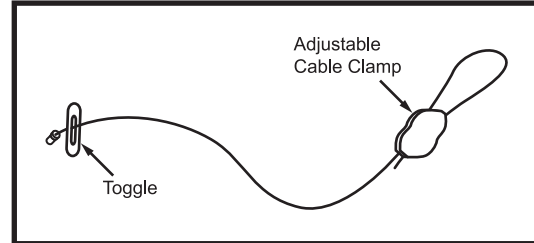
- Parts included with Hook and Cable Kit:
- (1) 3/4" Cast Fixture Hook with mounting plate.
 - (4) Adjustable mounting cables with toggles.

Installation

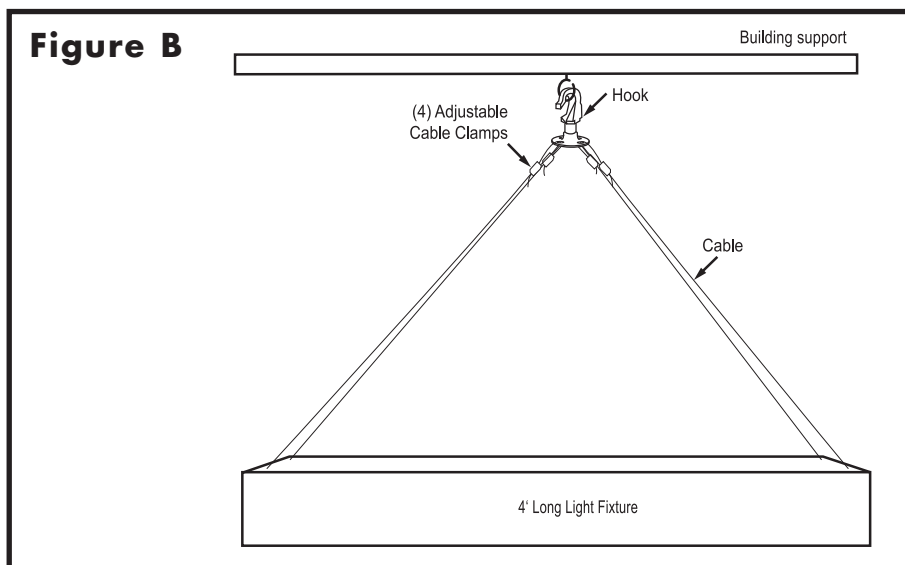
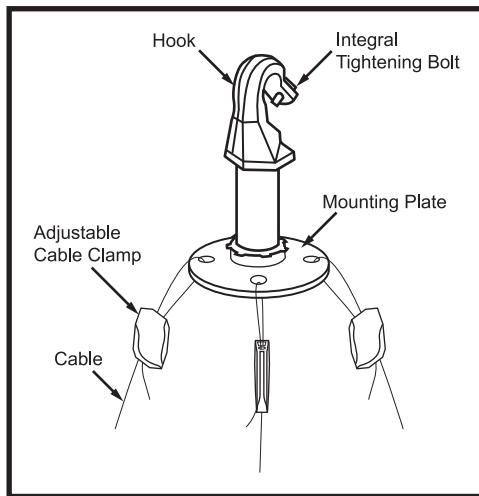
To install fixture using Hook and Cables:

- 1 Attach hook to eye bolt or loop (FBO) with integral tightening bolt on hook.
- 2 Loop cables through holes in hook mounting plate, then push one end of the cable through the empty channel of the adjustable cable clamp. Pull the cable until you reach the desired length of cable to use from the hook to the fixture below.

- 3 Slip the toggles through holes/slots provided in fixture housing. Refer to **Figure B** for how the fixture should appear when mounted.



- 4 For balancing the fixture, refer to **Figure A** and **Balancing/Stabilizing Fixture** instruction on page 1.



FLUORESCENT LIGHTING

H.E. Williams, Inc. • Carthage, Missouri • www.hewilliams.com • 417-358-4065 • Fax: 417-358-6015

PN: 49090039 03/10/10RJ

Page 3