

INSTALLATION INSTRUCTIONS

H2-KIT Series



⚠ WARNING

These products may represent a possible shock or fire hazard if improperly installed or attached in any way. Products should be installed in accordance with these instructions, current electrical codes, and/or the current National Electric Code (NEC).

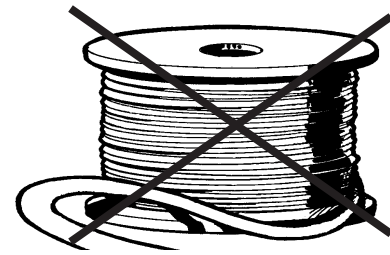
⚠ WARNING

120V Hybrid 2 Kits are cETLus Listed and interconnectable up to 150ft. Safety rating is void if a kit is cut or altered, or if used with any power cord other than the one provided.

⚠ WARNING

To reduce the risk of fire, electric shock or injury to persons, use this flexible light only with American Lighting recommended drivers, controllers, power connectors, jumpers and extensions.

⚠ WARNING



Do not operate Hybrid 2 while it is coiled.

⚠ WARNING

To reduce the risk of fire, electric shock or injury to persons, make sure that the electrical power to the fixture is disconnected at the source prior to installation or any servicing.

SAFETY INFORMATION

- Read all installation instructions before beginning; if not qualified, do not attempt installation. Contact a qualified electrician.
- To reduce the risk of fire, electric shock, or injury to persons, pay close attention to this manual and stay within its guidelines when using this product. Save these instructions for future use.
- Do not cover this product as the covering may cause rope to overheat, melt, or ignite.
- Do not operate Hybrid 2 while it is tightly coiled.
- Do not submerge flexible light in liquids, or use the product in the vicinity of standing water or other liquids.
- Do not route the cord or Hybrid 2 through walls, ceilings, doors, windows, or any similar part of the building structure.
- Secure this flexible light using only the mounting clips provided or factory recommended mounting track (sold separately).
- Do not secure this product or its cord with staples, nails, or like means that may damage the insulation.
- Do not use if there is any damage to the PVC housing or power cord insulation. Inspect periodically.
- Do not install on gates or doors, where subject to continuous flexing.
- Do not install in tanks or enclosures of any kinds.
- Follow instructions carefully when splicing Hybrid 2 sections or attaching power cords. Ensure that all connections, including the end cap on the last segment, are properly installed with dielectric grease and shrink tube to preclude the entrance of water (outdoor applications).
- Risk of fire. Do not replace attachment plug. Discard product if attachment plug is damaged.
- This product has a polarized plug (one blade is wider than the other) as a feature to reduce the risk of electric shock. This plug will fit in a polarized outlet only one way. If the plug does not fit fully in the outlet, reverse the plug. If it still does not fit, contact a qualified electrician. Never use with an extension cord unless plug can be fully inserted. Do not alter plug. This plug contains an electrical fuse as a safety feature. See Page 2 for instructions on replacing the fuse (Use only 8 Amp 125 Volt fuse).
- **120V Hybrid 2 is cETLus Listed, but this safety rating is void if the 150ft reel is cut.** Cutting the Hybrid 2 Kit and/or altering the power cord in any way including, but not limited to cutting, splicing, and/or adding any power accessories will void the cETLus Listing.
- This product is for decorative use only. Not to be used by children as a toy. Keep out of reach of small children.
- Do not exceed 150ft maximum run distance in any single run.

⚠ WARNING

When using outdoor portable lighting products, basic safety precautions should always be followed to reduce the risk of fire, electric shock, and personal injury, including the following:

- Use dielectric grease and shrink tube at all power connections, including end cap when using outdoors.
- Use ground fault circuit interrupter (GFCI) protection on the circuit(s) or outlet(s) when using outdoors.
- Use only UL approved outdoor extension cords, such as type SW, SOW, STW, STOW, SJW, SJOW, SJTW, or SJTOW. This designation is marked on the jacket of the extension cord.

PRODUCT INFORMATION

Hybrid 2 Kits are sold in 3ft, 6ft, 12ft, 18ft, 30ft, and 45ft lengths. Each kit includes (1) 5ft removable power cord, (1) removable end cap, and (1) mounting clip per foot of length. Mounting accessories include H2-CLIPS (bag of ten plastic mounting clips), H2-TRACK-3 (3ft plastic track) and/or H2-CHAN-3 (3ft aluminum mounting channel); all sold separately. Jumpers (linking extensions) include 6", 3ft, and 6ft lengths for kits.

Power consumption = 3 W/ft; Maximum run = 150 feet

INSTALLATION INSTRUCTIONS

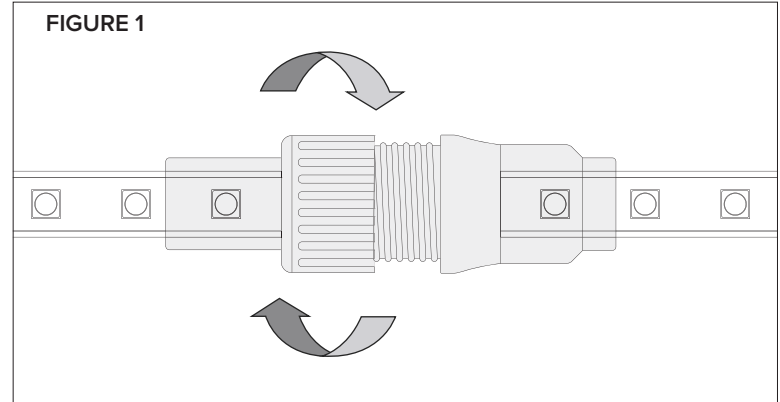
H2-KIT Series



EXTENDING HYBRID 2 KITS (See Figure 1):

Note: When connecting multiple Hybrid 2 Kits together, do not exceed the maximum run length as noted by the tag on the cord: 150ft max

1. Turn the plastic end cap counter-clockwise to remove from the first kit.
2. Remove power cord from the second kit.
3. Connect the kits by plugging the male and female halves into each other, then tighten the screw-on connection cover.
4. Repeat steps 1, 2, and 3 for any additional kits.
5. Turn the plastic end cap clockwise until it is firmly tightened and secured on the end of the last kit.



MOUNTING WITH MOUNTING CLIPS:

(Plastic mounting clips included)

1. Attach mounting clips provided using nails or screws. Be sure that the mounting surface is mechanically sound.
2. Mounting clips should be evenly spaced and be a maximum of 12 inches apart.
3. Make sure that the distance between two separate/nearby lines of Hybrid 2 Kits are at least 1/2" apart to ensure heat distribution.

MOUNTING WITH TRACK OR CHANNEL:

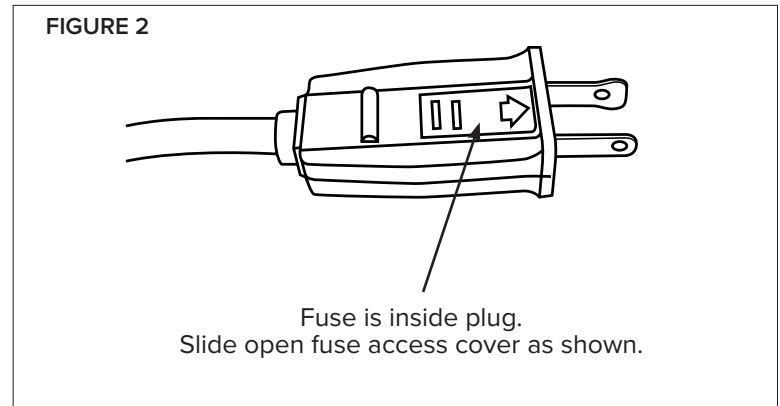
(H2-TRACK-3 or H2-CHAN-3 sold separately)

1. Using appropriate fasteners, attach mounting track/channel to a mechanically sound surface.
2. Gently press Hybrid 2 Kit onto track/channel so that it snaps into place and the Hybrid 2 does not move.

TO REPLACE FUSE:

This plug contains an electrical fuse as a safety feature.

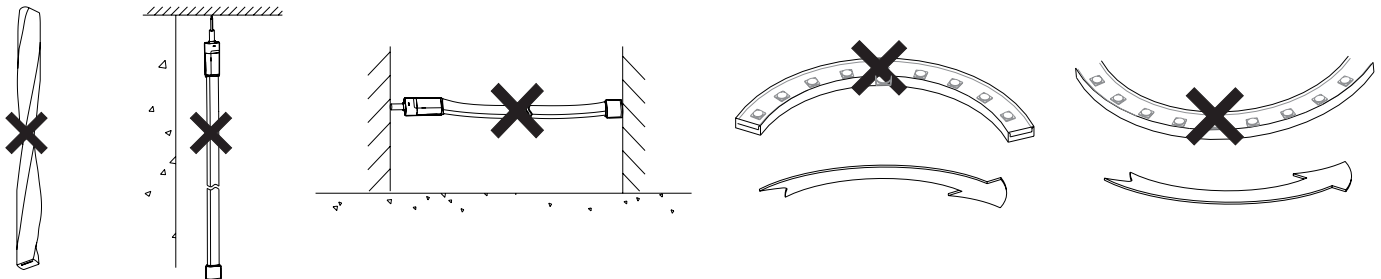
1. Disconnect power before replacing the fuse.
2. Grasp plug and remove from the receptacle or other outlet device.
3. Do not unplug by pulling on the cord.
4. Slide open the fuse access cover (See figure 2).
5. Remove old fuse carefully.
6. Never attempt to replace the fuse with a higher wattage fuse. Use only 8Amp 125Volt fuse. Failure to do so may be a fire hazard. (One spare fuse is included; stored inside plug for convenience)
7. Set new fuse in holder and close fuse access cover.



CARE AND MAINTENANCE:

1. For cleaning, use a soft, dry or damp cloth. Do not use harsh chemicals or abrasives.

DO NOT TWIST, HANG VERTICALLY, SUSPEND UNSUPPORTED IN THE MIDDLE, OR BEND ALONG SHORT SIDE



PROP 65 WARNING:

Handling the coated electrical wires of this product exposes you to lead, a chemical known to the State of California to cause cancer, birth defects, and other reproductive harm. Wash hands after use.