

# EL-2MRS Self-powered Halogen Light Unit

## IMPORTANT SAFEGUARDS

When using electrical equipment, basic safety precautions should always be followed including the following:

## READ AND FOLLOW ALL SAFETY INSTRUCTIONS

1. DO NOT USE OUTDOORS.
2. DO NOT MOUNT NEAR GAS OR ELECTRIC HEATERS.
3. DO NOT LET POWER CORDS TOUCH HOT SURFACES.
4. USE CAUTION WHEN SERVICING BATTERIES. AVOID POSSIBLE SHORTING.
5. EQUIPMENT SHOULD BE MOUNTED IN LOCATIONS AND AT HEIGHTS WHERE IT WILL NOT READILY BE SUBJECTED TO TAMPERING BY UNAUTHORIZED PERSONNEL.
6. THE USE OF ACCESSORY EQUIPMENT NOT RECOMMENDED BY THE MANUFACTURER MAY CAUSE AN UNSAFE CONDITION.
7. DO NOT USE THIS EQUIPMENT FOR OTHER THAN INTENDED USE.
8. BEFORE WIRING TO AC SERVICE, TURN OFF AC POWER AT FUSE OR CIRCUIT BREAKER.
9. DISCONNECT AC POWER AND UNPLUG BATTERY BEFORE SERVICING.
10. WHEN RELAMPING, ONLY USE LAMPS SPECIFIED IN THE FIXTURE.
11. BATTERY IN THIS UNIT MAY NOT BE FULLY CHARGED. AFTER THE AC SERVICE IS HOOKED UP TO UNIT, LET THE BATTERY CHARGE UP FOR AT LEAST 24 HRS BEFORE PERFORMING ANY TESTS.

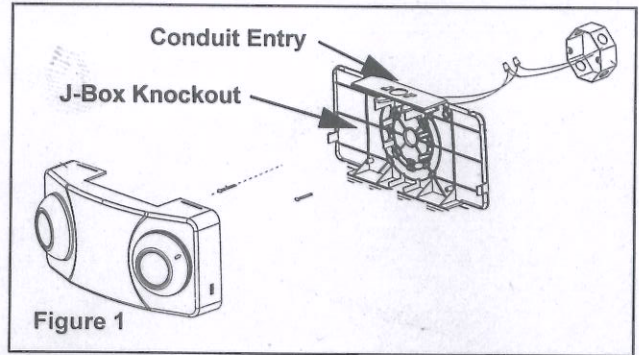


Figure 1

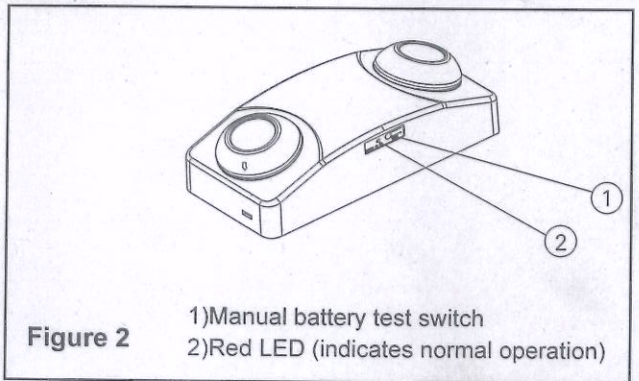


Figure 2

1) Manual battery test switch  
2) Red LED (indicates normal operation)

## SAVE THESE INSTRUCTIONS

### Installation Instructions

#### JUNCTION BOX MOUNTING

1. Remove 3/8" hole plug in the center of back plate and place it into the hole on top of the housing (see Fig. 1). Remove oblong knock outs on back plate that correspond to junction box holes to be used.
2. Feed AC supply leads through center hole and make the proper connections. If using 120VAC, connect the black and white leads to the building utility. If using 277VAC, connect the orange and white leads to the building utility. Cap off unused wire. Be sure to snap battery connector together.
3. Feed excess wire into junction box and secure back plate to junction box.
4. Snap light head housing, top first and then bottom.

#### CONDUIT MOUNTING

1. Secure back plate to wall surface. Feed AC wires through the hole on the top flange of the back plate and make conduit connection. Make AC power connections as in 2 above.
2. Snap light head housing, top first and then bottom.

#### MANUAL TESTING

1. Manual testing can be initiated by pushing on the test switch (1) (Figure 2)
2. Battery in this unit may not be fully charged. After AC service is hooked up to unit, let the battery charge up for at least 24 hrs before performing any tests.

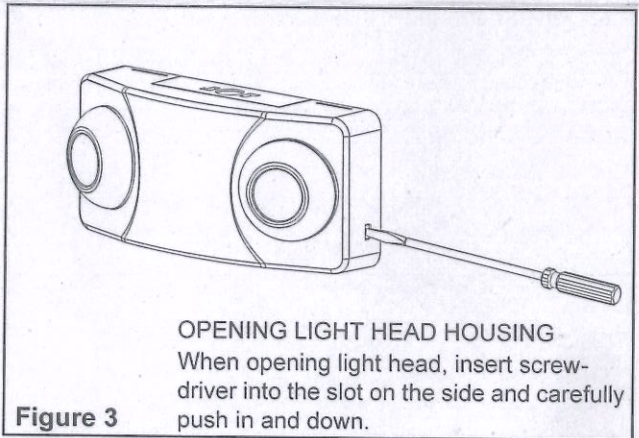


Figure 3

**OPENING LIGHT HEAD HOUSING**  
When opening light head, insert screwdriver into the slot on the side and carefully push in and down.

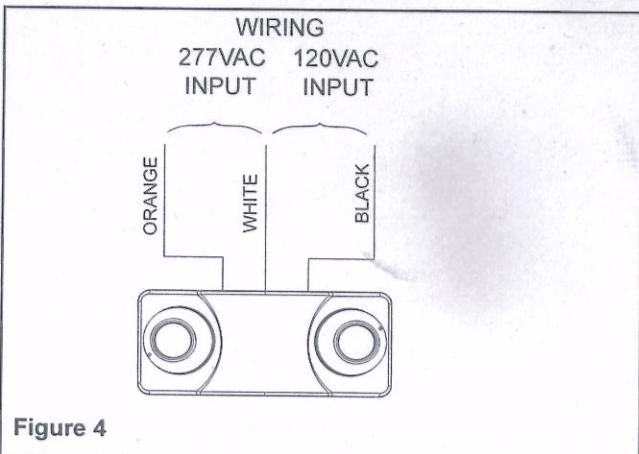


Figure 4