



TYPE: _____
 CATALOG #: _____
 NOTES: _____

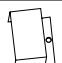

FPDL-28 Series

Convert new or existing fluorescent fixtures into emergency lighting units 750 lumen emergency ballast

Features

- Steel housing contains, battery, battery charger, transfer circuit and high frequency inverter
- Optional end caps available
- Operating temperature 68°F to 122°F (20°C to 50°C)
- Internal or external mounting to a fluorescent fixture
- One 14-50W or two 14-39W
- (2'-4') T5 and T8 lamps with instant start or rapid start or one 4-pin
- 18-50W long compact fluorescent or one 4-pin
- 32W compact fluorescent or one 24-32W U-Bend lamp
- T5 Lamps
- Long Compact Lamps
- 4-Pin Compact Fluorescent Lamps
- (1) Lamp 440-750 Lumens
- (2) Lamps 400-690 Lumens
- Can be wired to operate switched, un-switched or normally off fixtures without affecting normal operation
- Will cold start and illuminate lamps
- Fully Automatic solid state charger
- High capacity, automatic, dust-tight instantaneous transfer relay
- Low voltage disconnect prevents over discharge of battery
- Automatic brownout protection
- Battery connector prevents battery discharge during installation
- Red charger monitor LED indicates charging of the battery and AC present
- Momentary test switch allows for quick operational check of entire system
- Nickel-Cadmium battery
- Provides 90 minutes of emergency operation
- Dual voltage 120/277VAC, 60Hz, 3.7W
- UL924 Listed
- Damp location listed
- 3-year limited warranty
 Detailed warranty terms located at: www.emergi-lite.com/usa/files/EL_Warranty.pdf

Accessories (order as a separate item)

	External mounting kit includes wire bundle cover	071139-E
	Remote Test Switch (Metal faceplate)	RTS
	Remote Test Switch (Plastic faceplate)	RTS-1
	Recommended for inaccessible locations. Test switch and charging indicator on a single mounting plate.	 Charging Indicator Light Push Button Test Switch
	Replacement Test Switch	TBTSP-E

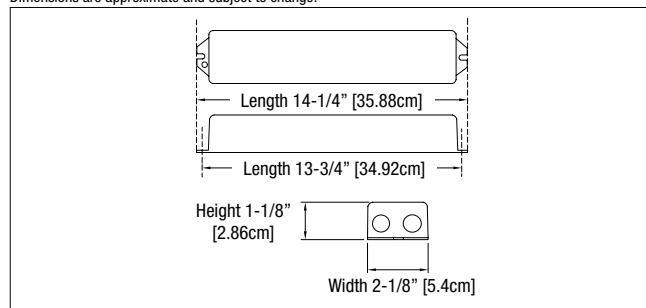
Ordering Format

SERIES
FPDL-28

EXAMPLE: **FPDL-28**

Dimensions

Dimensions are approximate and subject to change.



Compatible Lamp Chart

LAMP	VOLTAGE	WATTAGE	INITIAL LUMENS	
			1-LAMP	2-LAMP
F14W T5	120/277V	14	480	440
F21W T5		21	680	640
F24W T5/HO		24	440	410
F28W T5		28	750	690
F39W T5/HO		39	670	640
F54W T5/HO		54	600	650
F14W T8		14	450	400
F20W T8		20	550	520
F28W T8		28	625	580
F32W T8		32	700	670
F36W T8		36	680	650
F39W T8		39	620	580
F54W T8		54	500	–
F32W PLCF Quad 4pin		32	550	510
Long compact F36W		36	610	570
Long compact F40W		40	625	–
Long compact F50W	50	510	–	
PLC F30BX, 40BX, 50BX	30, 40, 50	650	–	
F24W U-BEND FBT8	24	580	550	
F32W U-BEND FBT8	32	630	600	