



TYPE: \_\_\_\_\_  
 CATALOG #: \_\_\_\_\_  
 NOTES: \_\_\_\_\_

## FPDL-HL-N Series

Convert new or existing fluorescent fixtures into emergency lighting units  
 3000 lumen emergency ballast

### Features

- Steel housing contains, battery, battery charger, transfer circuit and high frequency inverter
  - Operating temperature 32°F to 122°F (0°C to 50°C)
  - External mounting to a fluorescent fixture
  - Compatible with most one-, two-, three-, and four-lamp electronic standard and dimming AC ballast
  - Operates two 8W-54W T5/T5HO, two 17W-40W, one 17W-215W T8 through T12, two 13W-42W 4-pin compact, two 18W-50W or one 18W-55W 4-pin long compact fluorescent lamps
  - (1) Lamp 825-3000 Lumens
  - (2) Lamps 900-3000 Lumens per lamp
  - Can be wired to operate switched, un-switched or normally off fixtures without affecting normal operation
  - Will cold start and illuminate lamps
  - Fully Automatic solid state charger
  - High capacity, automatic, dust-tight instantaneous transfer relay
  - Low voltage disconnect prevents over discharge of battery
  - Automatic brownout protection
  - Battery connector prevents battery discharge during installation
  - Red charger monitor LED indicates charging of the battery and AC present
  - Momentary test switch allows for quick operational check of entire system
  - Nickel-Cadmium battery
  - Provides 90 minutes of emergency operation
  - Dual voltage 120/277VAC, 60Hz, 5.1W
  - UL924 Listed
  - Damp location listed
  - 3-year limited warranty
- Detailed warranty terms located at: [www.emergi-lite.com/usa/files/EL\\_Warranty.pdf](http://www.emergi-lite.com/usa/files/EL_Warranty.pdf)

### Accessories (order as a separate item)

Remote Test Switch (Metal faceplate)	<b>RTS</b>
Remote Test Switch (Plastic faceplate)	<b>RTS-1</b>
Recommended for inaccessible locations. Test switch and charging indicator on a single mounting plate.	<p>Charging Indicator Light          Push Button Test Switch</p>
Replacement Test Switch	<b>TBTSBA-E</b>

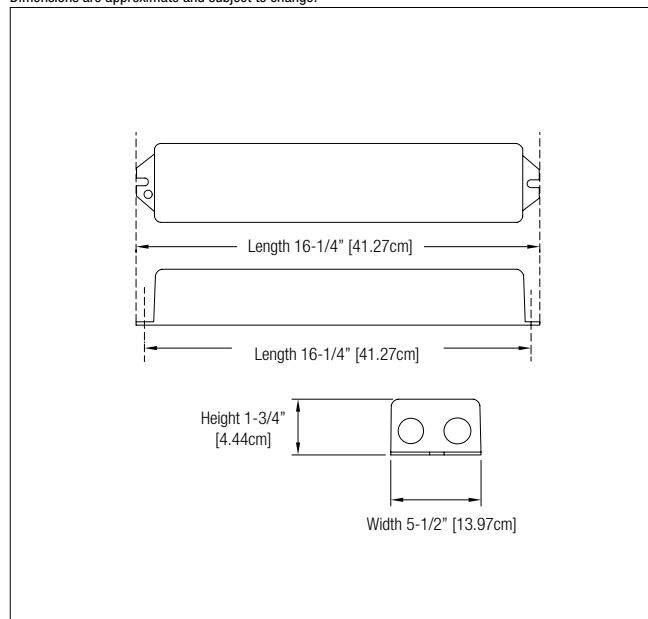
### Ordering Format

SERIES	OPTIONS
<b>FPDL-HL-N</b>	<b>Blank</b> = Standard Unit <b>-DL</b> = Damp location Listed

EXAMPLE: **FPDL-HL-N**

### Dimensions

Dimensions are approximate and subject to change.



### Compatible Lamp Chart

LAMP	VOLTAGE	WATTAGE	INITIAL LUMENS	
			1-LAMP	2-LAMPS
T5	120/277V	14W	1150	1200
T5		21W	1750	1800
T5		28W	2350	2425
T5HO		39W	2700	2850
T5HO		54W	2900	3000
T8		17W	1100	1150
T8		32W	2950	3000
T12		20W	875	900
T12		40W	2250	2400
T8		59W	2800	-
T12		110W	2950	-
T12		215W	3000	-
4-pin PL CF		13W	825	900
4-pin PL CF		18W	1100	1200
4-pin PL CF		26W	1500	1600
4-pin PL CF		32W	2200	2300
4-pin PL CF		42W	2450	2500
4-pin Long CF		18W	1250	1400
4-pin Long CF		24W	1750	1900
4-pin Long CF		36W	2200	2300
4-pin Long CF	40W	2350	2400	
4-pin Long CF	50W	2250	2400	
4-pin Long CF	55W	2500	-	