



## TOTAL™ Edge Series

### Universal Edge-Lit Exit Sign



### Standard Features

- Universal mount, surface, recessed or end-mount
- High performance low power consumption LEDs
- Peel-off chevrons
- Special wording panel not available

### Construction

- Brushed aluminum housing and black plastic end-caps, with high grade acrylic panel.
- Choice of legend colors: red on mirror or green on mirror

### Electrical

- Dual-voltage input capability 120/277 VAC
- Self-powered models feature battery delivering more than 90 minutes capacity in emergency mode

### Installation

#### Universal mount

**Surface mount:** Pivoting panel design allows for surface installation in any applications, including ceilings and walls.

**Semi recessed mount:** Includes back box and necessary hardware for joist or T-Bar ceilings and is vertically adjustable to install in most ceiling thickness. Mounting bars lock in place with two screws.

#### Listings

UL924 listed

#### Warranty

3 year full warranty, excluding lamps and fuses

### Power Consumption Chart

Model		AC Specs		DC Specs	
Red	AC Only	120VAC, 60Hz	2.0-2.6W	-	-
		277VAC, 60Hz	2.6-3.1W	-	-
	Self-Powered	120VAC, 60Hz	2.0-2.6W	Nickel-Cadmium battery	Minimum 90 Minutes
		277VAC, 60Hz	2.6-3.1W	Nickel-Cadmium battery	Minimum 90 Minutes
Green	AC Only	120VAC, 60Hz	2.8-3.3W	-	-
		277VAC, 60Hz	3.5-4W	-	-
	Self-Powered	120VAC, 60Hz	2.8-3.3W	Nickel-Cadmium battery	Minimum 90 Minutes
		277VAC, 60Hz	3.5-4W	Nickel-Cadmium battery	Minimum 90 Minutes

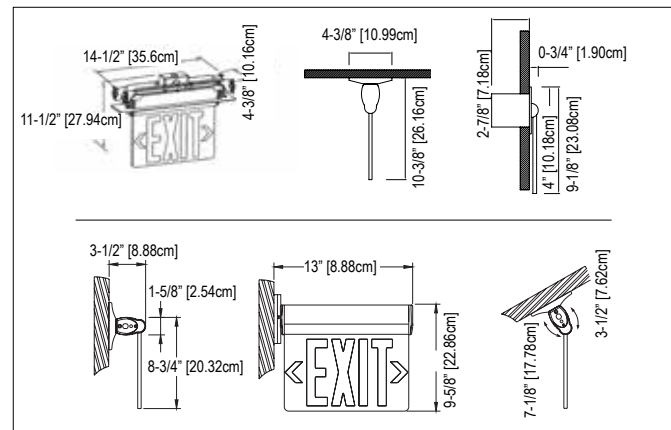
### Suggested Specification

Supply and install the EMERGI-LITE® TOTAL™ Edge Series Edge-Lit Exit Sign. The housing assembly shall be fabricated of extruded aluminum with a satin aluminum finish. The canopy shall be of impact resistant thermoplastic and allow for ceiling, wall or end mount installations. The light source shall be long-life LEDs installed on a PCB strip. The legend shall be printed on an acrylic panel with mirror background. The panel shall be universal faces (single and double) and shall rotate and lock to position from 0° to 180° to allow for wall, ceiling or sloped ceiling installations. The unit shall be equipped with peel-off translucent directional chevrons, to be configured in the field as required by the Code. All models shall be provided with a hardware kit including two 27-inch adjustable bar hangers for recessed installation in a ceiling or wall. AC only models shall have a dual input voltage of 120/277VAC 60Hz. Self-Powered models shall have a dual input voltage of 120/277VAC 60Hz, be supplied with sealed Nickel-Metal Cadmium maintenance free battery, and perform minimum 90 minutes of emergency illumination upon AC failure. The equipment shall be UL-924 listed for Damp location 32°F to 104°F (0°C to 40°C).

The equipment shall be EMERGI-LITE® model: \_\_\_\_\_.

### Outline and Dimensions

Dimensions are approximate and subject to change.



### How to Order

Series	Color	Legend
PA= AC Only PN= Self-Powered PA2= AC only Dual Circuit	R= Red on mirror G= Green on mirror	6= 6" EXIT Single & Double face with universal chevrons

EXAMPLE: PAR6