



TOTAL™ Edge Series

Universal Edge-Lit Exit Sign

An attractive design in a “All in one box” solution.

Standard Features

- Universal mount, surface, recessed or end-mount
- High performance low power consumption LEDs
- Peel-off chevrons
- Special wording panel not available

Construction

- Brushed aluminum housing and black plastic end-caps, with high grade acrylic panel.
- Choice of legend colors: red on mirror or green on mirror

Electrical

- Dual-voltage input capability 120/277 VAC
- Self-powered models feature battery delivering more than 90 minutes capacity in emergency mode

Installation

Universal mount

Surface mount: Pivoting panel design allows for surface installation in any applications, including ceilings and walls.

Semi recessed mount: Includes back box and necessary hardware for joist or T-Bar ceilings and is vertically adjustable to install in most ceiling thickness. Mounting bars lock in place with two screws.

Listings

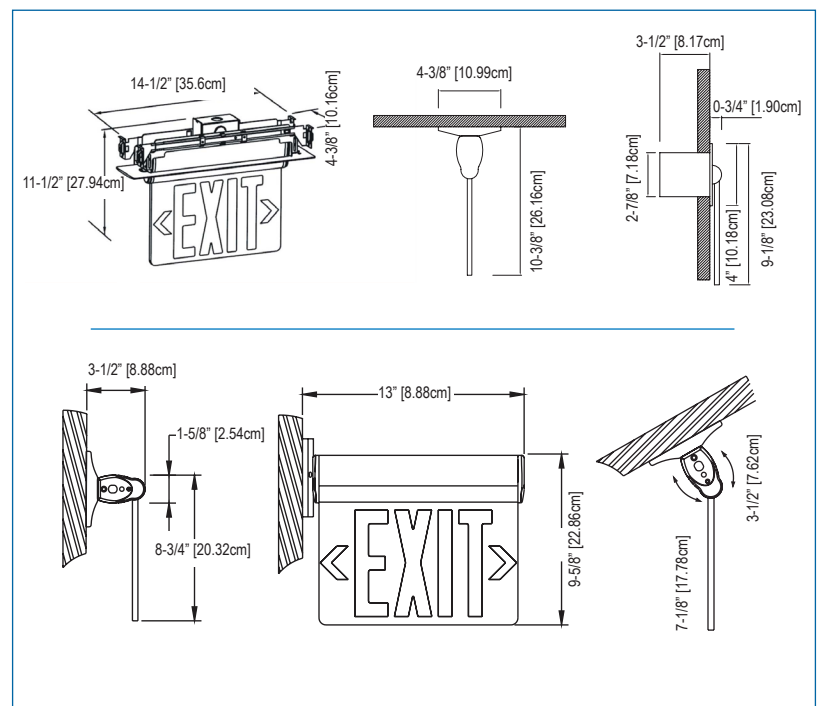
UL924 listed

Warranty

3 year full warranty, excluding lamps and fuses

Outline and Dimensions

Dimensions are approximate and subject to change.



Power Consumption

Model		AC Specs		DC Specs	
Red	AC Only	120VAC, 60Hz	2.0-2.6W	-	-
		277VAC, 60Hz	2.6-3.1W	-	-
	Self-Powered	120VAC, 60Hz	2.0-2.6W	Nickel-Cadmium battery	Minimum 90 Minutes
		277VAC, 60Hz	2.6-3.1W	Nickel-Cadmium battery	Minimum 90 Minutes
Green	AC Only	120VAC, 60Hz	2.8-3.3W	-	-
		277VAC, 60Hz	3.5-4W	-	-
	Self-Powered	120VAC, 60Hz	2.8-3.3W	Nickel-Cadmium battery	Minimum 90 Minutes
		277VAC, 60Hz	3.5-4W	Nickel-Cadmium battery	Minimum 90 Minutes

How to Order (example)

PA	R	6
Series PA= AC Only PN= Self-Powered PA2= AC only Dual Circuit	Color R= Red on mirror G= Green on mirror	Legend 6= 6" EXIT Single & Double face with universal chevrons