

PROJECT: TYPE:

LOCATION: CAT:



Description

The Double Flange extrusion is perfect for recessed applications with 1/8" flanges on either edge for a finished look.

Features

- Extruded aluminum construction
- Use tape light, lens, and end caps to create a complete fixture (tape light and accessories sold separately)

Mounting

Recess mount via 3M® double-sided adhesive tape or construction adhesive; Fits in 5/8" wide x 1/2" deep channels

Applications

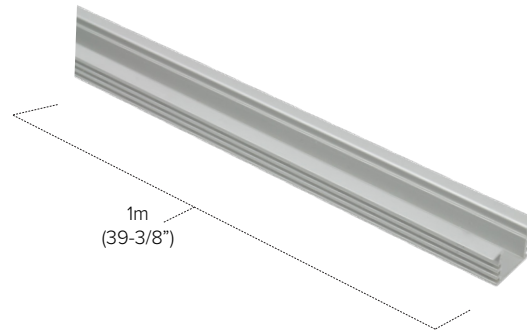
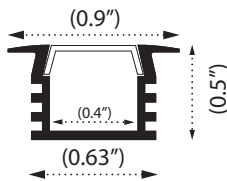
Stairs, handrails, display shelving and cases, niche and accent lighting

Warranty

3 years

Technical Information

Profile Dimensions






Ordering Information

Double Flange Extrusion	MODEL	TYPE	LENGTH
	PE	AA2DF	1M

PE-AA2DF-1M includes:
(1) 1M Double Flange extrusion

Accessories

Image	Part Number	Description
	PE-UVLENS-1M	1 meter frosted polycarbonate lens for Double Flange extrusion; UV Resistant/Flame Retardant
	PE-AA2DF-END	Polypropylene plastic end cap for Double Flange extrusion
	3M-TAPE-10	1/2" x 4" Length Strips of 3M® double-sided adhesive tape (Bag of 10)