

INSTALLATION INSTRUCTIONS
DMX-1Z-3P



⚠ WARNING

These products may represent a possible shock or fire hazard if improperly installed or attached in any way. Products should be installed in accordance with these instructions, current electrical codes, and/or the current National Electric Code (NEC).

⚠ WARNING

This controller requires a 12-24V DC power supply (LED-DR series driver sold separately). Disconnect supply power at the source prior to installation.

SAFETY INFORMATION

- Read all instructions before beginning; Save these instructions for future use.
- To reduce the risk of fire, electric shock, or injury to persons, pay close attention to this manual and stay within its guidelines when using this product.
- This controller is rated IP20; avoid the sun and moisture.
- Avoid using controller in areas where extreme hot, cold, dust, or humidity exist.
- This controller is suitable for indoor, dry locations only.
- Always be sure to mount this controller in an area with proper ventilation to avoid overheating.

INSTALLING CONTROLLER (SEE FIGURES 1 & 2):

This controller requires a 12-24V DC power supply (LED-DR series driver sold separately).

This controller requires a DMX512 Signal receiver for operation (REC-DMX-5A-4Z or REC-DMX-5A-4Z-PLUS sold separately).

1. Determine desired location of controller. Cut a hole approximately 1-3/4" wide x 2-5/8" high.
2. At the base of the controller, there is a slot where the faceplate meets the mounting plate. Insert a flathead screwdriver into the slot to pop the two pieces apart.
3. Bring 12-24V DC supply power to the controller, matching polarity (See Figure 2).
4. Connect controller to DMX512 receiver, matching inputs and outputs: Ground to Ground, D- to D-, D+ to D+ (See Figure 2).
5. Set the mounting plate into the 1-3/4" x 2-5/8" cut hole.
6. Secure mounting plate to mounting surface with appropriate screws on both the top and bottom of the controller. (Controller includes two #8-32 screws for optional single-gang switch j-box mounting; j-box not included)
7. Set faceplate cover over installed mounting plate and snap into place.

FIGURE 1

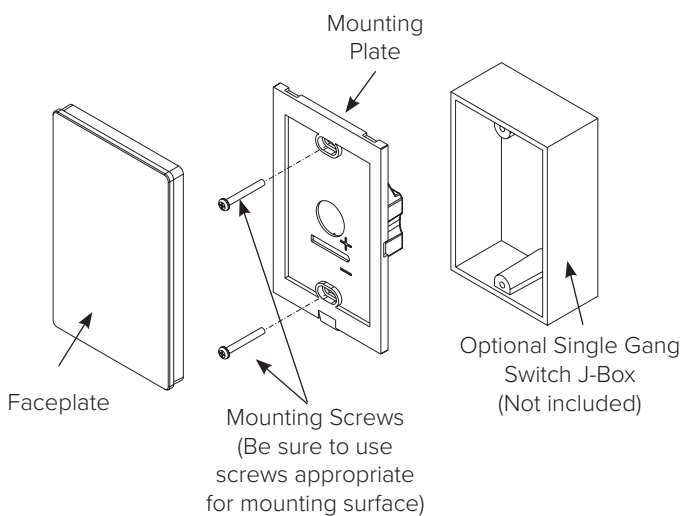
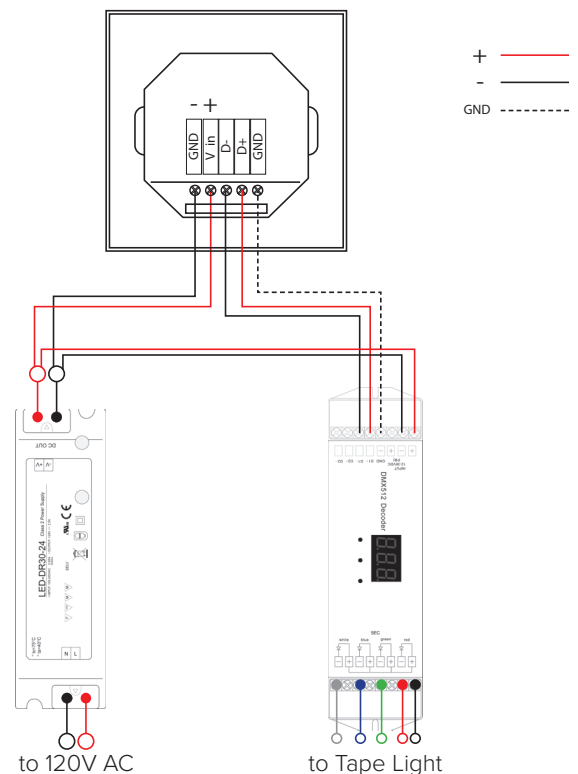


FIGURE 2



to 120V AC
to Tape Light
Controllers and receivers may be powered by the same driver on the secondary side

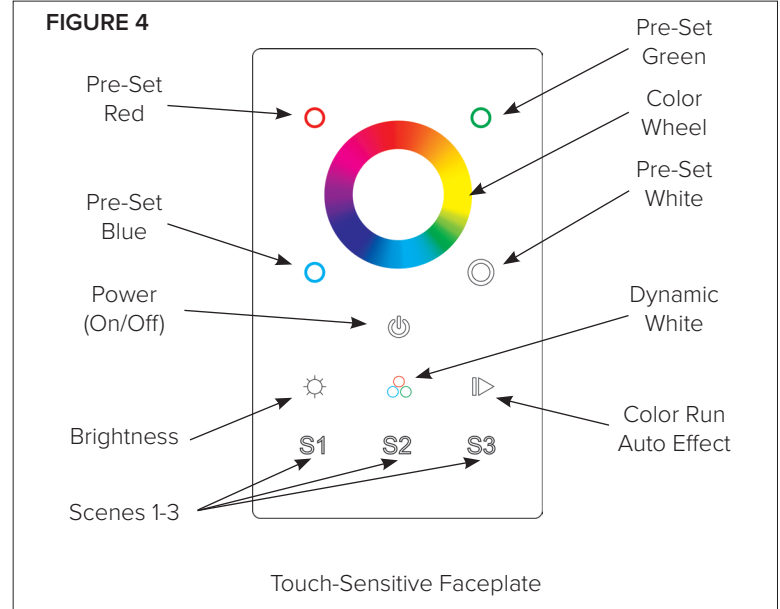
INSTALLATION INSTRUCTIONS
DMX-1Z-3P



OPERATING CONTROLLER (SEE FIGURE 4):

This controller requires a 12-24V DC power supply (LED-DR series driver sold separately).

1. Touch the power icon for On/Off power control.
2. To select an individual RGB+WW color, touch one of the pre-set color icons for Red, Blue, Green, or White.
3. To manually adjust color setting, touch and slide the color wheel for RGB+WW control.
4. To adjust brightness, touch and hold the brightness icon.
5. To utilize dynamic white, touch the dynamic white icon to toggle through Warm White, Bright White, and Cool white built from RGB+WW
6. To utilize color run auto effect, touch the color run auto effect icon to start or pause effect; press and hold to adjust speed.
7. To save a scene, determine desired settings, touch and hold scene icon for 2 seconds. Memory will hold 3 scenes per zone.
8. To select a scene, touch one of the three scene icons once.



CARE AND MAINTENANCE:

1. For cleaning, use a soft, dry or damp cloth. Do not use harsh chemicals or abrasives.