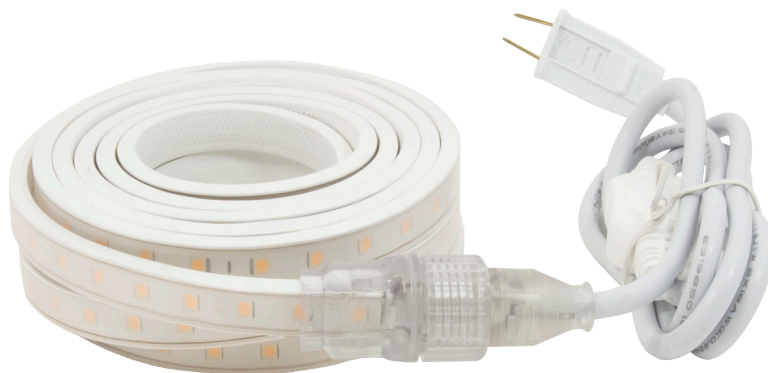




AMERICAN LIGHTING
BRIGHT IDEAS • INNOVATIVE SOLUTIONS

HYBRID 2 RGB

Installation INstructions
RGB-H2 Series



INSTALLATION INSTRUCTIONS

RGB-H2 Series



⚠ WARNING

These products may represent a possible shock or fire hazard if improperly installed or attached in any way. Products should be installed in accordance with these instructions, current electrical codes, and/or the current National Electric Code (NEC).

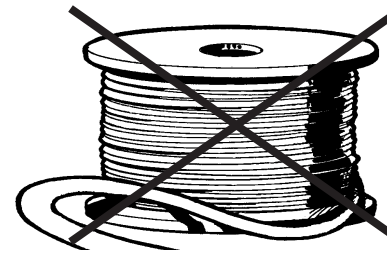
⚠ WARNING

120V Hybrid 2 RGB is cETLus Listed and interconnectable up to 150ft. Safety rating is void if cut or altered.

⚠ WARNING

This product requires the use of additional controllers (sold separately) for operation. See page 3 for control/power options. To reduce the risk of fire, electric shock or injury to persons, use this flexible light only with American Lighting recommended drivers, controllers, power connectors, jumpers and extensions.

⚠ WARNING



Do not operate Hybrid 2 RGB while it is coiled.

⚠ WARNING

To reduce the risk of fire, electric shock or injury to persons, make sure that the electrical power to the fixture is disconnected at the source prior to installation or any servicing.

SAFETY INFORMATION

- Read all installation instructions before beginning; if not qualified, do not attempt installation. Contact a qualified electrician.
- To reduce the risk of fire, electric shock, or injury to persons, pay close attention to this manual and stay within its guidelines when using this product. Save these instructions for future use.
- Do not cover this product as the covering may cause rope to overheat, melt, or ignite.
- Do not operate Hybrid 2 RGB while it is tightly coiled.
- Do not submerge flexible light in liquids, or use the product in the vicinity of standing water or other liquids.
- Do not route the cord or Hybrid 2 RGB through walls, ceilings, doors, windows, or any similar part of the building structure.
- Secure this flexible light using only the mounting clips provided or factory recommended mounting clips, track, or channel (sold separately).
- Do not secure this product or its cord with staples, nails, or like means that may damage the insulation.
- Do not use if there is any damage to the PVC housing or power cord insulation; inspect periodically.
- Do not install on gates or doors, where subject to continuous flexing.
- Do not install in tanks or enclosures of any kinds.
- Avoid pressing on the individual LEDs; LEDs are encased in silicone and pressure from above may damage the internal circuitry.
- Follow instructions carefully when extending Hybrid 2 RGB or attaching power cords/controllers. Ensure that all connections, including the end cap on the last segment, are sealed tightly to preclude the entrance of water (outdoor applications).
- **120V Hybrid 2 RGB is cETLus Listed, but this safety rating is void if cut.** Cutting the Hybrid 2 RGB and/or altering the fixture in any way including, but not limited to cutting, splicing, and/or adding any non-recommended power accessories will void the cETLus Listing.
- This product is for decorative use only. Not to be used by children as a toy. Keep out of reach of small children.
- Do not exceed 150ft maximum run distance in any single run.

⚠ WARNING

When using outdoor portable lighting products, basic safety precautions should always be followed to reduce the risk of fire, electric shock, and personal injury, including the following:

- Use dielectric grease and shrink tube at all power connections, including end cap when using outdoors.
- Use ground fault circuit interrupter (GFCI) protection on the circuit(s) or outlet(s) when using outdoors.
- Use only UL approved outdoor extension cords, such as type SW, SOW, STW, STOW, SJW, SJOW, SJTW, or SJTOW. This designation is marked on the jacket of the extension cord.

PRODUCT INFORMATION

Hybrid 2 RGB is sold in 3ft, 12ft, 30ft, and 45ft extendable lengths. Each length includes molded male/female connections and (1) plastic mounting clip per foot of length. Mounting accessories include RGB-H2-CLIPS-AL (bag of ten aluminum mounting clips), RGB-CHAN-3 (3ft aluminum mounting channel); all sold separately. Jumpers (linking extensions) include 6", 3ft, 10ft, and 20ft lengths. Hybrid 2 RGB requires the use of additional controllers for operation (sold separately). See page 3 for additional operation mode options.

Power consumption = 2.7 W/ft; Maximum run = 150 feet (per controller; DMX 512 signal limited to 700ft max)

INSTALLATION INSTRUCTIONS

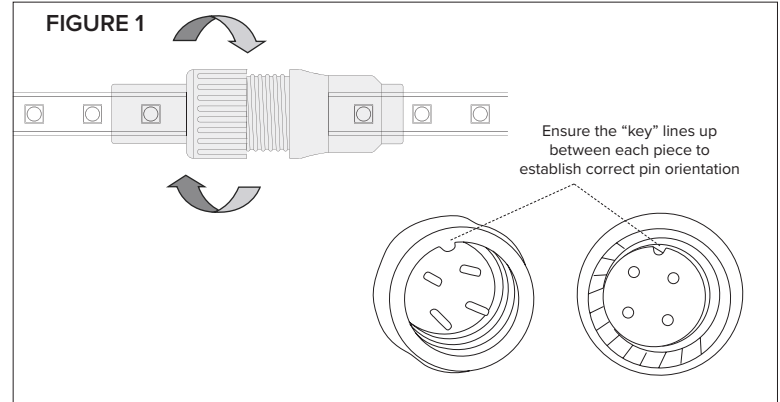
RGB-H2 Series



CONNECTING HYBRID 2 RGB (See Figure 1):

Note: When connecting multiple lengths of Hybrid 2 RGB together, do not exceed the maximum run length as noted by the tag on the cord: 150ft max

1. Turn the plastic end cap counter-clockwise to remove from the first piece.
2. Connect mating ends by plugging the male and female halves into each other. Ensure the “key” lines up between each piece to establish correct pin orientation then tighten the screw-on connection securely. See Figure 1.



CHOOSE A MODE OF OPERATION (SEE FIGURES 3-6):

This product has a variety of ways it can be controlled that require additional accessories/controllers for operation (sold separately).

Mode of operation A (See Figure 1 and below): Infrared Controller + Receiver Combo

- This mode of operation requires the use of RGB-H2-IR-5A (sold separately)

Mode of operation B (See Figure 2): Standalone Mode with RGB-H2-CTRL

- This mode of operation requires the use of RGB-H2-CTRL (sold separately)

Mode of operation C (See Figure 3): External DMX Master Controller with RGB-H2-CTRL (XLR3 connection)

- This mode of operation requires the use of RGB-H2-CTRL, RGB-H2-XLR3-PT, and an external DMX master controller (both sold separately)

Mode of operation D (See Figure 4): Trulux Radio Frequency Controller

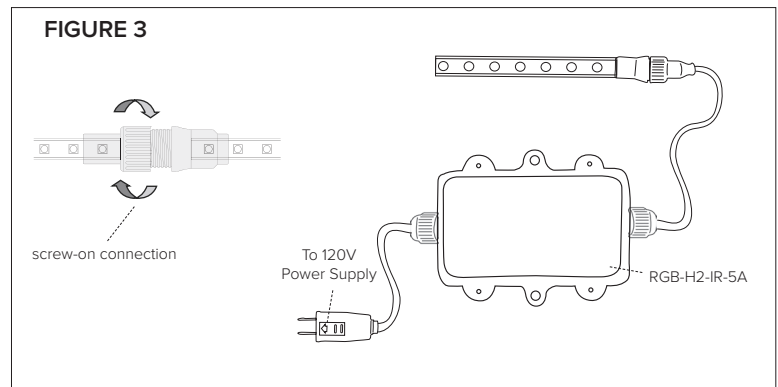
- This mode of operation requires the use of RGB-H2-CTRL, RGB-H2-REC-RF, and a Trulux RGB/RGBW RF Controller (all sold separately)

MODE OF OPERATION A (See Figures 1 and 3):

Infrared Controller + Receiver Combo

This mode of operation requires the use of RGB-H2-IR-5A (sold separately). RGB-H2-IR-5A is rated for the following: 100-240V AC input, 3x 1.67A output current, -20°C - 60°C, and is designed for use with RGB-H2 series only.

1. Determine appropriate location for Infrared Controller: ensure the controller can “see” the infrared remote when in use.
2. Turn the plastic end cap on first length of Hybrid 2 RGB counter-clockwise to remove.
3. Connect the RGB-H2-IR-5A and Hybrid 2 RGB together via mating ends. Ensure the “key” lines up between each piece to establish correct pin orientation then tighten the screw-on connection securely. See Figure 1.
4. Plug AC input power cord from RGB-H2-IR-5A into a 120V power supply.
5. Controller functions are as follows:



Brightness +	Brightness -	Off	On
Static Red	Static Green	Static Blue	Static White
Static Orange	Static Yellow	Static Cyan	Static Purple
Auto Change	3 color change	3 color fade	Speed 1
Flash	7 color change	7 color fade	Speed 2



INSTALLATION INSTRUCTIONS

RGB-H2 Series

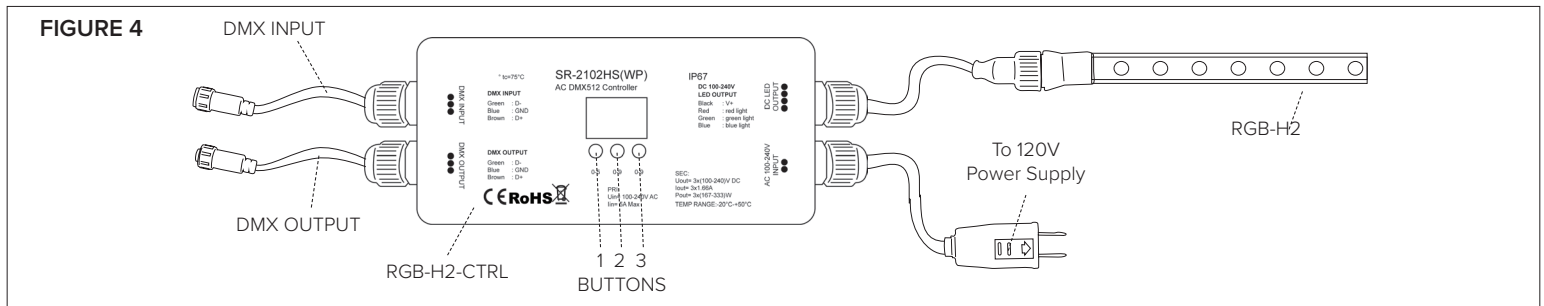


MODE OF OPERATION B (See Figures 1 and 4):

Standalone Mode with RGB-H2-CTRL

This mode of operation requires the use of RGB-H2-CTRL (sold separately). RGB-H2-CTRL is rated for the following: 100-240V AC input, 3x 1.66A output current, -20°C - 50°C, and is designed for use with RGB-H2 series only.

1. Turn the plastic end cap on first length of Hybrid 2 RGB counter-clockwise to remove.
2. Connect the RGB-H2-CTRL and Hybrid 2 RGB together via mating ends. Ensure the “key” lines up between each piece to establish correct pin orientation then tighten the screw-on connection securely. See Figure 1.
3. Plug AC input power cord from RGB-H2-CTRL into a 120V power supply.
4. To select a mode on RGB-H2-CTRL, press and hold buttons 1 and 2 (see Figure 4) simultaneously for 2 seconds until the digital display flashes. Use button 3 to select ‘Ru1’ mode for standalone operation.
5. To set channels, press and hold buttons 2 and 3 (see Figure 4) simultaneously for 2 seconds until the digital display flashes. Use button 1 to select 3 channels.
6. RGB-H2-CTRL can be interconnected (DMX 512 signal limited to 700ft max run) by connecting the ‘DMX Output’ cable from first RGB-H2-CTRL unit to ‘DMX Input’ cable from second RGB-H2-CTRL unit; Tighten the screw on connection covers securely. RGB-H2-CTRL-EC15 signal linking cables are also available to increase distance between controllers (also sold separately). See Figure 7.
7. To utilize standalone mode, enter ‘Ru1’ mode by following step 4. Use button 1 (see Figure 4) to toggle through control types: C (color select; 9 total: red, warm white, yellow, green, blue, indigo, purple, magenta, cool white), P (preset effects; 10 total: P-0 fade between YE/GR.BL/PU/RE/OR, P-1 fade between BL/TE/GR/YE/CW/PU, P-2 fade between CW/PU/BL/TE/CW/WW/YE/OR/RE/WW, P-3 jump between GR/TE/CW/BL/PU/CW, P-4 fade in fade out between BL/RE/GR, P-5 fade in between BL/RE/GR, P-6 fade out between BL/RE/GR, P-7 jump between BL/RE/GR, P-8 fade between bright complimentary colors, P-9 fade between CW/WW/YE/BL/PU/OR/GR/TE), S (speed: 0=max, 9=min), and B (brightness 0=min, 9=max). Use button 3 to toggle through selections for each control type (C, P, S, B).

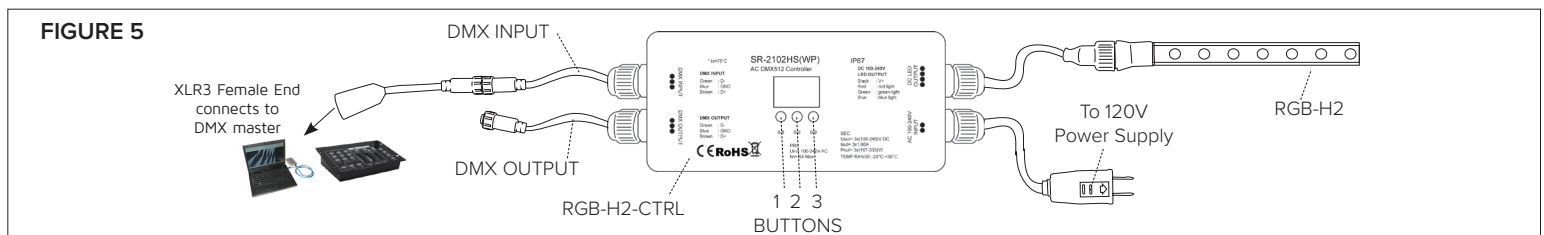


MODE OF OPERATION C (See Figures 1 and 5):

External DMX Master Controller with RGB-H2-CTRL (XLR3 connection)

This mode of operation requires the use of RGB-H2-CTRL, RGB-H2-XLR3-PT, and an external DMX master controller (both sold separately). RGB-H2-CTRL is rated for the following: 100-240V AC input, 3x 1.66A output current, -20°C - 50°C, and is designed for use with RGB-H2 series only.

1. Turn the plastic end cap on first length of Hybrid 2 RGB counter-clockwise to remove.
2. Connect the RGB-H2-CTRL and Hybrid 2 RGB together via mating ends. Ensure the “key” lines up between each piece to establish correct pin orientation then tighten the screw-on connection securely. See Figure 1.
3. Connect the RGB-H2-CTRL to an external DMX master controller via RGB-H2-XLR3-PT (sold separately) XLR3 connection.
4. Plug AC input power cord from RGB-H2-CTRL into a 120V power supply.
5. To select a mode on RGB-H2-CTRL, press and hold buttons 1 and 2 (see Figure 5) simultaneously for 2 seconds until the digital display flashes. Use button 3 to select ‘Ru2’ mode for DMX control operation.
6. To set channels, press and hold buttons 2 and 3 (see Figure 5) simultaneously for 2 seconds until the digital display flashes. Use button 1 to select 3 channels.
7. To set DMX address, press and hold button 1 for 2 seconds until the digital display flashes. Use buttons 1, 2, and 3 to select address, then press and hold any button for 2 seconds to confirm.
8. RGB-H2-CTRL can be interconnected (DMX 512 signal limited to 700ft max run) by connecting the ‘DMX Output’ cable from first RGB-H2-CTRL unit to ‘DMX Input’ cable from second RGB-H2-CTRL unit; Tighten the screw on connection covers securely. RGB-H2-CTRL-EC15 signal linking cables are also available to increase distance between controllers (also sold separately). See Figure 7.
9. Follow the external DMX controller’s instructions to control RGB-H2 series once connected.



INSTALLATION INSTRUCTIONS

RGB-H2 Series



Mode of operation D (See Figures 1 and 6):

Trulux Radio Frequency Controller

This mode of operation requires the use of RGB-H2-CTRL, RGB-H2-REC-RF, and a Trulux RGB/RGBW RF Controller (RF-RGBW-3Z, RF-RGBW-3AAA, or RF-RGBW-USB all sold separately). RGB-H2-CTRL is rated for the following: 100-240V AC input, 3x 1.66A output current, -20°C - 50°C, and is designed for use with RGB-H2 series only.

1. Turn the plastic end cap on first length of Hybrid 2 RGB counter-clockwise to remove.
2. Connect the RGB-H2-CTRL and Hybrid 2 RGB together via mating ends. Ensure the “key” lines up between each piece to establish correct pin orientation then tighten the screw-on connection securely. See Figure 1.
3. Connect the ‘DMX input’ cord from RGB-H2-CTRL to the ‘DMX output’ cord from RGB-H2-REC-RF. Tighten the screw-on connection securely. Each zone will require one (1) RGB-H2-REC-RF.
4. Plug AC input power cord from RGB-H2-REC-RF and the AC input power cord from RGB-H2-CTRL into a 120V power supply.
5. To select a mode on RGB-H2-CTRL, press and hold buttons 1 and 2 (see Figure 6) simultaneously for 2 seconds until the digital display flashes. Use button 3 to select ‘Ru2’ mode for DMX + RF control operation.
6. To set channels, press and hold buttons 2 and 3 (see Figure 6) simultaneously for 2 seconds until the digital display flashes. Use button 1 to select 3 channels.
7. For single zone operation, (1 or more Radio Frequency controllers controlling 1 or more sets of RGB-H2 series synchronously), utilize address 001. For multiple zone operation, (multiple Radio Frequency controllers controlling multiple sets of RGB-H2 individually), set the addresses in multiples of 4 (e.g. 001 - 005 - 009 - 013 - 017 - etc) with each address signifying a zone. To set DMX address, press and hold button 1 for 2 seconds until the digital display flashes. Use buttons 1, 2, and 3 to select address, then press and hold any button for 2 seconds to confirm. As a note, there can be only one dedicated address per zone; more than one RGB-H2-CTRL can share the same address and be controlled as a single zone.
8. RGB-H2-CTRL can be interconnected (DMX 512 signal limited to 700ft max run) by connecting the ‘DMX Output’ cable from first RGB-H2-CTRL unit to ‘DMX Input’ cable from second RGB-H2-CTRL unit; Tighten the screw on connection securely. RGB-H2-CTRL-EC15 signal linking cables are also available to increase distance between controllers (also sold separately). See Figure 7.
9. To sync a Trulux Radio Frequency controller with RGB-H2-REC-RF, first ensure the Radio Frequency controller to be powered on. Press the learning key on the first RGB-H2-REC-RF of the zone to be controlled; The red indicator light on the RGB-H2-REC-RF should flash. If applicable, press the chosen zone button on the Radio Frequency controller, then touch and scroll the color wheel to complete sync. Press and hold the “Learning Key” to clear out saved sync data when wanting to reset scenes or zones.
10. Follow the instructions for the respective Trulux Radio Frequency controller (sold separately) for specific color control information.

FIGURE 6

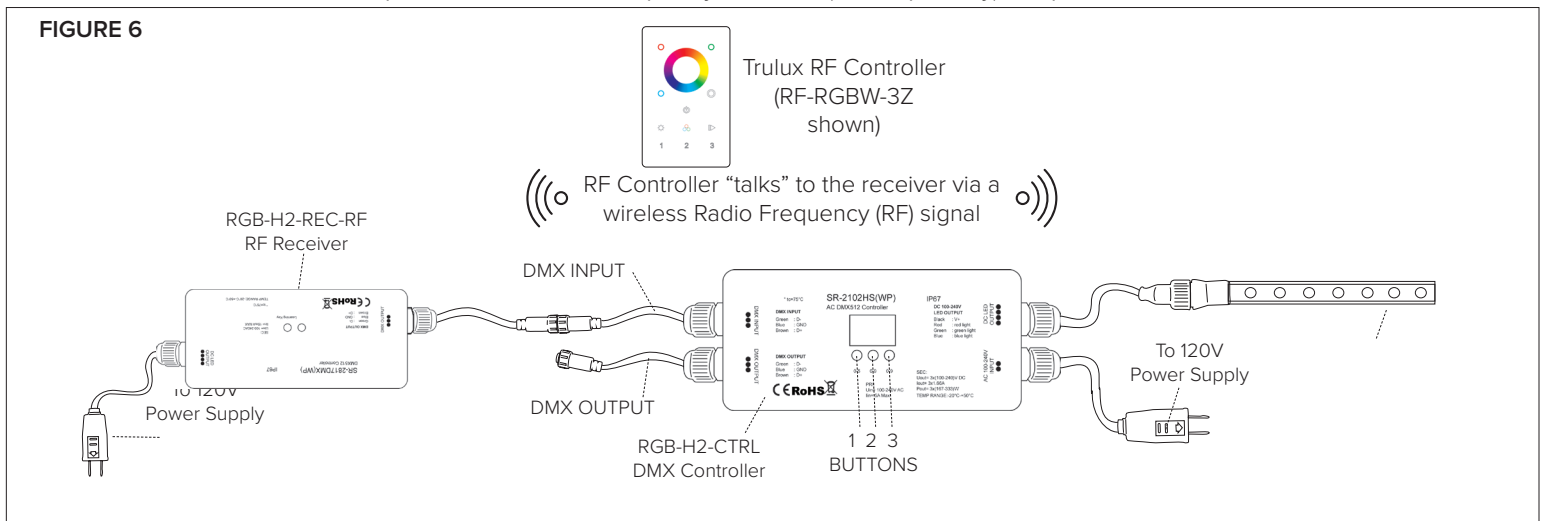
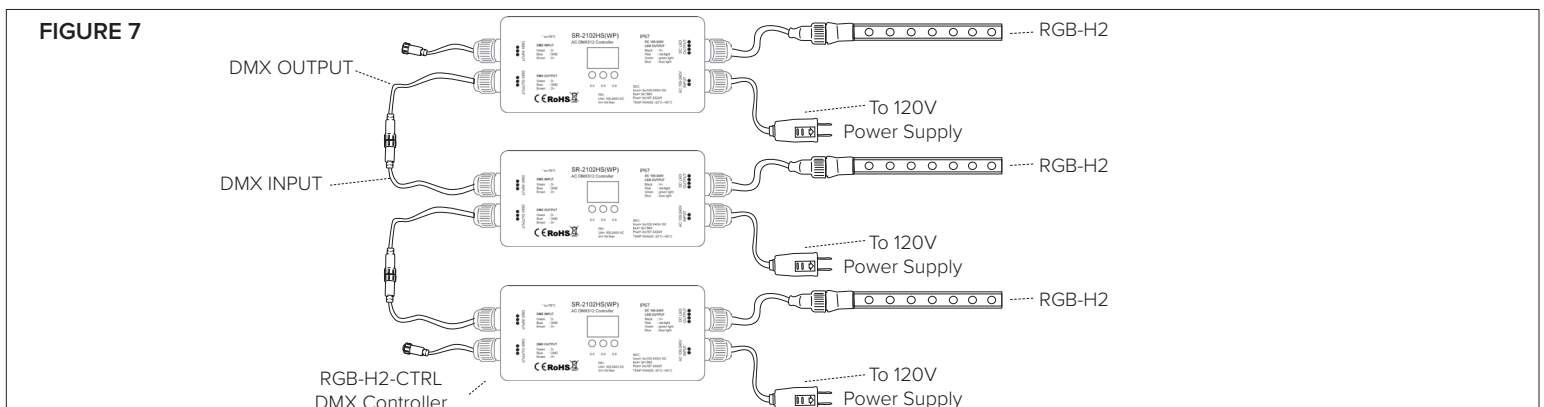


FIGURE 7



INSTALLATION INSTRUCTIONS

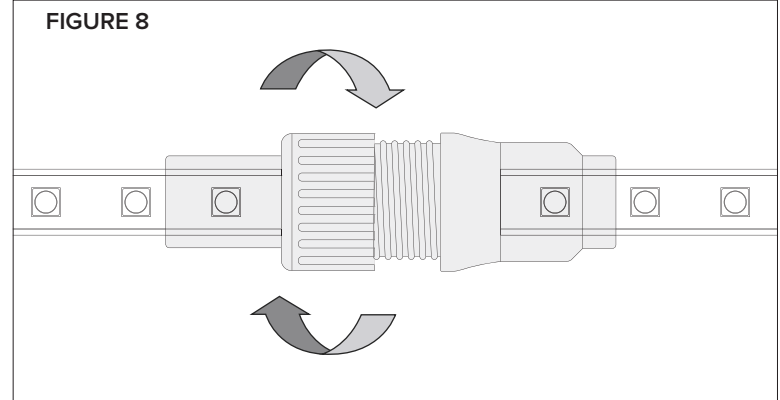
RGB-H2 Series



EXTENDING HYBRID 2 RGB (See Figure 8):

Note: When connecting multiple lengths of Hybrid 2 RGB together, do not exceed the maximum run length as noted by the tag on the cord: 150ft max

1. Turn the plastic end cap counter-clockwise to remove from the first kit.
2. Remove power cord from the second kit.
3. Connect the kits by plugging the male and female halves into each other. Ensure the "key" lines up between each piece to establish correct pin orientation then tighten the screw-on connection securely. See Figure 1.
4. Repeat steps 1, 2, and 3 for any additional kits.
5. Turn the plastic end cap clockwise until it is firmly tightened and secured on the end of the last kit.



MOUNTING:

When mounting vertically, ensure the weight of the product is supported by mounting track to prevent strain on the internal copper circuit board.

- WITH MOUNTING CLIPS:

(Plastic mounting clips included; RGB-H2-CLIPS-AL sold separately)

Ensure power is off at source prior to mounting. Avoid pressing directly on LED diodes; press at edges of Hybrid 2 RGB.

1. Attach mounting clips provided using nails or screws. Be sure that the mounting surface is mechanically sound.
 2. Mounting clips should be evenly spaced and be a maximum of 12 inches apart.
- Make sure that the distance between two separate/nearby lines of Hybrid 2 RGB are at least 1/2" apart to ensure heat distribution.

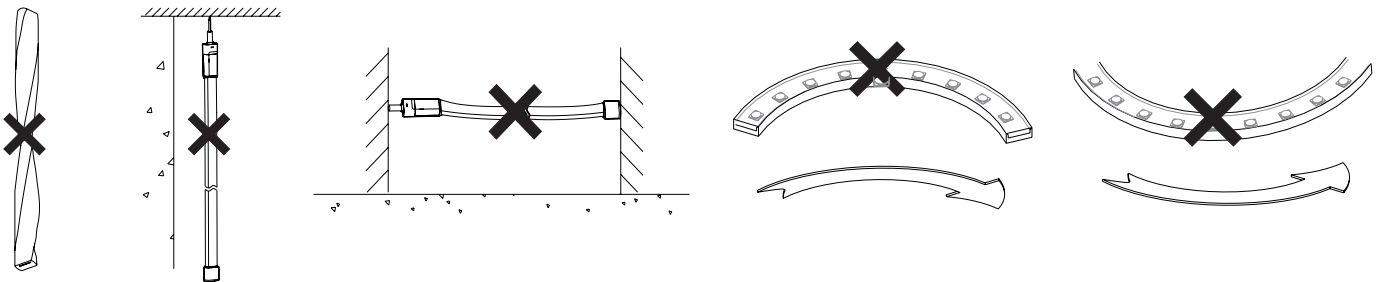
- WITH TRACK OR CHANNEL:

(RGB-H2-CHAN-3 sold separately)

Ensure power is off at source prior to mounting. Avoid pressing directly on LED diodes; press at edges of Hybrid 2 RGB.

1. Using appropriate fasteners, attach mounting track/channel to a mechanically sound surface.
2. Gently press Hybrid 2 RGB onto track/channel so that it snaps into place and the Hybrid 2 RGB does not move.

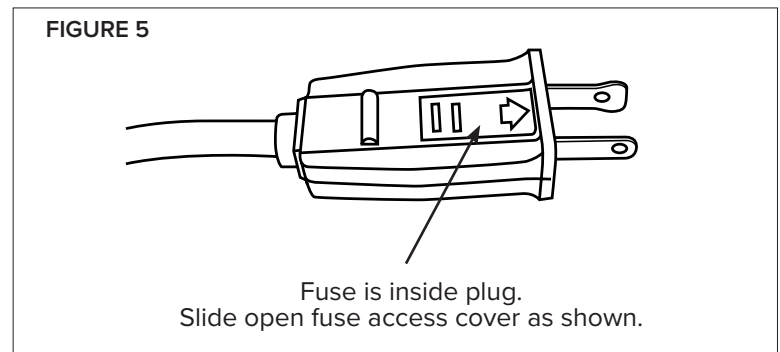
DO NOT TWIST, HANG VERTICALLY, SUSPEND UNSUPPORTED IN THE MIDDLE, OR BEND ALONG SHORT SIDE



TO REPLACE FUSE (SEE FIGURE 5):

The plugs on both the RGB-H2-IR-5A and RGB-H2-CTRL contain an electrical fuse as a safety feature.

1. Disconnect power before replacing the fuse.
2. Grasp plug and remove from the receptacle or other outlet device.
3. Do not unplug by pulling on the cord.
4. Slide open the fuse access cover (See figure 5).
5. Remove old fuse carefully.
6. Never attempt to replace the fuse with a higher wattage fuse. Use only 8Amp 125Volt fuse. Failure to do so may be a fire hazard. (One spare fuse is included; stored inside plug for convenience)
7. Set new fuse in holder and close fuse access cover.



CARE AND MAINTENANCE:

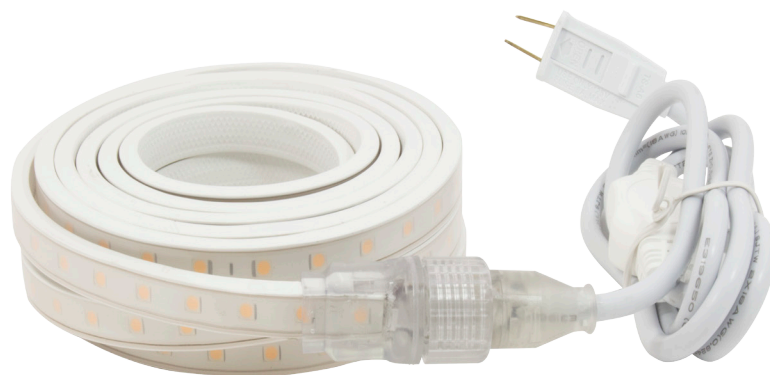
1. For cleaning, use a soft, dry or damp cloth. Do not use harsh chemicals or abrasives.



AMERICAN LIGHTING
BRIGHT IDEAS • INNOVATIVE SOLUTIONS

HYBRID 2 RGB SYSTÈME DE BASE

INSTRUCTIONS POUR L'INSTALLATION
RGB-H2 Series & RGB-H2-CTRL



INSTRUCTIONS POUR L'INSTALLATION
 RGB-H2 Series & RGB-H2-CTRL

⚠ AVERTISSEMENT

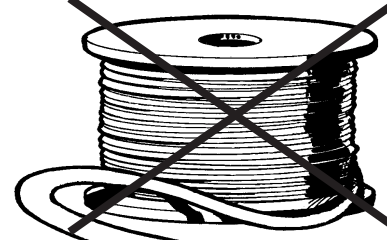
Ces produits peuvent représenter un risque d'électrocution ou d'incendie si incorrectement installés ou fixés de quelque façon. Les produits doivent être installés conformément à ces instructions, aux codes électriques locaux et/ou au Code national de l'électricité (NEC) actuel.

⚠ AVERTISSEMENT

120V Hybrid 2 RGB sont listés cETLus et interconnectables jusqu'à 150ft. La note de sécurité est nulle si un kit est coupé ou modifié.

⚠ AVERTISSEMENT

Ce produit nécessite l'utilisation de RGB-H2-CTRL (vendu séparément) pour le fonctionnement. Voir page 3 pour les options de contrôle / d'alimentation. Pour réduire les risques d'incendie, de choc électrique ou de blessures, utilisez cette lumière flexible uniquement avec les drivers, les contrôleurs, les connecteurs d'alimentation, les cavaliers et les extensions recommandés par American Lighting.

⚠ AVERTISSEMENT


Ne pas utiliser Hybrid 2 RGB lorsqu'il est enroulé sur la bobine.

⚠ AVERTISSEMENT

Afin de réduire le risque d'incendie, de choc électrique ou de blessure, veuillez vous assurer que l'alimentation électrique de l'appareil est débranchée à la source avant l'installation ou tout entretien.

INFORMATIONS DE SÉCURITÉ

- Lisez toutes les instructions d'installation avant de commencer ; si vous n'êtes pas qualifiés, n'essayez pas de l'installer. Contactez un électricien qualifié.
- Pour réduire les risques d'incendie, de choc électrique ou de blessures corporelles, prêter une attention particulière à ce manuel et respecter ses consignes de sécurité concernant l'utilisation de ce produit. Conservez ces instructions à titre de référence ultérieure.
- Ne pas couvrir ce produit car le revêtement peut causer une surchauffe, la fonte ou l'allumage du câble.
- Ne pas utiliser Hybrid 2 RGB lorsqu'il est bien enroulé.
- Ne pas plonger la lumière flexibles dans les liquides, ou ne pas utiliser le produit à proximité d'eau stagnante ou d'autres liquides
- Ne pas enrouler le cordon ou Polar 2 Neon à travers les murs, les plafonds, les portes, fenêtres ou toute autre partie comme de la structure du bâtiment.
- Fixer cette lumière flexible en utilisant seulement les clips de montage recommandés par l'usine, la piste ou le canal (vendus séparément).
- Ne pas fixer ce produit ou son cordon avec des agrafes, des clous ou des moyens semblables qui peuvent endommager l'enveloppe extérieure ou l'isolant du cordon.
- Ne pas utiliser en cas d'endommagement du boîtier en PVC ou de l'isolation du cordon d'alimentation. Inspectez périodiquement.
- Ne pas installer sur des BARRIÈRES ou des portes, où soumis à la flexion constante.
- Ne pas installer dans des réservoirs ou des enceintes de quelque type que ce soit.
- Éviter d'appuyer sur l'individu ; les LED Les LED sont encastrés dans la silicone et de pression ci-dessus peut endommager les circuits internes.
- Suivez les instructions attentivement lors de l'extension 2 hybride ou RVB cordons d'attelage/contrôleurs. S'assurer que toutes les connexions, y compris le bouchon d'extrémité sur le dernier segment, sont scellées hermétiquement pour empêcher l'entrée de l'eau (en extérieur).
- **120V Hybrid 2 RGB est listé cETLus, mais cette code de sécurité est nulle si la bobine de 150 ft est coupée.** Couper le Hybrid 2 RGB et / ou altérer le cordon d'alimentation de quelque façon que ce soit, y compris, mais sans s'y limiter, couper, épisser et / ou ajouter des accessoires de puissance sinon cela annule la liste cETLus.
- Ce produit est pour usage décoratif seulement. Ne pas utiliser par les enfants comme un jouet. Tenir hors de la portée des enfants.
- Ne pas dépasser 150ft de distance de course maximale dans une course unique.

⚠ AVERTISSEMENT

Lors de l'utilisation de produits d'éclairage portables pour l'extérieur, les consignes de sécurité de base sont toujours respectées afin de réduire les risques d'incendie, de choc électrique et de blessures corporelles, notamment :

- Utiliser de la graisse diélectrique et un tube rétractable à toutes les connexions d'alimentation, y compris le capuchon d'extrémité lors de l'utilisation à l'extérieur.
- Utiliser un disjoncteur de fuite à la terre (GFCI) sur le (s) circuit (s) ou la (les) sortie (s) lors de l'utilisation à l'extérieur.
- Utiliser seulement des rallonges extérieures homologuées UL, telles que le type SW, SOW, STW, STOW, SJW, SJOW, SJTW ou SJTOW. Cette désignation est marquée sur l'enveloppe de la rallonge.

INFORMATIONS SUR LE PRODUIT

Hybrid 2 RGB est vendu en 3ft, 12ft, 30ft, 45ft longueurs et extensible. Chaque longueur inclut les connexions mâle/femelle moulé et (1) clip de fixation en plastique par pied de longueur. Accessoires de montage : RGB-H2-CLIPS-AL (sac de dix clips de fixation en aluminium), RGB-CHAN-3 (3ft) canal de montage en aluminium ; tous vendus séparément. Cavaliers (reliant les extensions) : 6", 3ft, 10ft, 20ft et longueurs. Hybrid 2 RGB nécessite l'utilisation de couleurs RGB-H2-CTRL pour l'opération (vendu séparément).

La consommation de puissance = 2,7 W/pi ; maximum de 150 pieds = exécuter (par contrôleur ; signal DMX 512 limitée à 700ft max)

INSTRUCTIONS POUR L'INSTALLATION

RGB-H2 Series & RGB-H2-CTRL



CONNEXION ET COMMANDE D'HYBRID 2 RGB (VOIR LES FIGURES 1-3):

Ce produit nécessite l'utilisation de RGB-H2-CTRL (vendu séparément) pour le fonctionnement. Voir les instructions pour RGB-H2-CTRL pour des options plus détaillées.

1. Tourner le capuchon en plastique sur la première longueur de Hybrid 2 RGB dans le sens inverse des aiguilles d'une montre pour le retirer.
2. Branchez les extrémités mâle et femelle du câble de sortie de la LED CC du RGB-H2-CTRL et du Hybrid 2 RGB ensemble; Serrez solidement le couvercle de connexion vissé.
3. Brancher le cordon d'alimentation AC de RGB-H2-CTRL dans une alimentation de 120V. Avant l'installation ou le montage, branchez le système Hybrid 2 RVB pour être installé pour que toutes les sections soient allumées et fonctionnent correctement.
4. Pour sélectionner un mode sur RGB-H2-CTRL, appuyez et maintenez simultanément les boutons 1 et 2 (voir Figure 1) pendant 2 secondes jusqu'à ce que l'affichage numérique clignote. Utilisez le bouton 3 pour sélectionner le mode 'Ru1' ou 'Ru2'. Le mode 'Ru1' est pour un fonctionnement autonome et le mode 'Ru2' est destiné à être utilisé avec un contrôleur maître DMX.
5. Pour régler les canaux, appuyez et maintenez simultanément les boutons 2 et 3 (voir la figure 1) pendant 2 secondes jusqu'à ce que l'affichage numérique clignote. Utilisez le bouton 1 pour sélectionner les canaux 3.
6. RGB-H2-CTRL peut être interconnecté (le signal DMX 512 est limité à une course maximale de 700 ft) en connectant le câble 'DMX Output' du premier bloc RGB-H2-CTRL au câble 'DMX Input' du second RGB-H2-CTRL; Serrez fermement la vis sur les couvercles de connexion.

Pour utiliser le mode autonome, entrez le mode 'Ru1' en suivant l'étape 4.

Utilisez le bouton 1 (voir Figure 1) pour basculer entre les types de contrôle: C (sélection de couleur: 9 total: rouge, blanc chaud, jaune, vert, bleu, indigo, violet, magenta, blanc froid) , P (effets prédéfinis; 10 total) S (vitesse: 0 = max, 9 = min) et B (luminosité 0 = min, 9 = max). Utilisez le bouton 3 pour basculer entre les sélections pour chaque type de commande (C, P, S, B).

Pour utiliser un maître DMX distinct (non inclus, voir la figure 2) pour la commande DMX512, suivez les étapes 1 et 2 ci-dessus. Utilisation de la connexion RGB-H2-CTRL-XLR3 (vendue séparément) RGB-H2-CTRL au contrôle maître externe via le cordon d'entrée DMX sur RGB-H2-CTRL. Le mode 'Ru2' est nécessaire (voir l'étape 4 ci-dessus) pour la configuration de la commande DMX.

Pour utiliser RGB-H2-REC-RF pour le contrôle de la fréquence radio utiliser les contrôleurs Trulux (vendus séparément, voir Figure 3), suivez les étapes 1 et 2 ci-dessus. Branchez le cordon de "DMX input" sur RGB-H2-CTRL au cordon de DMX output sur RGB-H2-REC-RF. Fixer solidement le couvercle de raccordement vissé. RGB-H2-CTRL nécessite le mode 'Ru2' (voir l'étape 4 ci-dessus) pour la configuration de la commande DMX. Voir les instructions pour RGB-H2-REC-RF (vendu séparément) pour plus d'informations. Suivez les instructions de synchronisation et d'utilisation pour les contrôleurs de fréquence radio (vendus séparément).

MODE D'OPÉRATION

FIGURE 1

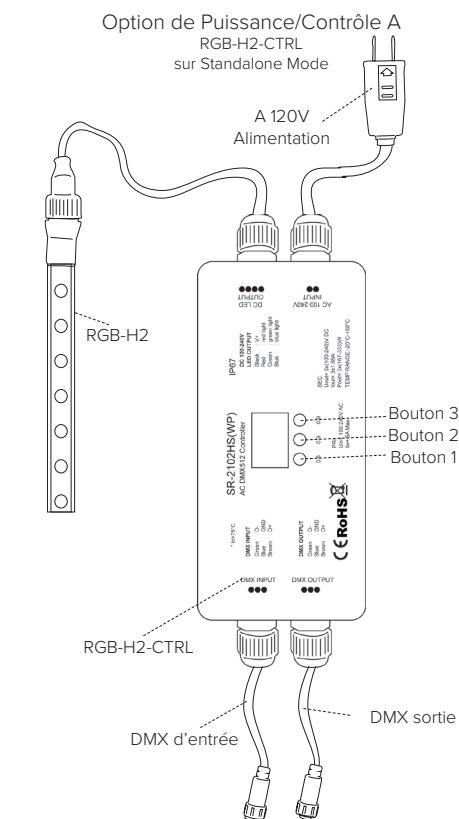


FIGURE 2

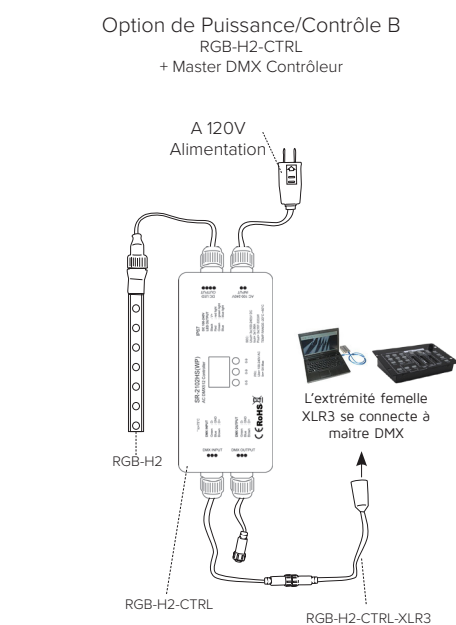
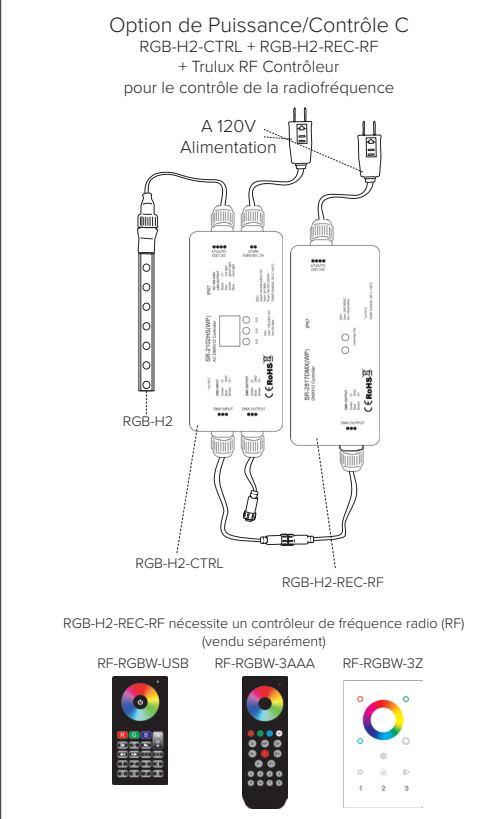


FIGURE 3



INSTRUCTIONS POUR L'INSTALLATION RGB-H2 Series & RGB-H2-CTRL

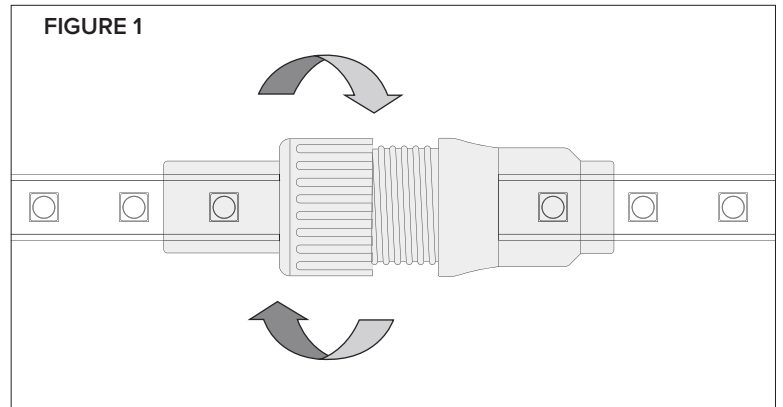


EXTENSION DE 2 KITS HYBRID (VOIR LE FIGURE 1)

Remarque : Lors de la connexion de plusieurs Hybrid 2 Kits ensemble, ne pas dépasser la longueur maximale de course comme indiqué par l'étiquette sur le cordon : 150ft max

1. Tournez le capuchon en plastique dans le sens inverse des aiguilles d'une montre pour le retirer du premier kit.
2. Retirez le cordon d'alimentation du deuxième kit.
3. Branchez les kits en branchant les moitiés mâle et femelle les uns dans les autres, puis serrez le couvercle de connexion vissé.
4. Répétez les étapes 1, 2 et 3 pour tous les kits supplémentaires.
5. Tournez le capuchon en plastique dans le sens des aiguilles d'une montre jusqu'à ce qu'il soit fermement serré et fixé à l'extrémité du dernier kit.

FIGURE 1



MONTAGE :

En cas de montage vertical, s'assurer que le poids du produit est pris en charge par voie de fixation pour éviter trop de tension sur le circuit de cuivre interne de sélection.

- AVEC CLIPS DE MONTAGE

Clips de montage en plastique inclus

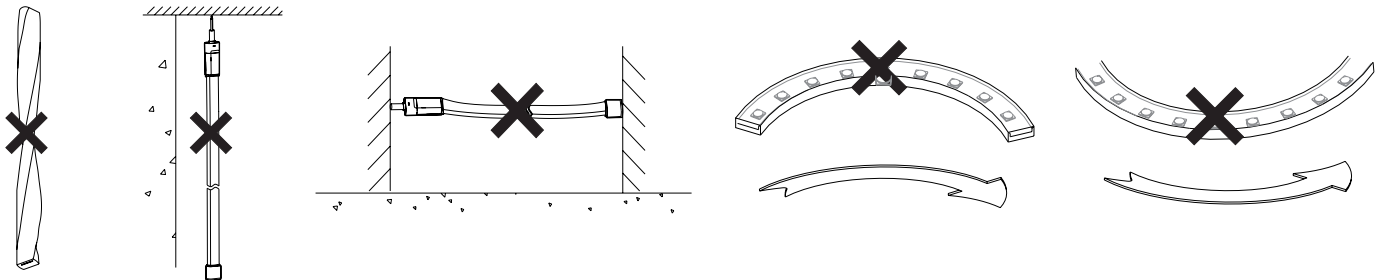
1. Fixez les clips de montage fournis à l'aide de clous ou de vis. Assurez-vous que la surface de montage est mécaniquement solide.
2. Les clips de montage doivent être espacés uniformément et être à une distance maximale de 12 pouces.
3. Assurez-vous que la distance entre deux lignes séparées / tout près de Hybrid 2 Kits est d'au moins 1/2 " d'intervalle pour assurer la distribution de chaleur.

- AVEC PISTE OU CANAL:

(H2-TRACK-3 ou H2-CHAN-3 vendus séparément)

1. À l'aide de fixations appropriées, fixer la piste de montage sur une surface mécaniquement solide.
2. Appuyer doucement sur le kit Hybrid 2 dans la piste / canal afin qu'il s'enclenche et que le Hybrid 2 ne bouge pas.

NE PAS TOURNER VERTICALEMENT, SUSPENDRE SANS SUPPORT AU CENTRE, PLIER LE LONG DU CÔTÉ

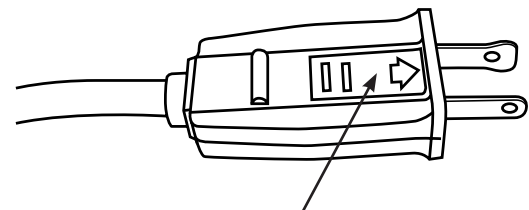


POUR REMPLACER LE FUSIBLE (VOIR FIGURE 6):

Cette fiche contient un fusible électrique comme fonction de sécurité.

1. Débrancher l'alimentation avant de remplacer le fusible.
2. Saisir la fiche et la retirer de la prise ou d'un autre moyen de sortie.
3. Ne pas débrancher en tirant par le cordon.
4. Glisser pour ouvrir le couvercle d'accès au fusible (voir figure 5).
5. Retirer le vieux fusible avec précaution.
6. Ne jamais essayer de remplacer le fusible par un fusible de plus grande puissance. Utilisez uniquement des fusibles de 8Amp 125Volt. Le non-respect de cette consigne peut constituer un risque d'incendie. (Un fusible de rechange est inclus, stocké dans la fiche pour plus de commodité).
7. Placez un nouveau fusible dans le support et fermez le couvercle d'accès au fusible.

FIGURE 6



Le fusible est à l'intérieur de la fiche.
Glisser pour ouvrir le couvercle d'accès au fusible comme montré.

NETTOYAGE ET ENTRETIEN

1. Pour le nettoyage, utiliser un chiffon doux, sec ou humide. Ne pas utiliser des produits chimiques agressifs ou abrasifs.