



AMERICAN LIGHTING
BRIGHT IDEAS • INNOVATIVE SOLUTIONS

EPIQ 3-RE & E3S-RE

LED Remodel Recessed Downlight for 3" Housings
Installation instructions for E3 Series



EPIQ 3 Remodel Downlight



Installation Instructions for E3-RE & E3S-RE Series 120V AC Operation

WARNING: These products may represent a possible shock or fire hazard if improperly installed or attached in any way. Products should be installed in accordance with these instructions, current electrical codes, and/or the current National Electric Code (NEC).

WARNING: READ ALL INSTRUCTIONS BEFORE YOU START:

CAUTION - To reduce risk of fire, electric shock, or injury to persons: To avoid possible electric shock, be sure that power supply is turned off at fuse box or circuit breaker before attempting installation or servicing of the fixture. For safest operation, read and become familiar with complete installation instructions prior to use. Pay close attention to this manual and stay within its guidelines when using this product.

CAUTION - To reduce risk of fire, electric shock, or injury to persons: Use with included 3" recessed can housing only. Do not attempt to alter for other sizes or purposes. The electrical rating of this product is 120V AC. The installer must determine whether power supply is appropriate at the luminaire before installation. The driver in the housing's junction box must not be removed.

WARNING:

Risk of fire or electric shock. LED remodel kit installation requires knowledge of recessed lighting luminaires and their electrical systems. If not qualified or uncertain, do not attempt installation: contact a qualified electrician.

Risk of fire or electric shock. Supply conductors (power wiring) connecting the fixture must be rated for a minimum of 90°C.

Risk of fire or electric shock. Do not make or alter any open holes in wiring enclosures, nor in any electrical components during kit installation.

Risk of fire or electric shock. Do not alter, relocate, or remove wiring, lamp holders, power supply, or any other electrical component.

Risk of fire or electric shock. Do not use these products in luminaires located where elevated ambient temperatures exist.

Risk of fire or electric shock. To prevent wiring damage or abrasion, do not expose wiring to edges of sheet metal or other sharp objects.

ADDITIONAL SAFETY MEASURES

1. To avoid electrical shock, do not turn on fixture with missing or damaged lens.
2. There are no serviceable parts inside LED module.
3. Use only a mild soap and water with soft cloth to clean the fixture. Harsh chemicals will damage the finish. Do not wipe the fixture with a rough cloth that may scratch the finish or the lens.

CONTENTS

Each E3-RE & E3S-RE remodel LED recessed downlight kit includes a 3-3/8" (86mm) diameter cut-out template; LED light engine (E3S has swivel feature, E3 is standard downlight), integrated lens, trim, heat sink, attached torsion clips to hold recessed downlight in place and power lead wire with "A" type connector; insulating foam ring; 3" remodel style housing with power lead wire, power junction box, drywall clips and mating "B" type connector; and these safety/installation instructions.

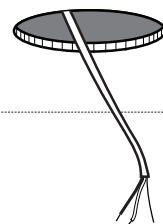
INSTALLING RECESSED HOUSING

To avoid electric shock or injury to persons, disconnect power prior to installation.

1. Determine desired location for light. NOTE: 120V AC supply power is needed in the ceiling plenum at this location.
2. Using the cut-out template, mark the cutting line for installing the remodel housing.
3. Cut this hole from the drywall or surface material using an appropriate saw or cutting tool and remove cut-out material. NOTE: The size of the cut-out hole is very important! Do not exceed 3-3/8" (86mm) in diameter! Proper installation of housing and light engine depend upon correct sizing of cut-out.
4. Locate supply power in ceiling. Pull supply wires through cut-out and strip back conductors 3/8". See Figure 1.

Continued on next page...

Figure 1



Pull supply wires through cut-out and strip back 3/8"

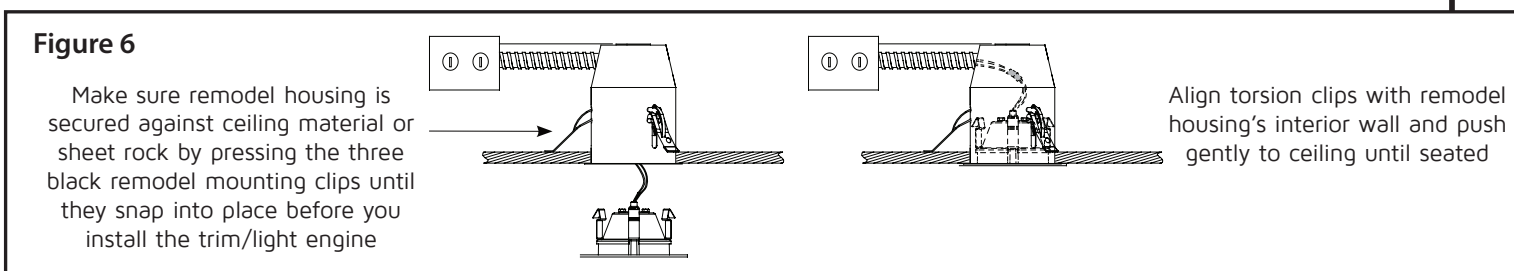
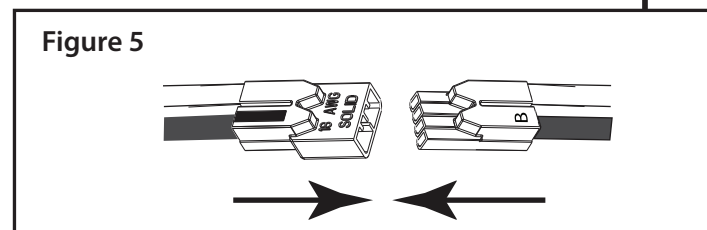
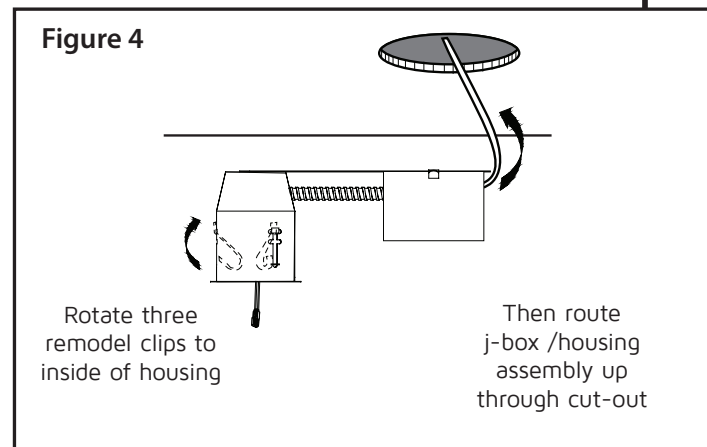
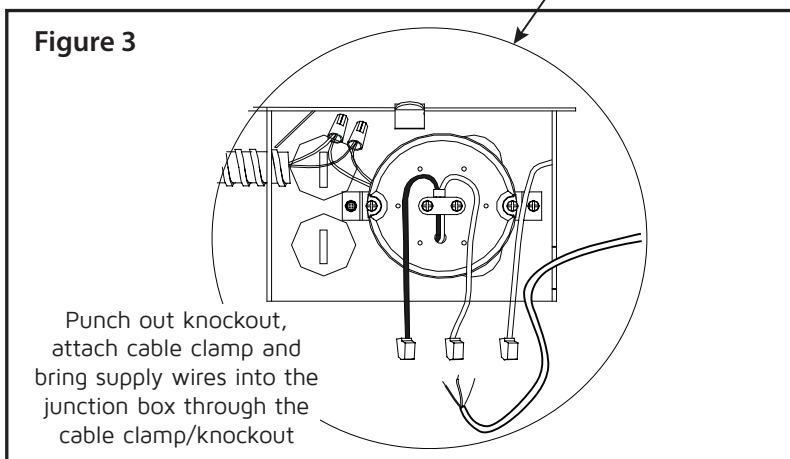
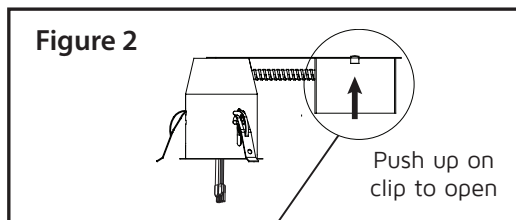
EPIQ 3 Remodel Downlight



Installation Instructions for E3-RE & E3S-RE Series 120V AC Operation

INSTALLING RECESSED HOUSING CONTINUED...

5. Push upward on the junction box closure clip to release the junction box cover. See Figure 2.
6. Punch out the knockout that is most suited for the installation. Use UL Listed cable clamp connector (not included) to provide strain relief for supply wires.
7. Route minimum 18AWG solid copper wires through knockout via cable connector. Attach line voltage AC supply wires to driver lead wires inside of junction box: Black to Black, White to White, Green or bare wire to Yellow/Green (Ground). Secure each connection using the quick connectors provided on the driver lead wires. See Figure 3.
8. Replace junction box cover by lining up tabs and pressing firmly until closure clip snaps in place. NOTE: Be sure that the wires are not pinched or damaged by any part of the junction box or its cover.
9. Push up on the three black remodel mounting clips, so they rotate to the inside of the recessed housing. See Figure 4.
10. Route junction box/housing assembly up through ceiling cut-out. See Figure 4.
11. Align bottom of housing with ceiling plane. Reaching inside the remodel can, push remodel mounting clips outward so they snap down and secure housing against sheet rock/ceiling material as shown in Figure 6.



INSTALLING TRIM/LIGHT ENGINE:

To avoid electric shock or injury to persons, disconnect power prior to installation.

1. Insert power lead wire's type "A" connector into mating type "B" connector. See Figure 5.
2. To anchor trim/light engine to recessed housing, align torsion clips with the interior wall of the can and push trim/light engine gently to ceiling until seated. See Figure 6.

Continued on next page...

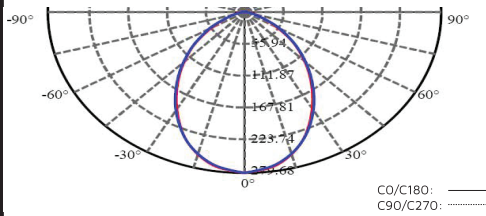
EPIQ 3 Remodel Downlight



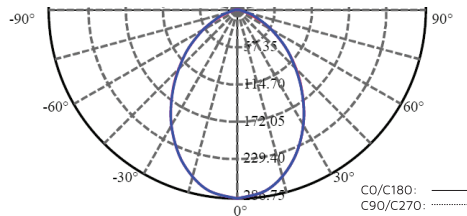
Installation Instructions for E3-RE & E3S-RE Series
120V AC Operation

LIGHT DISTRIBUTION

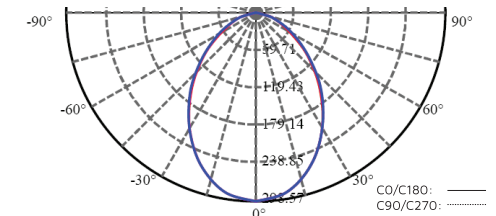
E3-RE-30-DB



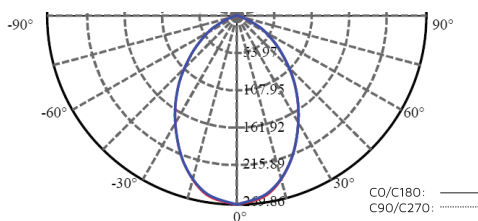
E3-RE-30-NK



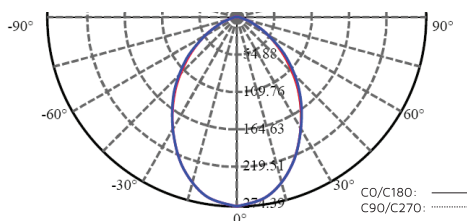
E3-RE-30-WH



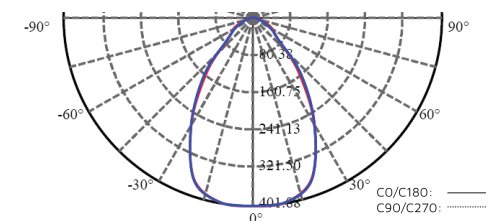
E3S-RE-30-DB



E3S-RE-30-NK



E3S-RE-30-WH



5-YEAR LIMITED PRODUCT WARRANTY

This product is warranted to be free from defects in material and workmanship for a period of five (5) years from the date of purchase. Products that prove to be defective during this period will be either repaired (i.e. replacement of defective electronics, defective parts of the fixture housing, lens, wiring, switching or lamp sockets; excluding the lamp) or replaced, at the discretion of American Lighting, Inc. Claims for defective products must be submitted to the retail location from which the product was purchased within the warranty period. Upon submission of proper return claim documentation and product to American Lighting, Inc. by the retailer, American Lighting, Inc. reserves the right to inspect the product for misuse or abuse. Claims for indirect or consequential damages or for product that, in American Lighting, Inc's opinion has been misused, will be denied. This is a warranty of product reliability only and not a warranty of merchantability or fitness for a particular purpose. American Lighting, Inc shall have no liability whatsoever in any event for payment of incidental or consequential damages, including, without limitations, installation costs and damages for personal injury and property. These products may represent a possible shock or fire hazard if improperly installed or altered in any way. This warranty applied only to product that has been properly installed in accordance with instruction sheet and current local codes and/or the National Electrical Code. Warranty does not apply to any product that has been improperly installed or in situation where components have been altered in any way. This warranty: (1) excludes expendable parts including but not limited to light bulbs, batteries; (2) carries a 2-year finish warranty protecting finish against tarnishing, flaking, and discolorations; (3) shall be void if this lighting fixture is not installed in the U.S.A.; and (4) does not cover any losses, labor, injuries to persons/property or costs. This warranty does give you specific legal rights and you may have other rights, which vary from state to state, Be careful, it is recommended that installation be done by a qualified professional; the purchaser has sole responsibility for proper installation in compliance with all state and local code requirements. Seller's employees are not qualified to advise you on the use of this Merchandise. Any oral representation(s) made will not be binding on seller or its employees. The rights under this limited warranty are to the original purchaser of the Merchandise and may not be transferred to any subsequent owner. This limited warranty is in lieu of all warranties, expressed or implied including warranties or merchantability and fitness for a particular purpose. Seller shall not be liable for any special, incidental, or consequential damages. The sold exclusive remedy against the seller will be for the replacement of any defects as provided herein, as long as the seller is willing or able to replace this product or is willing to refund the purchase price as provided above.

For questions/comments, technical assistance, or repair parts - Please call toll free at 1-800-285-8051 (M-F 8am-5pm), CST)