



Features

- Integrated heat sink for superior longevity
- Excellent color rendering (92+ CRI)
- 3000K or 4000K color temperatures
- Lumen output ranging from 1750-2000Lm
- Remote driver/hardwire junction box
- Spring loaded mounting clips for easy installation
- Rough-in plate available for new construction
- Type IC and cETLus Listed for wet locations
- 50,000 hours rated life
- ENERGY STAR pending

Available Finishes



White Alzak

Dimming Options

- TRIAC (10-100% - 120V)
- CL (10-100% - 120V)
- ELV (10-100% - 120V)
- 0-10V (120-277V)

Listing / Ratings



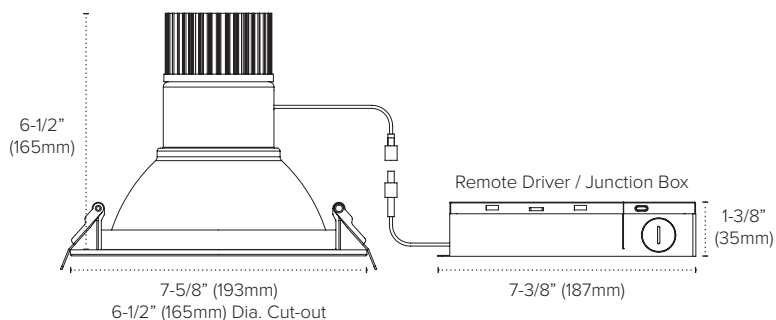
EPIQ MAG 6 Downlight

Deep regression and a 40° shield angle provide high visual comfort. Available in White (120V AC) or Alzak (120-277V AC) multipliers. The remote driver/hardwire box features tool-free access and 1/2" knockouts. Also included are steel spring clips and a convenient cut-out template. EPIQ Mag 6 is suitable for retrofit, remodel or new construction in wet locations and/or in direct contact with insulation. Rough-in plate is available (sold separately) for new construction use.

Technical Information

Series	EM6
Input Voltage	120V AC, 60Hz (WH) / 120-277V AC (AZ)
CCT	3000K / 4000K
CRI	92+
Wattage	25.1W / 23.8W
Lumens	1750Lm / 2000Lm
Beam Angle	44° / 38°
Dimmable	10-100%* (120V) / 0-10V (120-277V)
Mounting	Recessed mount (6-1/2" Cut-out Dia.)
Rating	cETLus Listed; Type IC; Suitable for wet locations
Rated Life	50,000 hrs

*Minimum loads may apply



EPIQ MAG 6 Downlight

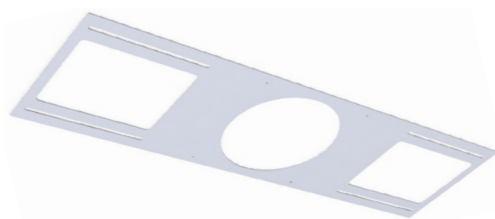


White Multiplier
EM6-30-WH
120V AC / 3000K / 1750Lm



Alzak Multiplier
EM6-40-AZ
120-277V AC / 4000K / 2000Lm

EPIQ MAG 6 Accessories



6" Rough-in Plate
RP-E6/EM6

TRULUX LIGHTING SYSTEMS

TASK LIGHTING

EPIQ MAG 6
DOWNLIGHTING

LINEAR LIGHTING

ARCHITECTURAL LIGHTING

POWER SUPPLIES