

# Interchangeable Series LED Recessed Downlight



## Installation instructions for 5 inch and 6 inch X56 Series

**WARNING:** These products may represent a possible shock or fire hazard if improperly installed or attached in any way. Products should be installed in accordance with these instructions, current electrical codes and/or the current National Electric Code (NEC).

**CAUTION - To reduce risk of fire, electric shock or injury to persons:**

1. Make sure that the electrical power to the fixture is disconnected prior to any installation or retrofit.
2. This light is suitable for wet locations.
3. Use with 5" or 6" recessed cans (recessed housings) only. Do not attempt to alter for other sizes or purposes.
4. For best dimming results, use standard incandescent/CFL/LED and low voltage electronic dimmers in a branch circuit supplied with 120V AC power. Check dimmer manufacturer's specifications to confirm whether minimum loads apply. Each fixture = 9.5 - 9.8W.

**WARNING:** Risk of fire or electric shock. Install these kits only in the luminaires that have the construction features and dimensions shown in the photographs and/or drawings. Confirm this before installation by checking the interior of the housing for a manufacturer's part number and specifications; or measure the diameter of the housing. The recessed housing must have a minimum measured inside diameter (opening) of 5-1/4" and maximum diameter 6-1/2". The minimum clearance height of 5-1/4". See Figure 1.

Do not make or alter any open holes in a wiring enclosure, nor in any electrical components during kit installation! **WARNING:** Risk of fire or electric shock. Kit installation requires knowledge of recessed lighting luminaires electrical systems. If not qualified, do not attempt installation. Contact a qualified electrician.

Do not use these products in luminaires located where elevated ambient temperatures exist.

**WARNING:** Risk of fire or electric shock. The electrical rating of this product is 120V AC. The installer must determine whether power supply is 120V AC at the luminaire before installation.

**WARNING:** Risk of fire or electric shock. Do not alter, relocate, or remove wiring, lamp holders, ballasts, or any other electrical component.

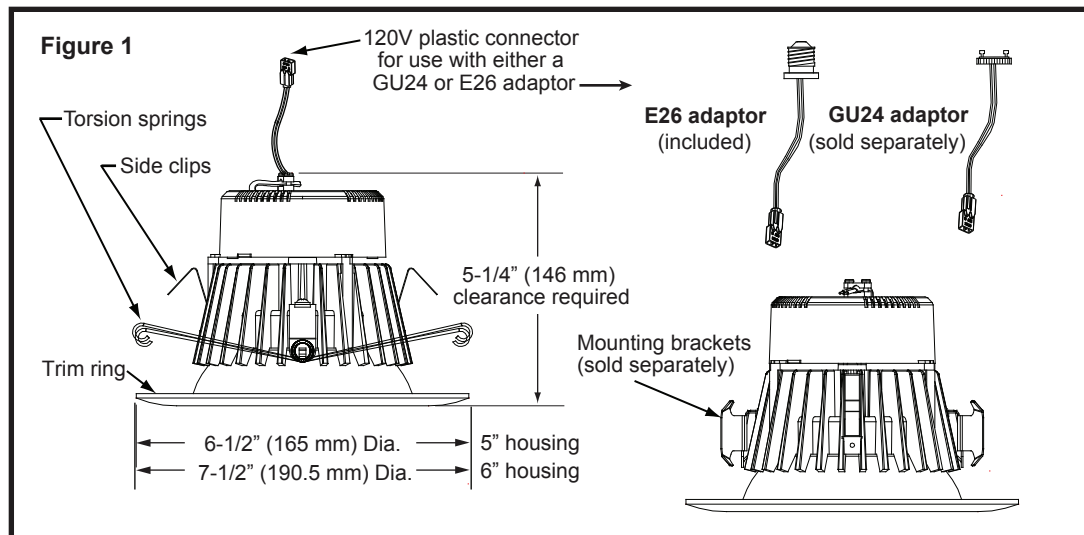
**WARNING:** To prevent wiring damage or abrasion, do not expose wiring to edges of sheet metal or other sharp objects.

THIS PRODUCT MUST BE INSTALLED IN ACCORDANCE WITH THE APPLICABLE INSTALLATION CODE BY A PERSON FAMILIAR WITH THE CONSTRUCTION AND OPERATION OF THE PRODUCT AND THE HAZARDS INVOLVED.

THE RETROFIT ASSEMBLY IS ACCEPTED AS A COMPONENT OF A FLUORESCENT LUMINAIRE WHERE THE SUITABILITY OF THE COMBINATION SHALL BE DETERMINED BY CSA OR AUTHORITIES HAVING JURISDICTION.

Each fixture includes an attached lead wire with a 120V plastic connector (for use with either a E26 or GU24 (optional) adaptor; an E26 adaptor, an insulating foam ring, a set of attached adjustable torsion springs and side clips (factory set for 6" versions). Mounting brackets for non-bullhorn housings sold separately. See Figure 1.

**FUTURE LAMP REPLACEMENT & GU24 ADAPTORS** X56 Series models and GU24 adaptors (item #AL-GU24) are available from American Lighting, Inc. Contact (800) 880-1180 or visit [www.americanlighting.com](http://www.americanlighting.com) to find a local distributor.



AMERICAN LIGHTING  
BRIGHT IDEAS • INNOVATIVE PRODUCTS

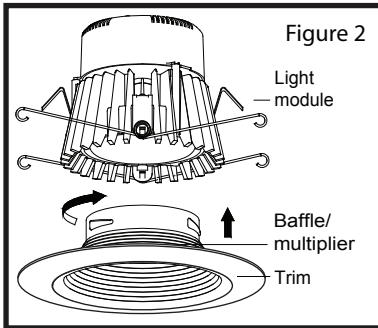
# Interchangeable Series LED Recessed Downlight



## Installation instructions for 5 inch and 6 inch X56 Series

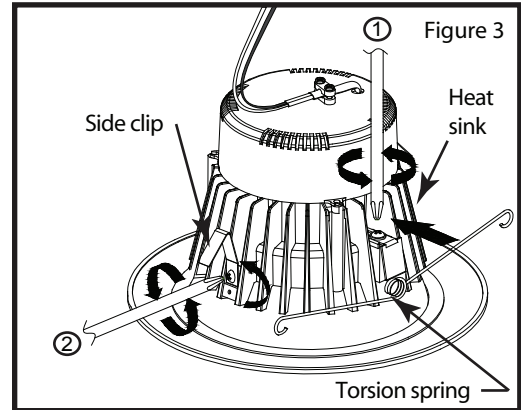
### ASSEMBLY DIAGRAM

1. Make sure adjustment of torsion springs and side clips are completed prior to assembly of trim, baffle/multiplier and lighting module.
2. Install the baffle/multiplier into the trim piece. Push trim assembly up into light module and rotate baffle/multiplier a half turn to the right (180 degrees) to lock trim assembly into place. See Figure 2.



### INTERCHANGEABLE X56 IS FACTORY-SET FOR USE WITH 6" RECESSED HOUSINGS. TO USE WITH 5" RECESSED HOUSINGS, MAKE THE FOLLOWING ADJUSTMENTS - SEE ALSO FIGURE 3:

1. Loosen screw on the adjustable torsion spring. Push the bracket in toward the heat sink. Secure screw and tighten into place.
2. Loosen screw on side clip and remove. Relocate the steel side clip to upper hole. Secure screw and tighten into place.

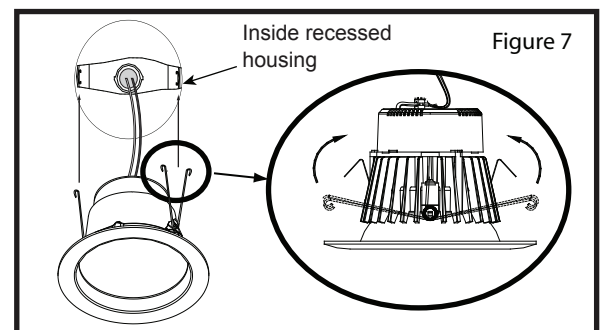
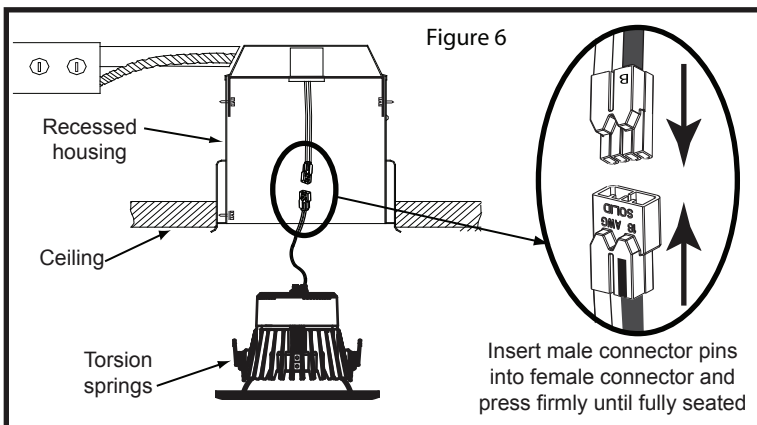
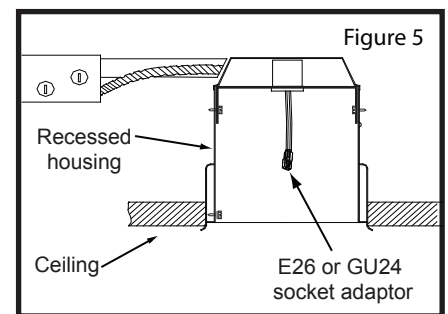
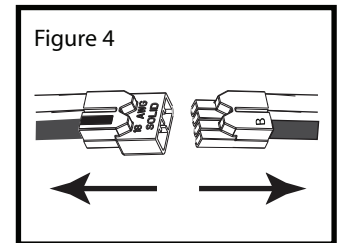


AMERICAN LIGHTING  
BRIGHT IDEAS • INNOVATIVE PRODUCTS

**CAUTION: Always make sure power to the fixture is disconnected before beginning removal of existing lamp and/or trim, or before beginning retrofit installation. Failure to do so can cause electric shock, which can result in injury or death.**

### RETROFIT INSTALLATION

1. Confirm the LED trim is compatible with the recessed housing as outlined on reverse.
2. Remove existing lamp from existing recessed housing.
3. Remove existing trim from existing recessed housing.
4. Detach E26 socket adaptor from LED fixture by grasping *plastic connectors* firmly and pulling apart. Do not grasp wires to pull connectors apart. See Figure 4.
5. Screw E26 socket adaptor into existing E26 socket at the back of the housing; or push and twist GU24 socket adaptor into existing GU24 socket at back of housing. See Figure 5.
6. Insert male connector pins into female connector and press firmly together until fully seated. See Figure 6.
7. Insert trim's torsion springs into corresponding retaining brackets in recessed housing. Carefully push fixture gently to ceiling until seated. See Figure 7.



### NEW CONSTRUCTION INSTALLATION

Follow steps 1, then 4-7 above.