

# ProLED® Volumetric Panel Light Installation Instructions

## IMPORTANT

READ INSTRUCTIONS CAREFULLY BEFORE INSTALLING. KEEP THESE INSTRUCTIONS FOR FUTURE REFERENCE.

ProLED fixtures must be wired in accordance with the National Electrical Code and all applicable local codes. Proper grounding is required for safety. THIS PRODUCT MUST BE INSTALLED IN ACCORDANCE WITH THE APPLICABLE INSTALLATION CODE BY A QUALIFIED ELECTRICIAN WHO IS FAMILIAR WITH THE CONSTRUCTION AND OPERATION OF THE PRODUCT AND THE HAZARDS INVOLVED.

**WARNING** - Risk of fire or electric shock. ProLED Panel Light installation requires knowledge of luminaires and electrical systems. If not qualified, DO NOT attempt installation. Contact a qualified electrician.

**WARNING** - Risk of fire or electric shock. Suitable for dry locations. Make sure the power is off prior to installation.

**WARNING** - Risk of fire or electric shock. Suitable for flat T-Grid in non-insulated ceilings. Access above ceiling required. DO NOT cover fixture with insulation liner or similar material.

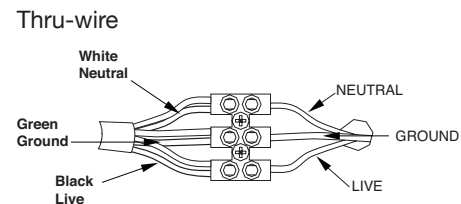
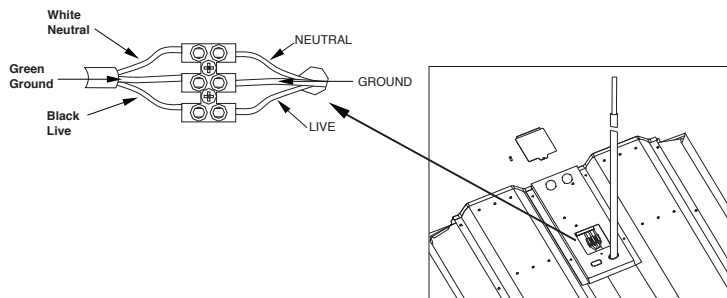
**WARNING** - DO NOT install in unstable, loose or easily breakable surfaces.

**WARNING** - DO NOT let objects impact or exert force on the surface of the fixture.

## Warranty Information:

This product is warranted for 5 years from the date of purchase, based on 10 hours of use per day. If this product does not perform to the specifications supplied on this package, send an email or write to the address below for product return and replacement. This replacement is the sole remedy available. Liability for incidental or consequential damage is expressly excluded. Visit [www.halcolighting.com](http://www.halcolighting.com) for full warranty details.

## Wiring Diagram:

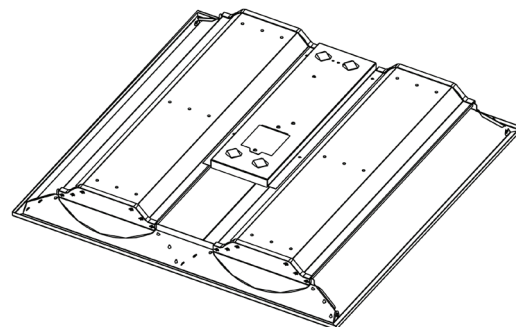


## Installation Steps:

1

Open a hole or fix the T Bar on the ceiling.

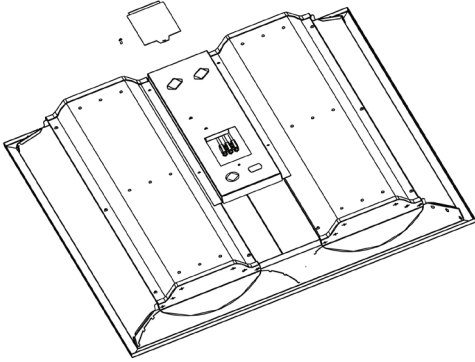
2



Take the ProLED Volumetric Panel out of the carton.

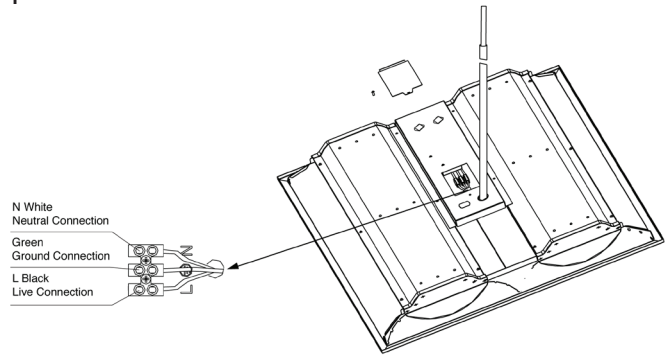
## Installation Steps:

3



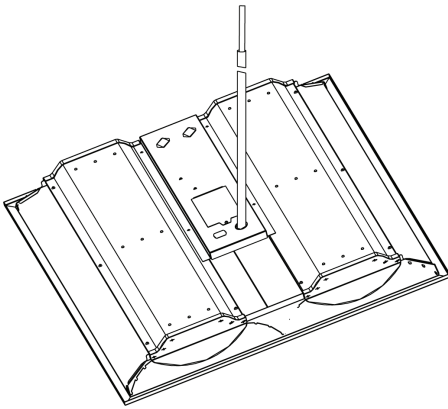
Remove the access plate, located in between the two troffer's wells. Open up one of the knockouts to allow the power cable into the driver box.

4



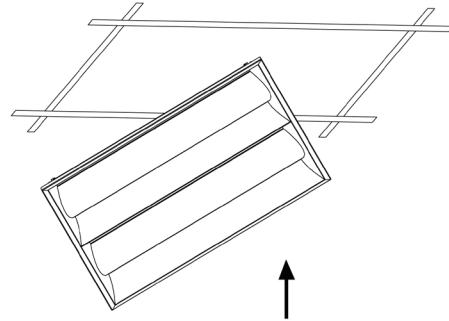
Connect the power cable wires to the wiring terminal through the opened knockout. Ensure that the wires have a strong connection.

5



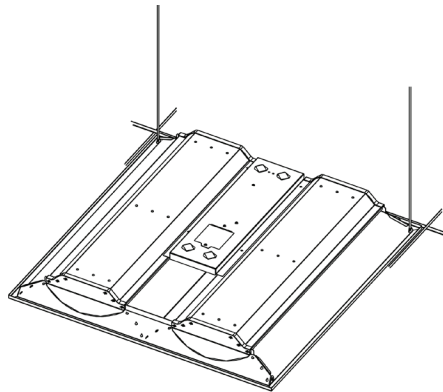
After the power cord is correctly connected, reinstall the access plate. Verify that the LED light works prior to installing into the ceiling.

6



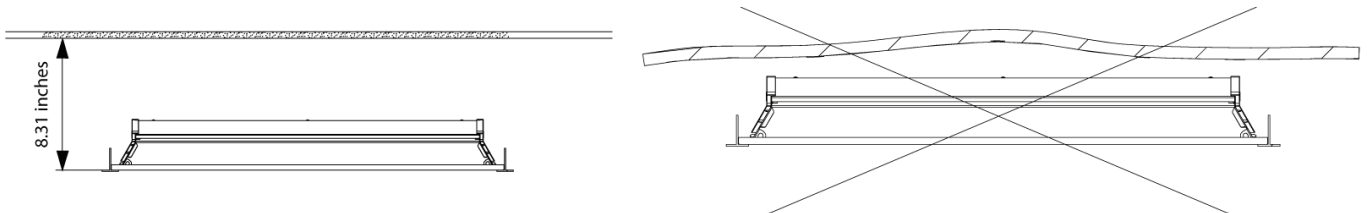
Install the fixture into the ceiling or designated space.

7



Attach the safety cables as necessary.

8



Not for use in applications where contact with insulation will occur.