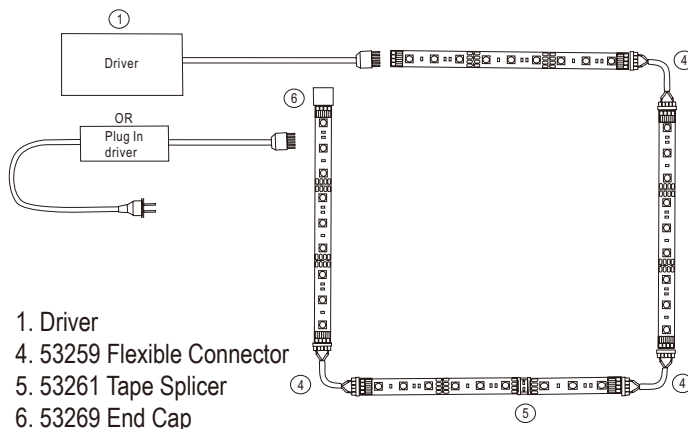
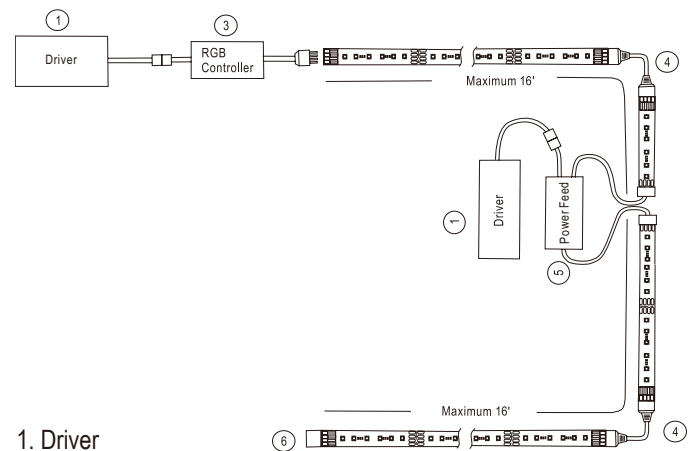


7. Basic Star/Basic Star 24



1. Driver
4. 53259 Flexible Connector
5. 53261 Tape Splicer
6. 53269 End Cap

8. Digital Rainbow Star



1. Driver
3. 53391 RGB Controller
4. 53265 3" Connecting Cord
5. 53566 Power Feed
6. 53269 End Cap

12V Installation and Design Guidelines

- Basic Star can be field cut every 2" and Digital Rainbow Star can be field cut every 4".
- Polarity must be maintained. Each tape has + positive pin. Connectors are marked with + symbol. Positive polarity must be maintained or a section will not light. It is recommended to install all sections and power up to make sure polarity is correct before adhering to surface.
- Use the 4-Pin 4-Way Connector and 2" sections to get to 90 degree angles and turns. Connector Cords can also be used for corners and around obstacles. IT IS NOT RECOMMENDED TO BEND TAPE MORE THAN 45 DEGREES.
- The 4-Pin 4-Way Connector can also be used to power branched runs up to the maximum. Positioning of the 12V driver is critical to limit the amount of drivers required for each installation. Position 12V driver in middle of, or corners of, runs and to power the 4-Pin 4-Way Connector.
- Connector Cords can be used between the driver and the first tape section, driver and dimming controller, between sections, to go around corners and to extend runs.
- 36" Universal Aluminum Channel can be used to install on irregular surfaces and also areas where tape will be visible and needs to be concealed.
- 4-Pin Male End Cap and 4-Pin Silicone End Cap should be used at every termination whether tape is cut or not.
- 12V Dimming Controller will work on Basic. 12V Dimming Controller is installed after the driver and before the first section of tape.
- 12V 60w Indoor Plug-In Driver, 12V 60w Direct Wire Driver, 12V 60w Dimmable Direct Wire Driver are Class II Drivers.
- 4-Pin Connector Cords, Input Cords and Output Cords are made from 22 gauge wire.
- Connector Cords are not CL2/CL3 rated. This means that the connection cords are not fire rated for in-wall installations.
- In order to do an in-wall installation for StarStrand, the customer will need to purchase the 4-Pin Rough In Terminal Block" and place the blocks on each side of CL2/CL3 rated low voltage wire. A sample installation would be Romex/Line > Driver > Driver Output Cord > Rough In Terminal Block > Wall > CL2/CL3 rated low voltage wire > Wall > Rough in Terminal Block > Tape
- If splicing connector cords is required, when splicing, the Red/Blue wire are Negative, the Black/Green wire are Positive.
- The maximum amount of cord (driver output cord, connecting cord, dimming controller input cord, dimming controller output cord) that can be used in any 12V run is 24 total feet before any voltage drop will occur. Connecting cords can also be used to increase the distance between the driver and tape, driver and dimming controller, dimming controller and tape, not to exceed 24 total feet.
- LED tape can operate in an environment between 14°F and 122°F.