



LC-RF, LC-IR, LC-PC

LED RGB CONTROLLER SOLUTION GUIDE LC SERIES

Type	
Project	
Catalog No.	

PRODUCT OFFERING

Control Type	Image	Part Number	Description
Radio Frequency <ul style="list-style-type: none"> - Controlled with remote up to 30 ft away - Controller can be hidden - Max 1 controller per location 		LC-RF-300	Allows user to control RGB lights from remote location without line of sight. Recommend only one controller per location due to potential interference with other RF type controllers. Color wheel allows user to easily select specific colors.
Infrared <ul style="list-style-type: none"> - Controlled with remote up to 30 ft away - Receiver must be visible for remote, requires line of sight to function - Multiple controllers possible per location 		LC-IR-300	Infrared controller requires user to point in the general direction of the receiver to function properly. Allows use of multiple controllers per location. Remote has 6 buttons that allow the user to save custom colors.
DMX Programmable <ul style="list-style-type: none"> - Architectural lighting control programmed via software installed in a computer - 16 million colors to program - User can create their own scenes, color changes, fades - Can control multiple lighting systems independently or simultaneously 		LC-PC-100	Simple desktop DMX controller pre-programmed for basic functionality. Simple 2 button interface for scene selection. Best for single RGB lighting systems.
		LC-PC-400	Simple wall mount DMX controller with touch sensitive glass faceplate. Touchscreen features 3 modes: color selection, scene selection, and dimmer mode. Best for single RGB lighting systems.
		LC-PC-500	Advanced wall mount DMX controller with touch sensitive faceplate. Allows 5 different lighting systems to be controlled simultaneously. Features Ethernet network ability to allow control with Apple IOS or Google Android devices.



LC-RF, LC-IR, LC-PC

LED RGB CONTROLLER SOLUTION GUIDE LC SERIES

Type	
Project	
Catalog No.	

RF CONTROLLER

	Part Number	LC-RF-300
	Input Voltage	24V DC
	Output Power	432 Watts Max (6A per channel)
	Operating Temperature *	0 to 122 deg F
	Dimensions	3-1/4" L x 2-1/2" W x 1" H
	Remote Dimensions	4-1/2" L x 2-1/4" W x 3/4" H
	Mounting	Surface mount with tabs
	Environment	Indoor, Dry
	Max Remote Distance	30 ft

* Exceeding the operating temperature values may damage the LEDs by reducing the lifespan, lumen output, adversely impact color consistency, and void the warranty. It is recommended adequate airflow and heatsinking be taken into consideration in the installation and application of this product. Improper thermal management may lead to premature product failure.

WIRING DIAGRAM	REMOTE CONTROL FUNCTION																																
<p>For reference purposes only. Not for installation. Not to scale.</p> <p>The terminal block (for wiring the output to RGB fixtures and input for hard wire power supply) is removable for surface mount installation.</p> <p>Recommended 1 controller max per location.</p>	<p>Button 1 : on / off Button 2 : select color changing mode Button 3 : enable color wheel / cool white mode Button 4 : Increase brightness / speed Button 5 : Decrease brightness / speed</p> <p>Caution : Do not touch the color ring when installing the batteries or the touch sensitivity may be damaged. Wait 3 seconds after installing the batteries before using the color wheel.</p> <p>Requires 3 x AAA batteries. Batteries not included.</p> <p>Color Changing Mode List</p> <table border="1"> <thead> <tr> <th>Mode</th> <th>Description</th> </tr> </thead> <tbody> <tr><td>1</td><td>Rainbow fading with 8 steps of brightness control</td></tr> <tr><td>2</td><td>3 colors flashing with 8 steps of speed control Red, Green, Blue</td></tr> <tr><td>3</td><td>7 colors flashing with 8 steps of speed control Red, Purple, Blue, Cyan, Green, Yellow, White</td></tr> <tr><td>4</td><td>3 colors pulsing with 8 steps of speed control Red, Green, Blue</td></tr> <tr><td>5</td><td>7 colors pulsing with 8 steps of speed control Red, Purple, Blue, Cyan, Green, Yellow, White</td></tr> <tr><td>6</td><td>Red strobing with 8 steps of brightness control</td></tr> <tr><td>7</td><td>Blue strobing with 8 steps of brightness control</td></tr> <tr><td>8</td><td>Purple strobing with 8 steps of brightness control</td></tr> <tr><td>9</td><td>Green strobing with 8 steps of brightness control</td></tr> <tr><td>10</td><td>Yellow strobing with 8 steps of brightness control</td></tr> <tr><td>11</td><td>Cyan strobing with 8 steps of brightness control</td></tr> <tr><td>12</td><td>Cool White flashing with 8 steps of brightness control</td></tr> <tr><td>13</td><td>Red – Blue flashing with 8 steps of brightness control</td></tr> <tr><td>14</td><td>Green – Blue flashing with 8 steps of brightness control</td></tr> <tr><td>15</td><td>Red – Green flashing with 9 steps of brightness control</td></tr> </tbody> </table>	Mode	Description	1	Rainbow fading with 8 steps of brightness control	2	3 colors flashing with 8 steps of speed control Red, Green, Blue	3	7 colors flashing with 8 steps of speed control Red, Purple, Blue, Cyan, Green, Yellow, White	4	3 colors pulsing with 8 steps of speed control Red, Green, Blue	5	7 colors pulsing with 8 steps of speed control Red, Purple, Blue, Cyan, Green, Yellow, White	6	Red strobing with 8 steps of brightness control	7	Blue strobing with 8 steps of brightness control	8	Purple strobing with 8 steps of brightness control	9	Green strobing with 8 steps of brightness control	10	Yellow strobing with 8 steps of brightness control	11	Cyan strobing with 8 steps of brightness control	12	Cool White flashing with 8 steps of brightness control	13	Red – Blue flashing with 8 steps of brightness control	14	Green – Blue flashing with 8 steps of brightness control	15	Red – Green flashing with 9 steps of brightness control
Mode	Description																																
1	Rainbow fading with 8 steps of brightness control																																
2	3 colors flashing with 8 steps of speed control Red, Green, Blue																																
3	7 colors flashing with 8 steps of speed control Red, Purple, Blue, Cyan, Green, Yellow, White																																
4	3 colors pulsing with 8 steps of speed control Red, Green, Blue																																
5	7 colors pulsing with 8 steps of speed control Red, Purple, Blue, Cyan, Green, Yellow, White																																
6	Red strobing with 8 steps of brightness control																																
7	Blue strobing with 8 steps of brightness control																																
8	Purple strobing with 8 steps of brightness control																																
9	Green strobing with 8 steps of brightness control																																
10	Yellow strobing with 8 steps of brightness control																																
11	Cyan strobing with 8 steps of brightness control																																
12	Cool White flashing with 8 steps of brightness control																																
13	Red – Blue flashing with 8 steps of brightness control																																
14	Green – Blue flashing with 8 steps of brightness control																																
15	Red – Green flashing with 9 steps of brightness control																																




LC-RF, LC-IR, LC-PC

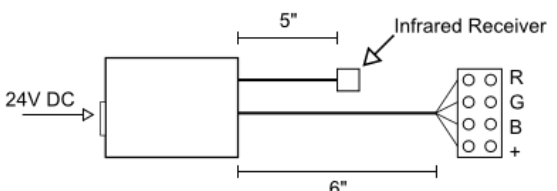
LED RGB CONTROLLER SOLUTION GUIDE
LC SERIES

Type	
Project	
Catalog No.	

IR CONTROLLER

 <p>Terminal block included (not shown)</p>	Part Number	LC-IR-300
	Input Voltage	24V DC
	Output Power	144 Watts Max (2A per channel)
	Operating Temperature *	0 to 122 deg F
	Dimensions	2-1/2" L x 1-3/8" W x 7/8" H
	Remote Dimensions	5" L x 2-1/4" W x 1/4" H
	Mounting	Surface mount with tabs
	Environment	Indoor, Dry
	Max Remote Distance	30 ft

* Exceeding the operating temperature values may damage the LEDs by reducing the lifespan, lumen output, adversely impact color consistency, and void the warranty. It is recommended adequate airflow and heatsinking be taken into consideration in the installation and application of this product. Improper thermal management may lead to premature product failure.

WIRING DIAGRAM	REMOTE CONTROL FUNCTION																																															
<p>For reference purposes only. Not for installation. Not to scale.</p>  <p>Infrared Receiver must not be hidden. Remote must be pointing at the infrared receiver to function properly.</p>	<table border="1"> <tr> <td>Increase Brightness (8 steps)</td> <td>Decrease Brightness (8 steps)</td> <td>Pause / Run</td> <td>On / Off</td> </tr> <tr> <td>Static Red</td> <td>Static Green</td> <td>Static Blue</td> <td>Static Cool White</td> </tr> <tr> <td>Static Orange</td> <td>Static Cyan</td> <td>Static Blue-Purple</td> <td>Static Yellow-White</td> </tr> <tr> <td>Static Light Orange</td> <td>Static Light Blue</td> <td>Static Light Purple</td> <td>Static Pink-White</td> </tr> <tr> <td>Static Yellow</td> <td>Static Sky Blue</td> <td>Static Purple</td> <td>Static Green-White</td> </tr> <tr> <td>Static Yellow-Green</td> <td>Static Ice Blue</td> <td>Static Magenta</td> <td>Static Blue-White</td> </tr> <tr> <td>Increase Red</td> <td>Increase Green</td> <td>Increase Blue</td> <td>Increase Speed</td> </tr> <tr> <td>Decrease Red</td> <td>Decrease Green</td> <td>Decrease Blue</td> <td>Decrease Speed</td> </tr> <tr> <td>DIY 1</td> <td>DIY 2</td> <td>DIY 3</td> <td>Auto cycle through color changing modes</td> </tr> <tr> <td>DIY 4</td> <td>DIY 5</td> <td>DIY 6</td> <td>White Strobe</td> </tr> <tr> <td>3 Color Flash Red, Green, Blue</td> <td>7 Color Flash Red, White, Cyan, Yellow, Green, Purple, Blue</td> <td>3 Color Pulse Red, Green, Blue</td> <td>7 Color Fade Red, Yellow, Green, Cyan, Blue, Purple, White</td> </tr> </table> <p>DIY is a Do-It-Yourself memory bank which saves the color of your choice. To enable DIY programming, press the DIY button. Select the color you want by using the Increase/Decrease buttons for Red, Green, and Blue. When finished selecting a color press the DIY button to save it.</p>				Increase Brightness (8 steps)	Decrease Brightness (8 steps)	Pause / Run	On / Off	Static Red	Static Green	Static Blue	Static Cool White	Static Orange	Static Cyan	Static Blue-Purple	Static Yellow-White	Static Light Orange	Static Light Blue	Static Light Purple	Static Pink-White	Static Yellow	Static Sky Blue	Static Purple	Static Green-White	Static Yellow-Green	Static Ice Blue	Static Magenta	Static Blue-White	Increase Red	Increase Green	Increase Blue	Increase Speed	Decrease Red	Decrease Green	Decrease Blue	Decrease Speed	DIY 1	DIY 2	DIY 3	Auto cycle through color changing modes	DIY 4	DIY 5	DIY 6	White Strobe	3 Color Flash Red, Green, Blue	7 Color Flash Red, White, Cyan, Yellow, Green, Purple, Blue	3 Color Pulse Red, Green, Blue	7 Color Fade Red, Yellow, Green, Cyan, Blue, Purple, White
Increase Brightness (8 steps)	Decrease Brightness (8 steps)	Pause / Run	On / Off																																													
Static Red	Static Green	Static Blue	Static Cool White																																													
Static Orange	Static Cyan	Static Blue-Purple	Static Yellow-White																																													
Static Light Orange	Static Light Blue	Static Light Purple	Static Pink-White																																													
Static Yellow	Static Sky Blue	Static Purple	Static Green-White																																													
Static Yellow-Green	Static Ice Blue	Static Magenta	Static Blue-White																																													
Increase Red	Increase Green	Increase Blue	Increase Speed																																													
Decrease Red	Decrease Green	Decrease Blue	Decrease Speed																																													
DIY 1	DIY 2	DIY 3	Auto cycle through color changing modes																																													
DIY 4	DIY 5	DIY 6	White Strobe																																													
3 Color Flash Red, Green, Blue	7 Color Flash Red, White, Cyan, Yellow, Green, Purple, Blue	3 Color Pulse Red, Green, Blue	7 Color Fade Red, Yellow, Green, Cyan, Blue, Purple, White																																													



LC-RF, LC-IR, LC-PC

LED RGB CONTROLLER SOLUTION GUIDE
LC SERIES

Type	
Project	
Catalog No.	

DMX CONTROLLERS

<p>Shown with DL-PS-WP/USB-MN (sold separately)</p>	Part Number	LC-PC-100
	DMX Channels	512 Max
	Number of Scenes	255 Max
	Memory	128K
	Port Triggering	8
	DMX Output	3-pin XLR
	Dimensions	2-3/4"L x 3-3/8"W x 1-1/2"H
	Environment	Indoor, Dry
	Software	Windows XP, 7, 8

* Requires: 1 x Wall plug power supply (DL-PS-WP/USB-MN, sold separately).

PROGRAM CAPACITY				PRE-PROGRAM LIST																					
Channels	20	60	512	For DMX Address 001																					
Max Steps	7677	2877	355																						
<p>An RGB fixture consists of 3 channels. An area consisting of 10 RGB fixtures controlled at the same time will have 3 channels in use. If all 10 RGB fixtures are controlled individually then 30 channels will be in use.</p>				<table border="1"> <thead> <tr> <th>Program Number</th> <th>Description</th> </tr> </thead> <tbody> <tr><td>1</td><td>Off</td></tr> <tr><td>2</td><td>Cool White</td></tr> <tr><td>3</td><td>Red</td></tr> <tr><td>4</td><td>Green</td></tr> <tr><td>5</td><td>Blue</td></tr> <tr><td>6</td><td>Yellow</td></tr> <tr><td>7</td><td>Cyan</td></tr> <tr><td>8</td><td>Purple</td></tr> <tr><td>9</td><td>Color Changing: 15 sec fade, 1 sec color hold Red - Green - Blue - Yellow - Cyan - Purple - Cool White</td></tr> </tbody> </table> <p>Note: Jesco offers custom programming services. Consult factory for more information.</p>		Program Number	Description	1	Off	2	Cool White	3	Red	4	Green	5	Blue	6	Yellow	7	Cyan	8	Purple	9	Color Changing: 15 sec fade, 1 sec color hold Red - Green - Blue - Yellow - Cyan - Purple - Cool White
Program Number	Description																								
1	Off																								
2	Cool White																								
3	Red																								
4	Green																								
5	Blue																								
6	Yellow																								
7	Cyan																								
8	Purple																								
9	Color Changing: 15 sec fade, 1 sec color hold Red - Green - Blue - Yellow - Cyan - Purple - Cool White																								



LC-RF, LC-IR, LC-PC

LED RGB CONTROLLER SOLUTION GUIDE LC SERIES

Type	
Project	
Catalog No.	

	Part Number	LC-PC-400
	DMX Channels	128 Max
	Number of Scenes	24 Max
	Memory	12K
	DMX Output	Hard wire with terminal block
	Dimensions	3-3/8"L x 3-3/8"W x 7/16"H
	Environment	Indoor, Dry
	Software	Windows XP, 7, 8

* Includes hard wire power supply

FEATURES

ON/OFF : Short touch - Easy switch on and off
CHANGE MODE : Touch and hold
To switch between color, scene and dimmer mode

Color Mode	Holding the left or right button allows for direct access to any color. A single touch gives access to the basic colors. Press the 2 arrows at the same time will return to the default color.
Scene Mode	The left and right buttons allow you to change the current scene. A scene can be static or dynamic.
Dimmer Mode	The left and right buttons can be used to change the brightness. Press the 2 buttons simultaneously will reset to the default level.

PROGRAM CAPACITY

Channels in Use	8	16	32	48	96	112	128
Max Steps	326	192	102	68	31	25	21

An RGB fixture consists of 3 channels. An area consisting of 10 RGB fixtures controlled at the same time will have 3 channels in use. If all 10 RGB fixtures are controlled individually then 30 channels will be in use.

PRE-PROGRAM LIST

For DMX Address 001

Program Number	Description
1	Off
2	Cool White
3	Red
4	Green
5	Blue
6	Yellow
7	Cyan
8	Purple
9	Color Changing: 15 sec fade, 1 sec color hold Red - Green - Blue - Yellow - Cyan - Purple - Cool White

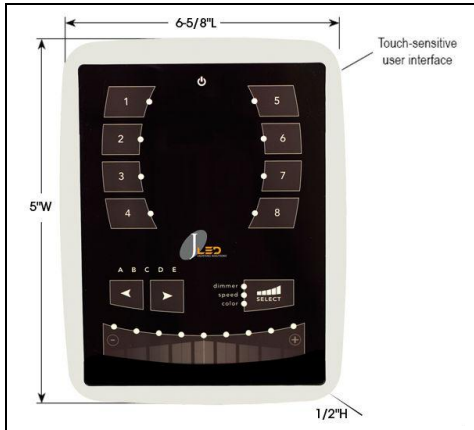
Note: Jesco offers custom programming services. Consult factory for more information.



LC-RF, LC-IR, LC-PC

LED RGB CONTROLLER SOLUTION GUIDE LC SERIES

Type	
Project	
Catalog No.	



Part Number	LC-PC-500
DMX Channels	2 x 512
Number of Scenes	200
Number of Zones	5 Max
Number of Pages	25
DMX Output	Hard wire with terminal block
Dimensions	6-5/8"L x 5"W x 1/2"H
Operating Temp	14 F to 122 F
Environment	Indoor, Dry
Ethernet	Advanced networking features for remote control
Software	Windows XP, 7, 8

* Includes hard wire power supply

<h3>FEATURES</h3> <p>A blue LED is used to indicate whether the unit is on or off (blackout).</p> <p>Buttons 1-8 are used to select individual scenes. Scenes can be static or dynamic. Double pressing the button number will reset to the default scene.</p> <p>Used to cycle between 25 different pages (A, B, C, D, E x 5). In combination with the 8 buttons, 200 scenes can be stored.</p> <p>The select button allows you to cycle through the Dimmer, Speed, and Color fader controls. The fader at the bottom of the unit is used to select the intensity of the Dimmer, Speed, and Color settings.</p> <p>The Green LED indicates the Dimmer, Speed, and Color settings are set to default. If the fader is moved to the left or right of the green LED, one of the blue LEDs will indicate your current intensity level.</p> <p>The fader offers direct access to basic colors and dimming level with a simple touch.</p>	<h3>PRE-PROGRAM LIST</h3> <p>For DMX Address 001</p> <table border="1"> <thead> <tr> <th>Button Number</th> <th>Description</th> </tr> </thead> <tbody> <tr> <td>1</td> <td>Color Changing: 5 sec fade Red - Green - Blue - Yellow - Purple - Cyan - Cool White</td> </tr> <tr> <td>2</td> <td>Red</td> </tr> <tr> <td>3</td> <td>Green</td> </tr> <tr> <td>4</td> <td>Blue</td> </tr> <tr> <td>5</td> <td>Yellow</td> </tr> <tr> <td>6</td> <td>Cyan</td> </tr> <tr> <td>7</td> <td>Purple</td> </tr> <tr> <td>8</td> <td>Cool White</td> </tr> </tbody> </table> <p>For DMX Address 002</p> <table border="1"> <thead> <tr> <th>Button Number</th> <th>Description</th> </tr> </thead> <tbody> <tr> <td>1</td> <td>Color Changing: 5 sec fade Red - Green - Blue - Yellow - Purple - Cyan - Cool White</td> </tr> <tr> <td>2</td> <td>Red</td> </tr> <tr> <td>3</td> <td>Green</td> </tr> <tr> <td>4</td> <td>Blue</td> </tr> <tr> <td>5</td> <td>Yellow</td> </tr> <tr> <td>6</td> <td>Cyan</td> </tr> <tr> <td>7</td> <td>Purple</td> </tr> <tr> <td>8</td> <td>Cool White</td> </tr> </tbody> </table> <p>Note: Jesco offers custom programming services. Consult factory for more information.</p>	Button Number	Description	1	Color Changing: 5 sec fade Red - Green - Blue - Yellow - Purple - Cyan - Cool White	2	Red	3	Green	4	Blue	5	Yellow	6	Cyan	7	Purple	8	Cool White	Button Number	Description	1	Color Changing: 5 sec fade Red - Green - Blue - Yellow - Purple - Cyan - Cool White	2	Red	3	Green	4	Blue	5	Yellow	6	Cyan	7	Purple	8	Cool White
Button Number	Description																																				
1	Color Changing: 5 sec fade Red - Green - Blue - Yellow - Purple - Cyan - Cool White																																				
2	Red																																				
3	Green																																				
4	Blue																																				
5	Yellow																																				
6	Cyan																																				
7	Purple																																				
8	Cool White																																				
Button Number	Description																																				
1	Color Changing: 5 sec fade Red - Green - Blue - Yellow - Purple - Cyan - Cool White																																				
2	Red																																				
3	Green																																				
4	Blue																																				
5	Yellow																																				
6	Cyan																																				
7	Purple																																				
8	Cool White																																				