



2' x 2'



2' x 4'

## ProLED® Volumetric Panel Series



Halco Lighting Technologies' ProLED® Volumetric Panel Series maximizes value as an energy efficient alternative to recessed Fluorescent fixtures. With multiple sizes available, the fixture's lifetime is rated twice as long as a standard T8 Fluorescent, while increasing efficacy of delivered lumens. The ProLED Volumetric Series is backed by a 5-Year Limited Warranty.

### Specifications:

- Available in 1' x 4', 2' x 2' and 2' x 4' for recessed installations
- Specification grade architectural styling provides high-end appearance
- Rated for dry locations and non-IC applications
- Built-in earthquake clips for additional stability
- Premium milk white lens
- Integrated driver multiple knockouts for easy access
- Fast access terminal block for easy thru-wire
- White powder coated steel housing
- Lightweight
- 0-10V dimming standard
- 50,000 hour rated life, up-to 2 times standard T8 Fluorescent
- Available in 3500K, 4000K and 5000K CCT
- 82 CRI provides quality and consistent color rendering
- Quiet & flicker-free LED technology
- No Mercury
- RoHS Compliant
- 5-Year Limited Warranty

- » Dimmable
- » 5-Year Limited Warranty

### Markets:

- Commercial
- Education
- Healthcare
- Hospitality
- Retail

### Applications:

- Office
- Lobby
- Hallway
- Conference Room
- Classroom

where there's light, there's halco®

Contact your account representative at 800.677.3334 for pricing, orders and technical support.

Visit us at [halcolighting.com](http://halcolighting.com)



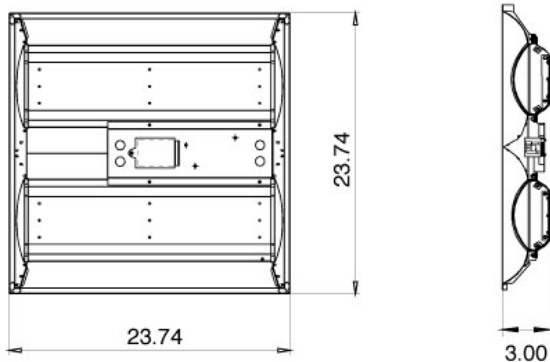
## Ordering Information

Watt	Product #	Product Code	Voltage	CCT	CRI	Lumen Output	Useful Life*	Beam Spread	Dimmable	DLC Listed
<b>2' x 2'</b>										
42	80921	22TFR42/835/LED	120-277V	3500K	82	3570	50000	120°	0-10V	Yes
42	80904	22TFR42/840/LED	120-277V	4000K	82	3600	50000	120°	0-10V	Yes
42	80905	22TFR42/850/LED	120-277V	5000K	82	3650	50000	120°	0-10V	Yes
<b>2' x 4'</b>										
55	80923	24TFR55/835/LED	120-277V	3500K	82	4675	50000	120°	0-10V	Yes
55	80906	24TFR55/840/LED	120-277V	4000K	82	4750	50000	120°	0-10V	Yes
55	80907	24TFR55/850/LED	120-277V	5000K	82	4800	50000	120°	0-10V	Yes
<b>1' x 4'</b>										
42	80922	14TFR42/835/LED	120-277V	3500K	82	3570	50000	120°	0-10V	Yes
42	80913	14TFR42/840/LED	120-277V	4000K	82	3640	50000	120°	0-10V	Yes
42	80914	14TFR42/850/LED	120-277V	5000K	82	3750	50000	120°	0-10V	Yes

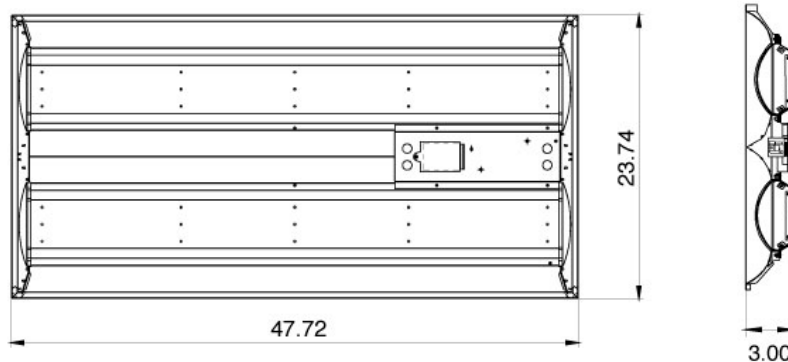
\* Useful Life is defined as the point in time at which the lamp will maintain at least 70% of its initial lumens. The lamp will continue to operate past this point at decreased light levels. May not be compatible with all dimming systems, dimming performance may vary by system.

## Dimensions

22TFR42/835/LED  
 22TFR42/840/LED  
 22TFR42/850/LED



24TFR55/835/LED  
 24TFR55/840/LED  
 24TFR55/850/LED



14TFR42/835/LED  
 14TFR42/840/LED  
 14TFR42/850/LED

