



LED LAMPS

ProLED[®] PL Direct Series



Energy
Saver



50,000
Hour Life



Ballast
Compatible

ProLED Plug-In lamps are long-lasting, energy efficient replacements for CFL lamps with 4-pin G24q bases without any fixture re-wiring



Dedicated Horizontal and Vertical Orientation Versions (Horizontal Features Rotatable Socket Alignment)

Lasts 5 times Longer Than CFL

CFL Ballast Compatible

Backed By a 5-Year Warranty

Applications:

- Office
- Hospitality
- Medical
- Retail

Markets:

- Commercial
- Hospitality
- Retail



Contact Your Customer Care Specialist For Pricing, Orders And Technical Support.

800.677.3334 www.halcolighting.com

ProLED®

PL Direct Series

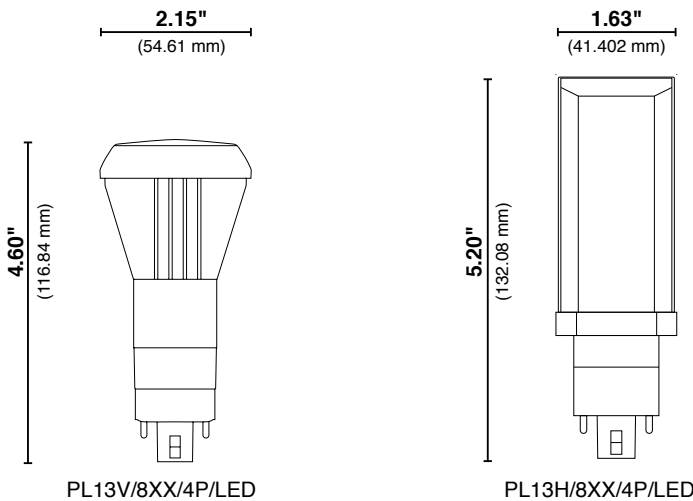
Product #: _____ Type: _____

Project: _____ Date: _____

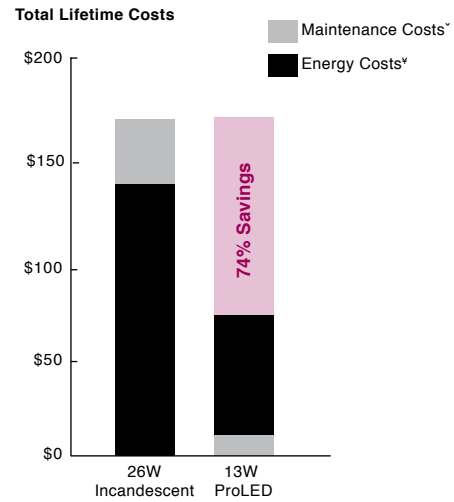
Comments: _____ Initials: _____

Specifications

- 50,000 hour life resulting in lower maintenance costs over time
- Vertical and horizontal lamps available
- Horizontal socket rotates for proper orientation in luminaire
- Works with existing 18W, 26W, 32W and 42W electronic CFL ballasts
- Mercury-free for safer operation and disposal
- RoHS Compliant
- Fits G24q and GX24q Sockets (26, 32, and 42W CFL)
- Instant-On
- Dimmable
- -20C (-4F) to 45C (113F) operating temperatures
- UL classified 1598C Retrofit Kit



Savings Comparison



* Maintenance costs based on 15 minutes at \$40 per/hr
 † Energy costs based on \$0.11 kWh

Ordering Information



	Watt	Base	Product #	Product Code	Color Temp.	CRI	Lumens	Useful Life*	Pkg. Qty.	MOL	Equivalent Wattage
Vertical											
⊕	13	G24q/GX24q	81110	PL13V/827/4P/LED	2700	82	1000	50,000	1/10	4.6"	26
⊕	13	G24q/GX24q	81111	PL13V/830/4P/LED	3000	82	1000	50,000	1/10	4.6"	26
⊕	13	G24q/GX24q	81112	PL13V/835/4P/LED	3500	82	1000	50,000	1/10	4.6"	26
⊕	13	G24q/GX24q	81113	PL13V/841/4P/LED	4100	82	1000	50,000	1/10	4.6"	26
⊕	13	G24q/GX24q	81114	PL13V/850/4P/LED	5000	82	1000	50,000	1/10	4.6"	26
Horizontal											
⊕	13	G24q/GX24q	81115	PL13H/827/4P/LED	2700	82	1000	50,000	1/10	5.2"	26
⊕	13	G24q/GX24q	81116	PL13H/830/4P/LED	3000	82	1000	50,000	1/10	5.2"	26
⊕	13	G24q/GX24q	81117	PL13H/835/4P/LED	3500	82	1000	50,000	1/10	5.2"	26
⊕	13	G24q/GX24q	81118	PL13H/841/4P/LED	4100	82	1000	50,000	1/10	5.2"	26
⊕	13	G24q/GX24q	81119	PL13H/850/4P/LED	5000	82	1000	50,000	1/10	5.2"	26

⊕ NEW ITEM

* Useful Life is defined as the point in time at which the lamp will maintain at least 70% of its initial lumens. The lamp will continue to burn past this point, but at decreased light levels.

Warranty – Commercial / Industrial: This product is warranted for 5 years from the date of purchase, based on 10 hours of use per day. Must be operated with an ambient fixture temperature between -4°F(-20°C) and 113°F(45°C).