

Type \_\_\_\_\_  
 Project \_\_\_\_\_  
 Catalog No. \_\_\_\_\_  
 Lamp/Wattage \_\_\_\_\_

**NTH-107 (Line Voltage Track)**

**Rear Loading Gimbal Ring.**

Lamp: 75W PAR30 (not included)

**PRODUCT DESCRIPTION**

Line voltage cylindrical housing with round back design and black baffle. includes a yoke that provides full adjustment of light source for special aiming and has single tightening knobs assure secure lock on angle position.

**FEATURES**

- Die cast aluminum provies superior strength and rigidity.
- Black baffle eliminates glare and adds finished touch.
- One or two circuit track capable.

**CONSTRUCTION**

Housing

0.030" Deep drawn steel construction with simple, yet decorative design. All edges are softened for aesthetic appearance

Baffle

0.085" Black finished phenolic high heat rated plastic baffle, provides finished appearance and assists in eliminating glare from housing interior

Yoke

0.085" Rigid steel "wishbone" yoke connects fixture housing to electrical contact head. Single plastic angle tightening knobs maintain clean, decorative appearance of the fixture and provides secure angle position

**ELECTRICAL SYSTEM**

Socket

Porcelain jacketed aluminum screw thread medium-base socket

Lamp

75W PAR30 Maximum (not included)

One/Two Circuit Conversion

Positive contact (opposite neutral and ground contacts) is preset to "down" position at factory but may be raised to the higher position to install onto the second circuit of Nora Lighting NT- 2300 series two-circuit track.

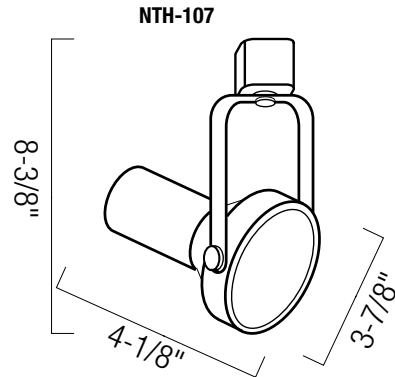
**FINISHES**

Black, and White powder coated finishes available, Natural Metal, and Bronze also available. Contact warehouse for custom finishes.

**LABELS AND LISTINGS**

UL Listed.

**DIMENSIONS**



Diameter: 3-7/8"  
 Length : 4-1/8"  
 Max. Extension: 8-3/8"



**Rear Loading Gimbal Ring.**

| Catalog No.    | Min. - Max Wattage | Finishes                 | Style                  |
|----------------|--------------------|--------------------------|------------------------|
| <b>NTH-107</b> | 75W                | <b>B</b> = Black         | <b>Blank</b> = H-Style |
|                |                    | <b>W</b> = White         | <b>J</b> = J-Style     |
|                |                    | <b>N</b> = Natural Metal | <b>L</b> = L-Style     |
|                |                    | <b>BZ</b> = Bronze       |                        |

Create a complete track head number: Example: **NTH - 1 07 B**