

Type _____
 Project _____
 Catalog No. _____
 Lamp/Wattage _____

NTH-102 (Line Voltage Track)
 Flatback Cylinder with black baffle.
 Lamp: 75W BR/PAR30

PRODUCT DESCRIPTION

Line voltage flatback cylinder with black baffle. Fixture includes a structural arm that provides full adjustment of light source for special aiming and completely conceals wire lead from socket to contact head. Internal mechanism allows for adjustment and resists angle degradation.

FEATURES

- Die cast aluminum provides superior strength and rigidity.
- Black baffle eliminates glare and adds finished touch.
- One or two circuit track capable.

CONSTRUCTION

Housing

0.030" Deep drawn steel construction with simple, cylindrical design. All edges are softened for aesthetic appearance.

Structural Arm

Extruded 0.055" aluminum arm connects fixture housing to electrical contact head. Internal tightening mechanism maintains desired lamp aiming angles. Structural arm also functions as wire way, completely concealing lead wire from socket to contact head.

Baffle

0.085" Black finished phenolic high heat rated plastic baffle, provides finished appearance and assists in eliminating glare from housing interior.

ELECTRICAL SYSTEM

Socket

Porcelain jacketed aluminum screw thread medium-base socket

Lamp

75W BR/PAR30 (not included).

One/Two Circuit Conversion

Positive contact (opposite neutral and ground contacts) is preset to "down" position at factory but may be raised to the higher position to install onto the second circuit of Nora Lighting NT- 2300 series two-circuit track.

FINISHES

Black and White powder coated finishes available, contact warehouse for custom finishes.

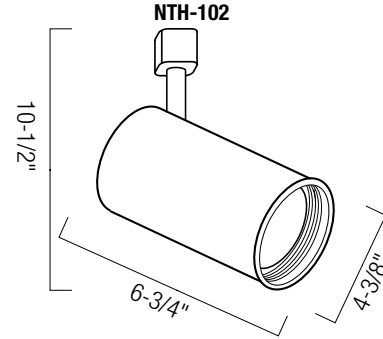
ACCESSORIES

- NT-339 BR30/PAR30 Black Barn Door
- NT-342 BR30/PAR30 Black Louver (requires NT-339 or NT-345)
- NT-345 BR30/PAR30 Black Accessory Holder

LABELS AND LISTINGS

UL Listed for dry location

DIMENSIONS



Diameter: 4-3/8"
 Length : 6-3/4"
 Max. Extension: 10-1/2"



Flatback Cylinder with black baffle.

Catalog No.	Min. - Max Wattage	Finishes	Style
NTH-102	75W	B = Black	Blank = H-Style
		W = White	J = J-Style
			L = L-Style

Create a complete track head number: Example: NTH - 614S