

NTE-850
Aiden LED Track Fixture

Source: 10W LED
720lm

PRODUCT DESCRIPTION

LED Track luminaire with architectural style die-cast aluminum and heat dissipating fins body. Luminaire includes two different beam angles, 19° and 38°.

FEATURES

- Over 75% energy savings when compared to incandescent
- 720lm / 10W LED output
- 3000K or 4000K @ 80 CRI
- Integral dimmable driver
- 5-year limited warranty
- Available in 19° or 38° beam spreads (38° is installed)
- Rated for 50,000 hours at L70
- DLC Listed

CONSTRUCTION

Die-cast aluminum construction with heat dissipating fins, for driver and LED package to optimize heat management

Adjustability: 350° horizontal and 90° vertical adjustment

ELECTRICAL

Binning: 2-step MacAdam (2 SDCM)

Lumens / Wattage: 720lm / 10W

Voltage: 120 VAC, 50/60 Hz

CRI: 80+

Dimming: Trailing Edge (ELV) dimmer only, will not work with Leading Edge (Triac) dimmers. Do not dim below 10% dimming range, or flickering will occur. See dimmer compatibility chart below.

[Click Here](#) or check complete dimmer list at www.NoraLighting.com in the "Compatibility" page under "Resources" tab

FINISH

Available in black, silver and white finishes.

ONE / TWO CIRCUIT CONVERSION

Positive contact (opposite neutral and ground contacts) is preset to "down" position at factory, but may be raised to the higher position to install onto the second circuit of Nora Lighting NT-2300 series two-circuit track.

OPTIONAL HEAT SINK CAP

Aiden track head comes standard with an exposed heat sink. An optional heat sink cap can be specified to offer an clean "cylindrical" appearance.

LABELS AND LISTINGS

- cULus Listed
- DLC Certified
- 5-Year Limited Warranty



DIMMER COMPATIBILITY CHART

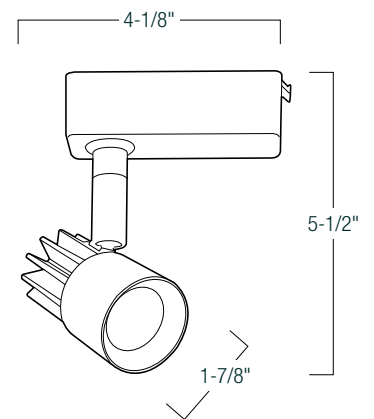
Brand	Part Number
Lutron Diva	DVELV-303P
Lutron Maestro	MAELV-600
Lutron HomeWorks QS	HQRD 6NA

PRODUCT IMAGES AND DIMENSIONS



Exposed Heat Sink

Heat Sink Cap (installed)



Jason LED Track Fixture

Series	Color Temp.	Beam Spread	Heat Sink	Wattage	Finish
NTE-850L	30 = 3000K	X = 38° installed	(blank) = Exposed Heat Sink	10 = 10W	B = Black
	40 = 4000K	(19° included)	A = Heat sink cap (installed)		S = Silver
					W = White

Optional Accessories

Description
NT-379B = Monopoint Adapter, Black
NT-379S = Monopoint Adapter, Silver
NT-379W = Monopoint Adapter, White

Example: NTE-850L30X10B = Aiden LED Track Fixture, 3000K, Exposed Heat Sink, Black Finish

PHOTOMETRICS

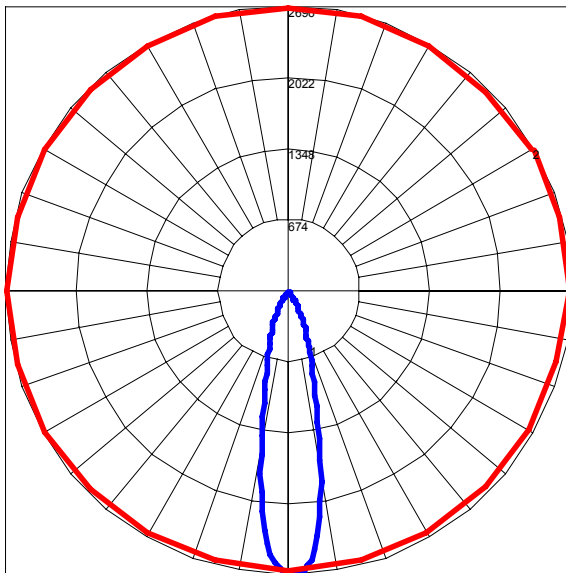
Aiden LED Track Fixture

TESTED MODEL: NTE-850L30S10W (Spot)
Source: 762lm / 10.8W

COEFFICIENTS OF UTILIZATION CONAL CAVITY METHOD
EFFECTIVE FLOOR CAVITY REFLECTANCE = 0.20

RC	80				70				50			30			10			0
RW	70	50	30	10	70	50	30	10	50	30	10	50	30	10	50	30	10	0
0	119	119	119	119	116	116	116	116	111	111	111	107	107	107	102	102	102	100
1	115	112	110	108	112	110	108	106	106	105	103	102	101	100	99	98	97	96
2	110	106	103	100	108	104	101	99	101	99	97	98	96	95	96	94	93	91
3	106	101	97	93	104	99	96	93	97	94	91	94	92	90	92	90	88	87
4	102	96	91	88	100	95	91	87	93	89	86	91	88	85	89	87	85	83
5	98	92	87	83	97	91	86	83	89	85	82	87	84	82	86	83	81	80
6	95	88	83	79	94	87	82	79	86	82	79	84	81	78	83	80	78	76
7	92	84	79	76	90	84	79	76	82	78	75	81	78	75	80	77	75	74
8	88	81	76	73	87	80	76	73	79	75	72	78	75	72	78	74	72	71
9	86	78	73	70	85	77	73	70	77	73	70	76	72	70	75	72	69	68
10	83	75	71	68	82	75	70	67	74	70	67	73	70	67	73	69	67	66

POLAR GRAPH



Maximum Candela = 2696.462 Located At Horizontal Angle = 90, Vertical Angle = 1

1 - Vertical Plane Through Horizontal Angles (90 - 270) (Through Max. Cd.)

2 - Horizontal Cone Through Vertical Angle (1) (Through Max. Cd.)

ZONAL LUMEN SUMMARY

ZONE	LUMENS	%LAMP
0-20	485.28	63.80
0-30	670.18	88.10
0-40	740.31	97.30
0-60	754.30	99.20
0-80	761.28	100.10
0-90	761.75	100.20
10-90	549.86	72.30
20-40	255.02	33.50
20-50	263.35	34.60
40-70	18.66	2.50
60-80	6.97	0.90
70-80	2.31	0.30
80-90	0.47	0.10
90-110	0.00	0.00
90-120	0.00	0.00
90-130	0.00	0.00
90-150	0.00	0.00
90-180	0.00	0.00
0-180	761.75	100.20

PHOTOMETRICS

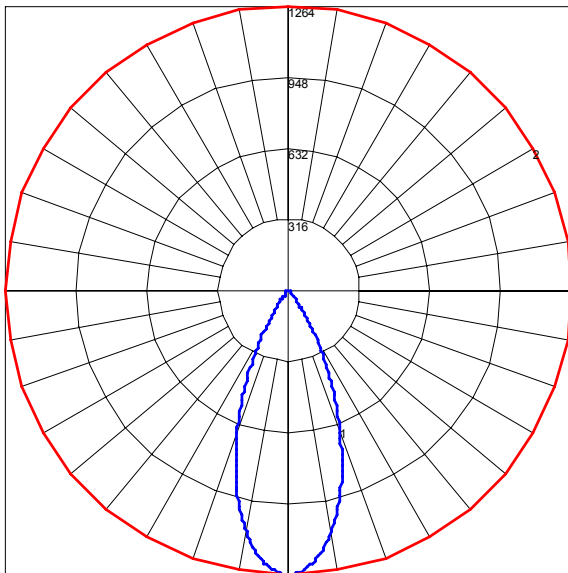
Aiden LED Track Fixture

TESTED MODEL: NTE-850L30F10W (Flood)

COEFFICIENTS OF UTILIZATION CONAL CAVITY METHOD
EFFECTIVE FLOOR CAVITY REFLECTANCE = 0.20

RC	80				70				50			30			10			0
	70	50	30	10	70	50	30	10	50	30	10	50	30	10	50	30	10	0
0	119	119	119	119	116	116	116	116	111	111	111	106	106	106	102	102	102	100
1	114	112	109	107	112	109	107	106	105	104	102	102	100	99	98	97	96	95
2	109	105	101	98	107	103	100	97	100	97	95	97	95	93	94	93	91	90
3	105	99	95	91	103	98	94	90	95	92	89	93	90	88	91	88	86	85
4	100	94	89	85	99	93	88	85	90	87	84	89	85	83	87	84	82	80
5	96	89	84	80	95	88	83	80	86	82	79	85	81	78	83	80	78	76
6	92	84	79	75	91	84	79	75	82	78	75	81	77	74	80	76	74	72
7	88	80	75	71	87	80	75	71	79	74	71	77	73	71	76	73	70	68
8	85	77	71	68	84	76	71	68	75	71	67	74	70	67	73	70	67	65
9	82	73	68	65	81	73	68	65	72	67	64	71	67	64	70	67	64	62
10	79	70	65	62	78	70	65	62	69	65	61	68	64	61	68	64	61	60

POLAR GRAPH



Maximum Candela = 1263.6 Located At Horizontal Angle = 0, Vertical Angle = 1

1 - Vertical Plane Through Horizontal Angles (0 - 180) (Through Max. Cd.)

2 - Horizontal Cone Through Vertical Angle (0) (Through Max. Cd.)

ZONAL LUMEN SUMMARY

ZONE	LUMENS	%LAMP
0-20	359.15	N.A.
0-30	562.16	N.A.
0-40	632.35	N.A.
0-60	648.24	N.A.
0-80	562.63	N.A.
0-90	562.94	N.A.
10-90	540.89	N.A.
20-40	273.19	N.A.
20-50	283.44	N.A.
40-70	18.93	N.A.
60-80	4.39	N.A.
70-80	1.35	N.A.
80-90	0.31	N.A.
90-110	0.00	N.A.
90-120	0.00	N.A.
90-130	0.00	N.A.
90-150	0.00	N.A.
90-180	0.00	N.A.
0-180	652.94	N.A.