

NTE-845 Series

Aiden 15W LED Track Head

Lamp: 15W 1150Lm LED Source

PRODUCT DESCRIPTION

LED Track Fixture with Architectural Styled die-cast aluminum and heat dissipating fins body. Available with two different beam angles; 18° and 38°. Comes in 3000K and 4000K color Temperature.

FEATURES

- Over 75% energy savings when compared to incandescent
- Up to 1150 Lumens and 83 CRI
- Includes 18° and 38° reflectors. (38° degree installed)
- Available in two different color temperatures: 3000K or 4000K CCT
- Single White LED chip
- Black, Silver, White Finishes
- One or two circuit track capable
- Available in standard H-Style

CONSTRUCTION

Housing: Die-cast construction with heat dissipating fins, for driver and LED package to optimize heat management.

Driver: Integral and dimmable

Adjustability: 350° horizontal and 90° vertical adjustment.

Contact Head Assembly

Three 0.030 stainless steel contacts mounted in premium plastic housing.

One/Two Circuit Conversion

Positive contact (opposite neutral and ground contacts) is preset to "down" position at the factory, but may be raised to the high position to install onto the second circuit of Nora Lighting's NT-2300 series two-circuit track.

Finishes: Black, Silver, or White power coated.

ELECTRICAL

Power Consumption: 15W

Lumens: 1150lm

Color Rendering Index: 83 CRI

Light Source: Single White LED chip

Beam Spread: 18° or 38°

Life Expectancy: 30,000 Hours

Color Temperature: Warm White (3000K), Cool White (4000K)

Applications

Excellent choice for commercial, retail stores, art, and jewelry applications.

Compatibility

Nora track heads are compatible with H-Style or any other brands configured to H-Style 3 wire track configuration. Consult factory for J or L Option.

Note: Fixtures may not be compatible with non-Nora monopoint adapters.

Type

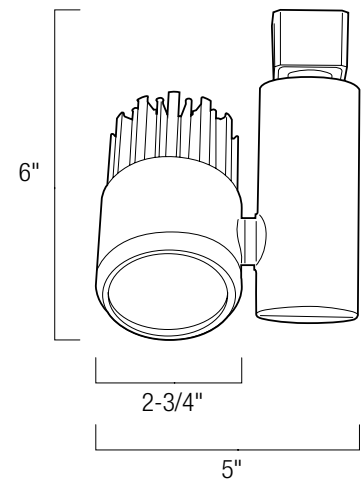
Project

Catalog No.

Lamp/Wattage

DIMENSIONS

Width: 5"
Height: 6"
Diameter: 2-3/4"
Max. Extension: 6-1/4"



Labels and Warranty

cULus Listed
5-Year Limited Warranty

Tested Dimmers

- Lutron Diva DVELV-300P ELV
- Lutron Diva C V DVCL-153P CFL/Incandescent/Halogen
- Lutron Diva DVLV-600P MLV
- Lutron Sky Lark S-600P Incandescent/Halogen
- Lutron Maestro MRF2-6MLV Incandescent/Halogen
- Leviton ELV



AIDEN 15W LED TRACK

CATALOG. NO.	SOURCE	COLOR TEMP.	BEAM SPREAD	WATTAGE	FINISH
NTE-845	L = LED	30 = 3000K 40 = 4000K	X = Includes spot & flood reflector	15 = 15W	B = Black S = Silver W = White

Note: Example: NTE-845L30XF35B - Aiden 15W LED track, 3000K, Flood & Spot Beam Spread, Black finish