

NTE-842 Series
Aiden 35W LED Track Head

Lamp: 35W LED Source

Type _____
Project _____
Catalog No. _____
Lamp/Wattage _____

PRODUCT DESCRIPTION

LED Track Fixture with Architectural Styled die-cast aluminum and heat dissipating fins body. Available with two different beam angles; 18° and 38°. Comes in 3000K and 4000K color Temperature.

FEATURES

- Over 75% energy savings when compared to incandescent
- Up to 2231 Lumens and 80 CRI
- Beam spread of 18° or 38°
- Available in two different color temperatures: 3000K or 4000K CCT
- Single White LED chip
- Black, Silver, White Finishes
- One or two circuit track capable
- Available in standard H-Style

CONSTRUCTION

Housing: Die-cast construction with heat dissipating fins, for driver and LED package to optimize heat management.

Driver: Integral and dimmable

Adjustability: 350° horizontal and 90° vertical adjustment.

Contact Head Assembly

Three 0.030 stainless steel contacts mounted in premium plastic housing.

One/Two Circuit Conversion

Positive contact (opposite neutral and ground contacts) is preset to "down" position at the factory, but may be raised to the high position to install onto the second circuit of Nora Lighting's NT-2300 series two-circuit track.

Finishes: Black, Silver, or White power coated.

ELECTRICAL

Power Consumption: 35W

Lumens: 2231lm @ 3000K / 2231lm @ 4000K

Color Rendering Index: 80 CRI

Light Source: Single White LED chip

Beam Spread: 18° or 38°

Life Expectancy: 50,000 Hours

Color Temperature: Warm White (3000K), Cool White (4000K)

Applications

Excellent choice for commercial, retail stores, art, and jewelry applications.

Compatibility

Nora track heads are compatible with H-Style or any other brands configured to H-Style 3 wire track configuration. Consult factory for J or L Option.

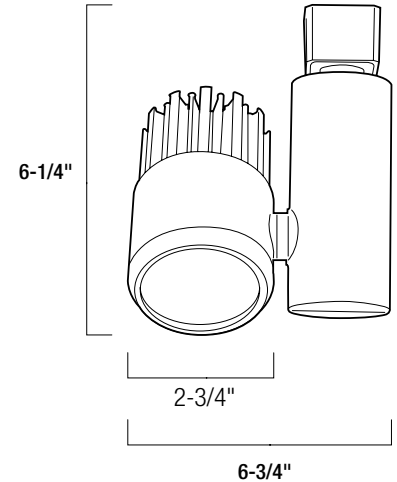
Note: Fixtures may not be compatible with non-Nora monopoint adapters.

Labels and Warranty

cULus Listed
5-Year Limited Warranty
DLC certified



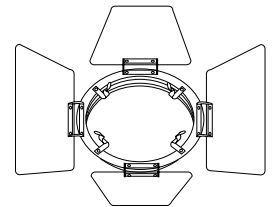
DIMENSIONS



Width: 6-3/4"
Height: 6-1/4"
Diameter: 2-3/4"
Max. Extension: 7-5/8"

Dimming:

[Click Here](#) or refer to www.NoraLighting.com for complete updated dimmer list in the "Compatibility" page under the "Resource" tab.



Optional Accessories

NT-339CPB: Barn Door, Black
NT-339CPW: Barn Door, White
NT-339CPS: Barn Door, Silver

AIDEN 15W LED TRACK

CATALOG. NO.	SOURCE	COLOR TEMP.	BEAM SPREAD	WATTAGE	FINISH
NTE-842	L = LED	30 = 3000K	F = Flood	35 = 35W	B = Black
		40 = 4000K	S = Spot		S = Silver
					W = White

Note: Example: NTE-842L30F35B - Aiden 35W LED track, 3000K, Flood Beam Spread, Black finish

Aiden
NTE-842L30
 35W LED Track

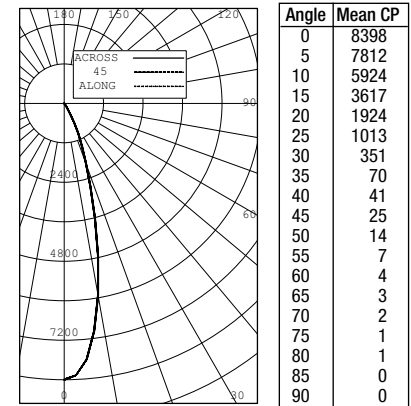
NTE-842L30 (35 Watt - 3000K)

Input Watts: 37.88W	Lumens: 2231L	CRI: 80.1	Efficacy: 58.9L/Watt	CCT: 3037K	PF: 0.983	SC: 0.5
----------------------------	----------------------	------------------	-----------------------------	-------------------	------------------	----------------

COEFFICIENTS OF UTILIZATION CONAL CAVITY METHOD
 EFFECTIVE FLOOR CAVITY REFLECTANCE = 0.20

CC	90				80				70				50			30			10			0
WALL	70	50	30	10	70	50	30	10	70	50	30	10	50	30	10	50	30	10	50	30	10	0
RCR																						
0	1.22	1.22	1.22	1.22	1.19	1.19	1.19	1.19	1.16	1.16	1.16	1.16	1.11	1.11	1.11	1.06	1.06	1.06	1.02	1.02	1.02	1.00
1	1.18	1.16	1.14	1.12	1.16	1.14	1.12	1.10	1.13	1.12	1.10	1.09	1.08	1.06	1.05	1.04	1.03	1.02	1.01	1.00	0.99	0.98
2	1.14	1.11	1.08	1.06	1.12	1.09	1.07	1.05	1.11	1.08	1.05	1.03	1.04	1.03	1.01	1.02	1.00	0.99	0.99	0.98	0.97	0.96
3	1.11	1.07	1.04	1.01	1.10	1.06	1.03	1.00	1.08	1.04	1.02	1.00	1.02	1.00	0.98	1.00	0.98	0.97	0.98	0.97	0.95	0.94
4	1.09	1.04	1.00	0.98	1.07	1.03	1.00	0.97	1.06	1.02	0.99	0.96	1.00	0.97	0.95	0.98	0.96	0.94	0.96	0.95	0.93	0.92
5	1.06	1.01	0.97	0.94	1.05	1.00	0.96	0.94	1.03	0.99	0.96	0.93	0.97	0.95	0.93	0.96	0.94	0.92	0.95	0.93	0.91	0.90
6	1.04	0.98	0.94	0.92	1.03	0.98	0.94	0.92	1.01	0.97	0.94	0.91	0.96	0.93	0.91	0.94	0.92	0.90	0.93	0.91	0.90	0.89
7	1.01	0.95	0.92	0.90	1.00	0.95	0.92	0.89	0.99	0.94	0.91	0.89	0.93	0.90	0.89	0.92	0.90	0.88	0.91	0.89	0.88	0.87
8	0.99	0.93	0.90	0.87	0.98	0.93	0.89	0.87	0.97	0.92	0.89	0.87	0.91	0.88	0.86	0.91	0.88	0.86	0.90	0.87	0.86	0.85
9	0.97	0.91	0.88	0.85	0.96	0.91	0.87	0.85	0.95	0.90	0.87	0.85	0.89	0.86	0.84	0.89	0.86	0.84	0.88	0.86	0.84	0.83
10	0.95	0.89	0.85	0.83	0.94	0.88	0.85	0.83	0.93	0.88	0.85	0.83	0.87	0.85	0.83	0.87	0.84	0.83	0.87	0.84	0.82	0.82

INTENSITY (CANDLEPOWER) SUMMARY



LUMINACE SUMMARY CD./SQ.M.

ANGLE	MEAN CD/SQ M
45	7653
55	2842
65	1614
75	1164
85	568

ZONAL LUMENS & PERCENTAGES

ZONE	LUMENS	% LUMINAIRE
0-30	2140	95.57
0-40	2208	98.61
0-60	2234	99.79
0-90	2239	100.00
40-90	31	1.39
60-90	5	0.21
90-180	0	0.00
0-180	2239	100.00