

# Installation Instructions

\*\*\*URGENT: READ PRIOR TO ATTEMPTING INSTALLATION\*\*\*

## NRS92-P42/35 LED PENDANT FOR DECORATIVE GLASS

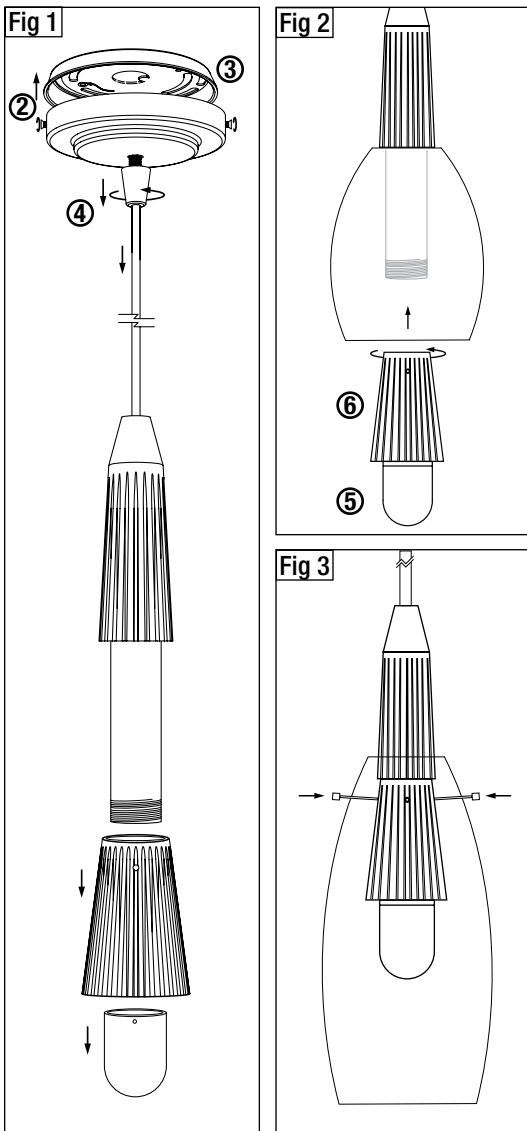
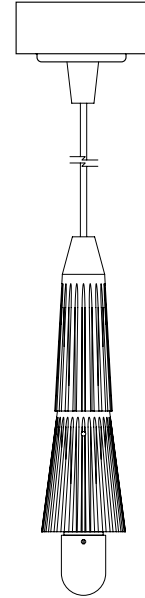
ALWAYS TURN OFF MAIN POWER BEFORE INSTALLATION

Item #	Description	Rating
NRS92-P42/35BN	14W LED Canopy Mount Pendant, Brushed Nickel	14W, 3500K
NRS92-P42/35BZ	14W LED Canopy Mount Pendant, Bronze	14W, 3500K

### WARNING: Fire/Electrical Hazard

This equipment is intended to be installed only by a qualified Electrician. The installation must be made in accordance with the current edition to the National Electric Code and all applicable state and local building codes. The final installation must be approved by the appropriate qualified electrical/building inspector(s). Improper installation may result in a fire or electrical hazard. Be sure the electrical power to the circuit has been disconnected before installing this electrical system.

INSTALLATION SHOULD BE CARRIED OUT BY YOUR LOCAL ELECTRICIAN.



### Installation Instructions

1. Ensure electrical power is off.
2. Remove set screws from canopy and remove junction box plate.
3. Attach junction box plate to junction box.
4. Pendant length can be adjusted by loosening canopy coupler.

### For Glasses with Small 7/8" Hole (Figure 2.)

5. Remove the Glass shield by turning glass clockwise.
6. Place the glass shade up and over the shaft as shown and secure it by screwing the bottom Fitter (6) back onto the shaft.
7. Re-attach the Glass shield.
8. Ensure length is correct, attach wires in canopy to wires in junction box. Lock down canopy to junction box plate (3).

### For Glasses with Larger 3-Pin Hole (Figure 3.)

9. Place the glass shade over the socket while placing the pins through each glass hole and into the threaded portion of the Fitter.
10. Ensure length is correct, attach wires in canopy to wires in junction box. Lock down canopy to junction box plate (3).