

# Installation Instructions

\*\*\*URGENT: READ PRIOR TO ATTEMPTING INSTALLATION\*\*\*

## NPTCB SERIES LED TROFFER

INSTALLATION SHOULD BE CARRIED  
OUT BY YOUR LOCAL ELECTRICIAN.

ALWAYS TURN OFF MAIN POWER BEFORE INSTALLATION

Item No.	Description
NPTCB-E14	1' x 4' LED Troffer
NPTCB-E22	2' x 2' Troffer
NPTCB-E24	2' x 4' LED Troffer

### **PLEASE READ: Important Information Before Installation**

This equipment is intended to be installed only by qualified personnel. The installation must be made in accordance with the current edition to the National Electric Code and all applicable state and local building codes. The final installation must be approved by the appropriate qualified electrical/building inspector(s). Improper installation may result in a fire or electrical hazard. Be sure the electrical power to the circuit has been disconnected before installing this electrical system.

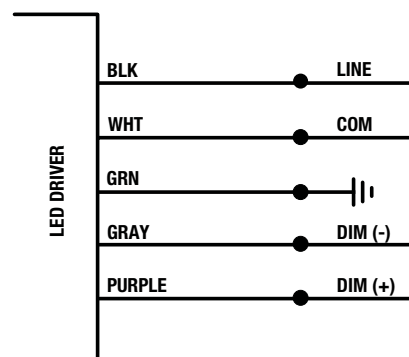
1. Review the diagrams thoroughly and disconnect all electrical power before installation to avoid electric shock.
2. Do not mount near flammable materials or electric heaters.
3. Do not let power supply cords touch hot surface.
4. Fixture is for indoor and dry location, Do not use for outdoor location.
5. The fixture shall be installed or maintained by qualified electrician or person who is familiar with the luminaires.

### **On-Off Wiring Steps:**

1. Remove knockout plates
2. Remove round knock-out and connect conduit or Romex to wiring box with proper connectors. AC input connect neutral to AC-N, the line connect to AC-L, and ground connect to the green wire.
3. 0-10V Dimmable Wiring.
4. Connect low voltage leads from 0-10V dimming device to respective DIM+ and DIM- of the terminal block.

Universal voltage driver permits operation at 120V thru 277V, 50 or 60Hz. 0-10V control wires must be rated for 300V minimum.

### 0-10V DIMMING



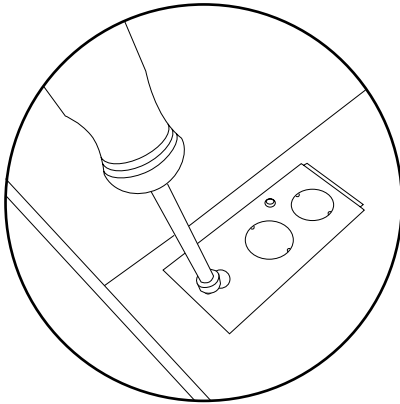
120/277 VOLT LED WIRING

# Installation Instructions

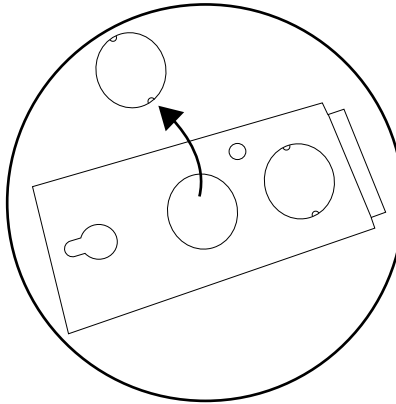
\*\*\*URGENT: READ PRIOR TO ATTEMPTING INSTALLATION\*\*\*

## NPTCB SERIES

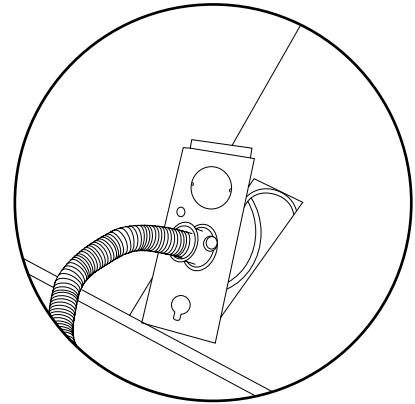
### LED TROFFER



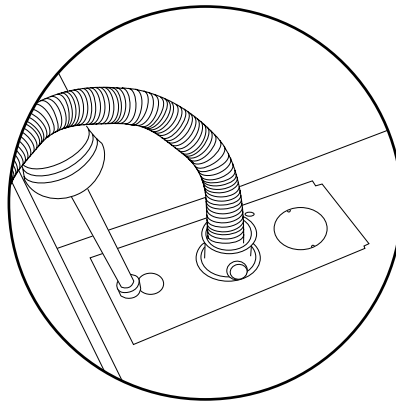
**STEP 1**  
Remove knock out plate.



**STEP 2**  
Remove the preferred knock out



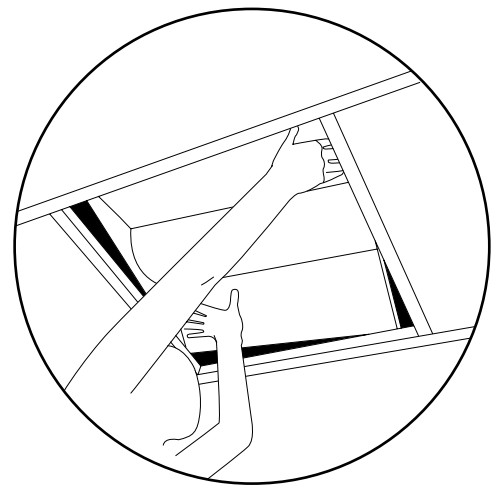
**STEP 3**  
Insert Connector. Wire to fixture appropriately based on dimming requirements. See wire diagram on fixture.



**STEP 4**  
Reinstall the knock out plate.



**STEP 5**  
Install troffer into grid.



**STEP 6**  
Adjust fixture to sit properly in grid. Ensure fixture is installed based on the local codes.