

NOX-434 4" LED Onyx Adjustable Series (650 Lumen / 10.5 Watt max)

PRODUCT DESCRIPTION

The Onyx Series LED fixture is suitable for use with a 4" recessed housing by Nora or others. The Onyx produces even illumination without diode image. The low profile dimmable unit is cULus damp listed and produces 650 lumens at 90+ CRI.

FEATURES:

- 650 lumens
- High color rendition: 90+ CRI
- 120V / 10.5 Watts max
- 18° Adjustability
- 2700K, 3000K or 4000K
- Integral driver
- Dimmable
- Recessed mount into 4" housing. Includes medium base socket adaptor for easy retrofitting in 4" recessed housings.
- Quick connector is compatible with Nora NHIC -4LMRAT and NHRIC-4LMRAT dedicated LED housings. Required by some codes in recessed can applications or to meet energy rebate program requirements.

CONSTRUCTION:

Two adjacent spring steel mounting blades allow for easy and secure mounting in most 4" housings. Unitized Thermal Management, UTM, One piece aluminum die formed housing and trim. Aluminum body dissipates heat and extends life.

OPTICS:

Nora specified and designed precision molded lens for optimal lumen output and even distribution. The white polymer lens diffuser evenly distributes the light.

ELECTRICAL:

Lumen Output: 650lm
 CRI: 90+
 Power: 10.5W max
 Dimmable: 5% with electronic low voltage dimmer or 10% with 2-wire dimmer

HOUSINGS:

Compatible with most 4" IC and non-IC Housings

FINISHES:

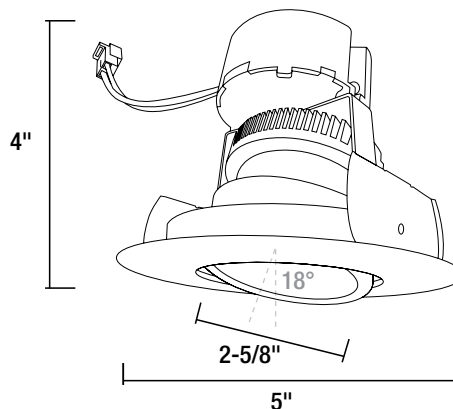
White

LABELS & LISTINGS:

Energy Star Listed.
 cULus Damp Listed
 CEC Title 24 / JA8 Compliant
 Meets ASTM-E283 Air Tight requirements
 5 Year Limited Warranty on the Onyx Series



DIMENSIONS



Diameter: 5"
 Aperture: 2-5/8"
 Height: 4"
 Adjustable: 18°



Medium Base Socket

Included for quick retrofit to medium base screw in housings.

DIMMERS:

[Click Here](#) or refer to www.NoraLighting.com for complete updated dimmer list in the "Compatibility" page under the "Resource" tab.

4" LED Onyx Series

Catalog No.	CCT	Finish
NOX-434 Adjustable	27 = 2700K	WW = White
	30 = 3000K	
	40 = 4000K	

Create a complete item number, Example: NOX-43440WW 4" Onyx Adjustable LED retrofit, 4000K and White finish

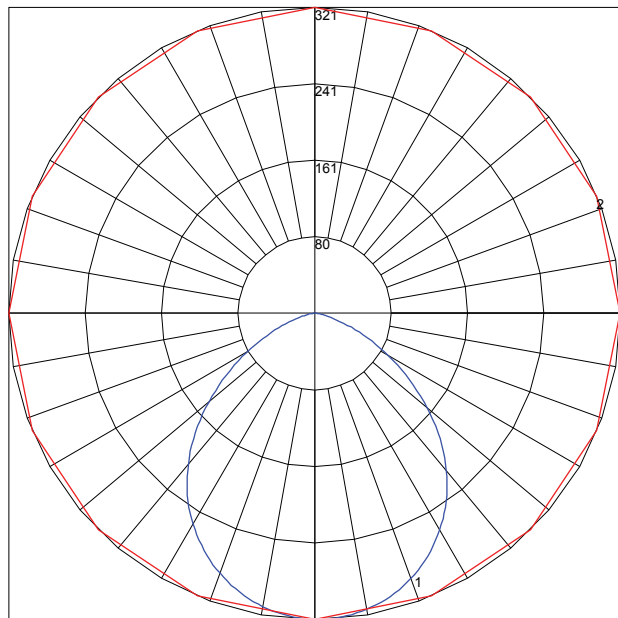
NOX-434 4" LED Onyx Adjustable Series (650 Lumen / 10.5 Watt max)

COEFFICIENTS OF UTILIZATION - ZONAL CAVITY METHOD

Effective Floor Cavity Reflectance 0.20

RC	80				70				50			30			10			0
RW	70	50	30	10	70	50	30	10	50	30	10	50	30	10	50	30	10	0
0	119	119	119	119	116	116	116	116	111	111	111	106	106	106	102	102	102	100
1	111	107	103	100	108	104	101	98	100	97	95	96	94	92	93	91	89	87
2	102	95	89	84	99	93	87	83	89	85	81	86	82	79	83	80	77	75
3	94	84	77	71	91	83	76	71	80	74	69	77	72	68	75	71	67	65
4	86	76	68	62	84	74	67	61	72	65	60	70	64	60	68	63	59	57
5	80	68	60	54	78	67	59	53	65	58	53	63	57	52	61	56	52	50
6	74	62	53	47	72	61	53	47	59	52	47	57	51	46	56	50	46	44
7	69	56	48	42	67	55	48	42	54	47	42	53	46	42	51	46	41	39
8	64	52	44	38	63	51	43	38	50	43	38	48	42	37	47	42	37	35
9	60	47	40	34	59	47	39	34	46	39	34	45	38	34	44	38	34	32
10	56	44	36	31	55	43	36	31	42	36	31	42	35	31	41	35	31	29

POLAR GRAPH



ZONAL LUMEN SUMMARY

Zone	Lumens	%Fixt
0-20	116.41	16.20
0-30	244.15	34.10
0-40	391.81	54.70
0-60	635.59	88.70
0-80	712.92	99.40
0-90	716.93	100.00
10-90	686.61	95.80
20-40	275.40	38.40
20-50	414.71	57.80
40-70	301.86	42.10
60-80	77.33	10.80
70-80	19.25	2.70
80-90	4.01	0.60
90-110	0.00	0.00
90-120	0.00	0.00
90-130	0.00	0.00
90-150	0.00	0.00
90-180	0.00	0.00
110-180	0.00	0.00
0-180	716.93	100.00

Maximum Candela = 321.31 Located At Horizontal Angle = 90, Vertical Angle = 1
 # 1 - Vertical Plane Through Horizontal Angles (90 - 270) (Through Max. Cd.)
 # 2 - Horizontal Cone Through Vertical Angle (1) (Through Max. Cd.)