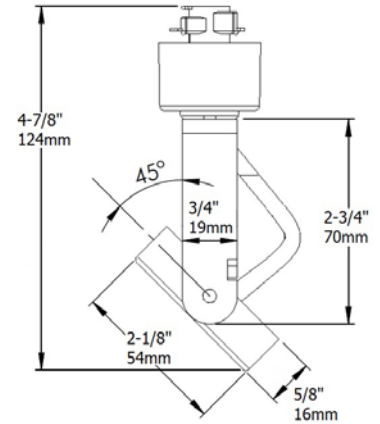
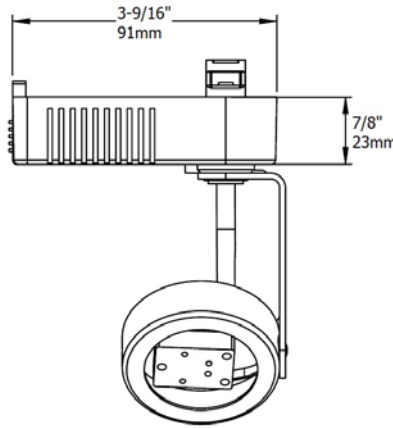
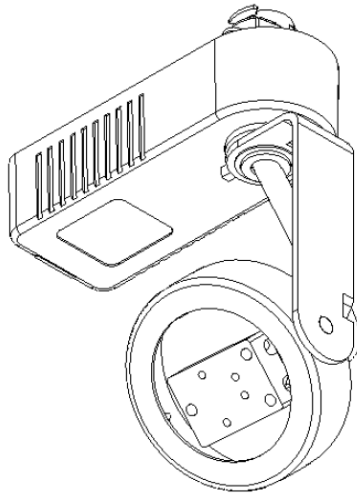




LV132

MINI GIMBAL TRACK LUMINAIRE

Type	
Project	
Catalog No.	



DESCRIPTION

Low voltage MR16 track fixture in a minimal yet functional open gimbal ring design. Suitable for residential, retail or hospitality application.

CONSTRUCTION

Molded polycarbonate transformer housing and track fitting.
Spring loaded locking tab.
Die-formed steel yoke and gimbal ring.
Powder coat paint.
350° horizontal, +90° vertical aim adjustment.

MOUNTING

Provides electrical and mechanical connection track system.

ELECTRICAL

Electronic transformer for 12V halogen lamps. Ceramic Bi-Pin socket connected to 18AWG leads in fiberglass sleeve.

DIMMING

Use only dimmers specifically designed for use with electronic transformers. Low voltage fixtures may produce audible sound when used with dimmers.

LAMPS

MR16 12V 50W max

Optics

Accepts one accessory in place of tempered safety glass included.

LOW VOLTAGE FIXTURE EXTENSION

Extends lamp housing from transformer housing.
Ordered separately. Factory assembled.
BK, WT

- LVFE06** 6" nominal, 8.5" actual
- LVFE12** 12" nominal, 14.5" actual
- LVFE18** 18" nominal, 20.5" actual
- LVFE24** 24" nominal, 26.5" actual
- LVFE36** 36" nominal, 38.5" actual
- LVFE48** 48" nominal, 50.5" actual

LABELS

cULus Listed

WARRANTY

18 months

ORDERING INFORMATION

SYSTEM	SERIES	FINISH
H2 = Jesco H1 Track or Halo ¹ Power-Trac	LV132	BK – Black WT – White
H2	LV132	

Notes:
¹Halo is a registered trademark of Cooper Lighting.



www.jescolighting.com
support@jescolighting.com
Tech Support: 855.592.0029

15 Harbor Park Drive
Port Washington, NY 11050
Main Line: 800.527.7796
Fax Line: 855.265.5768

219 South 6th Ave
City of Industry, CA 91746
Main Line: 855.654.0110
Fax Line: 626.333.2955

Specifications subject to change without notice.