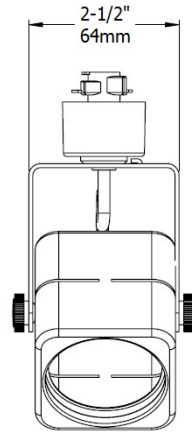
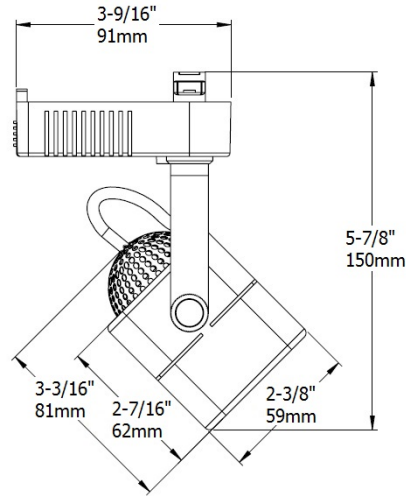
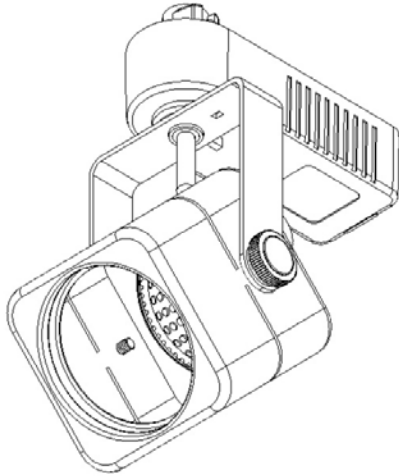




**LV102**

**MESH BACK CUBE TRACK LUMINAIRE**

Type	
Project	
Catalog No.	



**DESCRIPTION**

Low voltage MR16 track fixture in a contemporary cube design. Suitable for residential, retail or hospitality application.

**CONSTRUCTION**

- Molded polycarbonate transformer housing and track fitting.
- Spring loaded locking tab.
- Die-formed double steel yoke.
- Die cast aluminum lamp housing.
- Powder coat painted lamp housing.
- Half dome steel mesh back.
- 350° horizontal, ±90° vertical aim adjustment.
- Two aim locking knobs.

**MOUNTING**

Provides electrical and mechanical connection track system.

**ELECTRICAL**

Electronic transformer for 12V halogen lamps. Ceramic Bi-Pin socket connected to 18AWG leads in fiberglass sleeve.

**DIMMING**

Use only dimmers specifically designed for use with electronic transformers. Low voltage fixtures may produce audible sound when used with dimmers.

**LAMPS**

MR16 12V 50W max

**Optics**

Accepts one accessory in place of tempered safety glass included.

**LOW VOLTAGE FIXTURE EXTENSION**

Extends lamp housing from transformer housing. Ordered separately. Factory assembled.

BK, WT

- LVFE06** 6" nominal, 8.5" actual
- LVFE12** 12" nominal, 14.5" actual
- LVFE18** 18" nominal, 20.5" actual
- LVFE24** 24" nominal, 26.5" actual
- LVFE36** 36" nominal, 38.5" actual
- LVFE48** 48" nominal, 50.5" actual

**LABELS**

cULus Listed

**WARRANTY**

18 months

**ORDERING INFORMATION**

SYSTEM	SERIES	FINISH
H2 = Jesco H1 Track or Halo <sup>1</sup> Power-Trac	LV102	BK – Black WT – White
H2	LV102	

Notes:  
<sup>1</sup>Halo is a registered trademark of Cooper Lighting.



www.jescolighting.com  
support@jescolighting.com  
**Tech Support:** 855.592.0029

15 Harbor Park Drive  
Port Washington, NY 11050  
**Main Line:** 800.527.7796  
**Fax Line:** 855.265.5768

219 South 6<sup>th</sup> Ave  
City of Industry, CA 91746  
**Main Line:** 855.654.0110  
**Fax Line:** 626.333.2955

Specifications subject to change without notice.