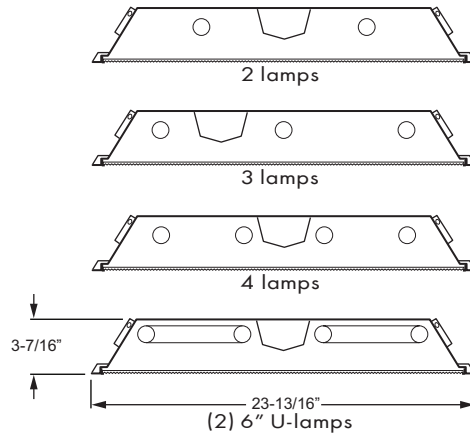
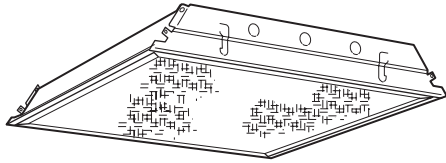


# 2' X 2' LOW-PROFILE T8 TROFFER

**LPT**  
2' x 2'



VOLT TYPE JOB SERIES

## SPECIFICATIONS

- **Housing** – 22-gauge die-formed C.R.S.
- **Door Frame** – 22-gauge C.R.S., offset mitered corners, cam latches, and T-style hinges.
- **Shielding** – #12 pattern, .125" acrylic prismatic lens standard.
- **Finish** – 92% minimum average reflective white polyester powder coat bonded to phosphate-free, multi-stage pretreated metal.
- **Electrical** – Electronic ballast standard, instant start T8, rated Class P.
- **Labels** – UL/CUL listed as recessed fluorescent luminaire suitable for dry or damp locations.
- **Mounting** – NEMA Type "G" standard. For flange installations use the Drywall Frame-In Kit (DFK), sold separately.

## FEATURES

- 3-7/16" deep housing installs easily within limited plenum space.
- Gasketed door frame features offset mitered corners to eliminate light leaks.
- Available with a wide variety of lens, lamping, and ballast options.
- Cam latches close securely and allow hassle-free maintenance.
- Reversible door hinges and latches allow access on either side.
- Deep reinforcement ribs provide added strength.
- Integral T-bar clips quickly secure fixture to structure.
- All parts painted after fabrication to facilitate installation, increase efficiency, and inhibit corrosion.
- This fixture is proudly made in the USA.

## ORDERING INFORMATION

Submittal

EXAMPLE: **LPT** - **2** **2** - **2** **32U** - **S** **A12125** - **OPTIONS** - **EB2** - **UNV**

<b>SERIES</b>	LPT Low-Profile T8 Troffer
<b>NOMINAL WIDTH</b>	2 2'
<b>NOMINAL LENGTH</b>	2 2'
<b>TOTAL LAMPS</b>	2, 3, or 4
<b>LAMP WATTAGE/TYPE</b>	17 2', 17-watt T8 32U 2', U-bent, 32-watt T8, 6" leg spacing (2 lamps max.)
<b>DOOR FRAME TYPE</b>	S White Flat Steel

<b>SHIELDING</b>	A12125 #12 pattern acrylic, .125" thick (standard) A12100 #12 pattern acrylic, .100" thick A19156 #19 pattern acrylic, .156" thick PC15S Nominal 1/2" x 1/2" x 1/2" silver polystyrene PC25S Nominal 1-1/2" x 1-1/2" x 1" silver polystyrene
<b>OPTIONS</b>	F338 6', 3/8" flex, 3 conductor, No. 18 AWG F348 6', 3/8" flex, 4 conductor, No. 18 AWG EQCLIPS Earthquake Clips (4 per fixture) MS9 <sup>1</sup> Master Satellite, 9' Flex Whip <sup>1</sup> MS11 <sup>1</sup> Master Satellite, 11' Flex Whip <sup>1</sup>

<sup>1</sup> Consult factory for other lengths.

<b>BALLAST TYPE</b>	EB2 2-lamp electronic ballast EB3 3-lamp electronic ballast EB4 4-lamp electronic ballast EB2/1 (1) 2-lamp & (1) 1-lamp electronic ballast EB2/2 (2) 2-lamp electronic ballasts
<b>VOLTAGE</b>	120 120V 277 277V UNV 120-277V 347 347V

**LAMPS FURNISHED & INSTALLED:**  
Ordering Example: FB32/835/6/ECO F&I

**EMERGENCY BALLASTS:**  
Ordering Example: EM7A

For complete lamps and emergency ballast offering refer to information section.



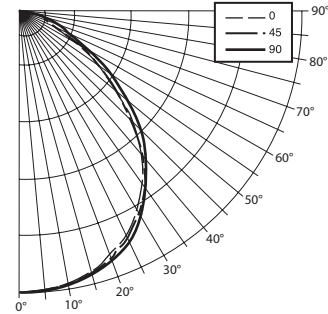
FLUORESCENT LIGHTING

Williams Catalog #LPT-22-232U-SA12125-EB2  
Test Report #14724.0, Dated 06/02/09

Lamp Type: F32T8/835/U6  
Lamp Quantity: 2

**CANDLEPOWER DISTRIBUTION**

VERT. ANG.	HORIZONTAL ANGLE			ZONAL LUMENS
	0	45	90	
0	1861.	1861.	1861.	
5	1861.	1855.	1852.	177.1
15	1782.	1793.	1806.	507.9
25	1634.	1659.	1685.	766.9
35	1385.	1417.	1431.	885.1
45	1030.	1021.	1098.	804.1
55	636.	616.	698.	575.5
65	337.	275.	350.	307.3
75	177.	150.	190.	173.4
85	52.	50.	57.	59.9
90	0.	0.	0.	



**LUMEN SUMMARY**

ZONE	LUMENS	% LAMP	% FIXTURE
0 - 30	1452.	25.7	34.1
0 - 40	2337.	41.4	54.9
0 - 60	3717.	65.8	87.3
0 - 90	4257.	75.3	100.0
Total Luminaire			
0-180	4257.	75.3	100.0

**TOTAL LUMINAIRE OPTICAL EFFICIENCY = 75.3%**  
SPACING CRITERIA: END= 1.2 DIAG.= 1.2 ACROSS= 1.2

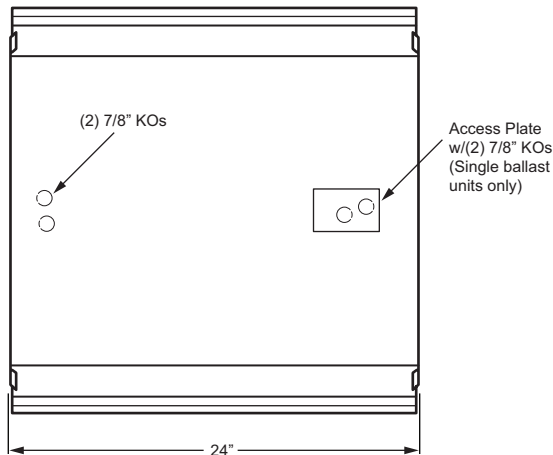
**ZONAL CAVITY COEFFICIENTS**

EFFECTIVE FLOOR CAVITY REFL. = .20

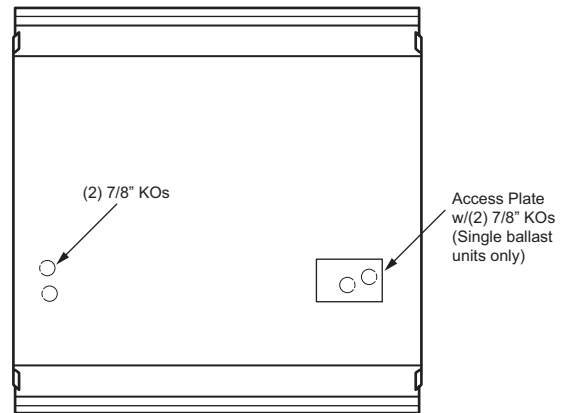
WALL RCR	.80			.70			.50		
	.70	.50	.30	.70	.50	.30	.50	.30	.10
0	90	90	90	88	88	88	84	84	84
1	83	80	78	81	79	76	76	74	72
2	77	72	68	75	71	67	68	65	62
3	72	65	60	70	64	59	62	57	54
4	66	58	53	65	57	52	56	51	47
5	61	52	46	60	52	46	50	45	41
6	56	47	41	55	47	41	45	40	36
7	52	43	37	51	42	36	41	36	32
8	48	39	33	47	38	32	37	32	28
9	44	35	29	43	34	29	33	28	25
10	41	32	26	40	31	26	30	25	22

**BACK VIEW**

2 & 4 Lamps



3 Lamps



H. E. WILLIAMS, INC.