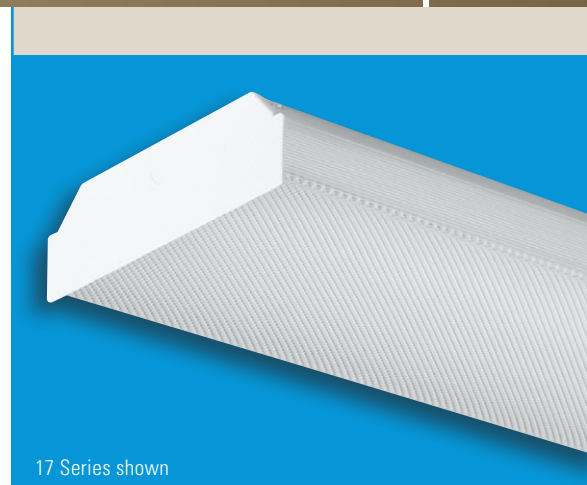


SPECIFICATIONS

- **Housing & End Plates** – 20-gauge die-formed C.R.S. End plates constructed of 19-gauge die-formed C.R.S.
- **Shielding** – Clear acrylic prismatic diffuser with 15% DR additive, .100" nominal thickness. Prismatic bottom/continuous wrap sides.
- **Finish** – 92% minimum average reflective white polyester powder coat bonded to phosphate-free, multi-stage pretreated metal. All parts painted after fabrication to facilitate installation, increase efficiency, and inhibit corrosion.
- **Electrical** – Electronic ballast standard, instant start T8, rated Class P.
- **Mounting** – Surface or suspended.
- **Labels** – UL/CUL listed as fluorescent luminaire suitable for dry or damp locations.



17 Series shown

EXAMPLE **17 - 4 - 2 32 - A - OPTIONS - EB2 - UNV**

SERIES NOMINAL LENGTH TOTAL WATTAGE/LAMPS SHIELDING OPTIONS BALLAST TYPE VOLTAGE

ORDERING INFORMATION

SERIES

17	2-Lamp Low-Profile Wrap (10-3/4" wide)
18	4-Lamp Low-Profile Wrap (16-3/4" wide)

NOMINAL LENGTH

2	2'
4	4'
8	8' (17 Series only)

TOTAL LAMPS

2 or 4	(17 Series: 2-lamp cross-section only)
---------------	--

LAMP WATTAGE/TYPE

17 SERIES LAMP OPTIONS

17	2', 17-watt T8
32	4', 32-watt T8

18 SERIES LAMP OPTIONS

17	2', 17-watt T8
31UN	2', U-bent, 31-watt T8, 1-5/8" leg spacing (2' length only)
32	4', 32-watt T8

SHIELDING

A	Clear acrylic prismatic diffuser
----------	----------------------------------

OPTIONS

For generic EM ballast options, see page 231. See page 242 for mounting accessories.

BALLAST TYPE

See page 230 for complete ballast offering.

EB2	2-lamp electronic ballast
EB4	4-lamp electronic ballast
EB2/2	(2) 2-lamp electronic ballasts

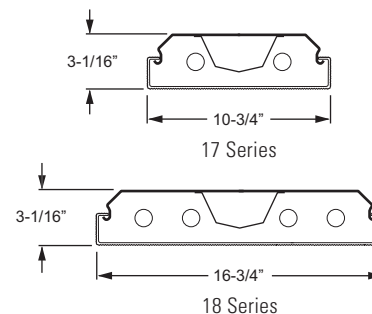
VOLTAGE

120	120V
277	277V
UNV	120-277V
347	347V

FEATURES

Economical and efficient, the low-profile wrap around provides uniform downward light distribution and subtle side illumination. Mounts easily as a single fixture or in continuous row installations.

- Shallow depth provides sleek, low-profile appearance.
- Diffuser is secured continuously along luminaire sides.
- Wireway is accessible without the use of tools.
- Ballast secured by two captive bolts and nuts to ensure a tight, reliable fit for maximum heat dissipation.
- This fixture is proudly made in the USA.



QUANTITY ESTIMATOR

Item #: **17-4-232**

Room Size	± 35 fc.	± 50 fc.	± 70 fc.
20' x 20' (400 sq. ft.)	4	6	9
30' x 30' (900 sq. ft.)	9	12	16
50' x 50' (2,500 sq. ft.)	20	30	42

Calculations based on standard reflectance of 80/50/20 and a light loss factor of .85 with a 9'-0" ceiling height.

