

SPECIFICATIONS

- **Housing** – 22-gauge die-formed C.R.S.
- **Door Frame** – 22-gauge C.R.S., offset mitered corners, cam latches, and T-style hinges.
- **Shielding** – Acrylic, pattern #12, .125" thick prismatic lens.
- **Finish** – 92% minimum average reflective white polyester powder coat bonded to phosphate-free, multi-stage pretreated metal. All parts painted after fabrication to facilitate installation, increase efficiency, and inhibit corrosion.
- **Electrical** – Electronic ballast standard, instant start T8, rated Class P.
- **Mounting** – NEMA Type "G" standard. For flange installations use the Drywall Kit (DFK), ordered separately, see page 237.
- **Labels** – UL/CUL listed as recessed fluorescent luminaire suitable for dry or damp locations.



EXAMPLE **LPT - 2 4 - 3 32 - S A12125 - OPTIONS - EB3 - UNV**

SERIES
 NOM. W.
 NOM. L.
 TOTAL LAMPS
 WATTAGE/TYPE
 DOOR FRAME
 SHIELDING
 OPTIONS
 BALLAST TYPE
 VOLTAGE



ORDERING INFORMATION

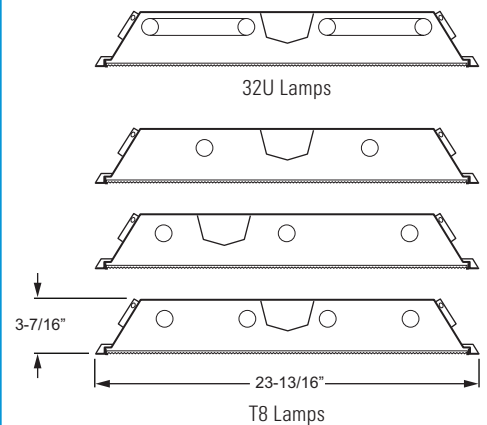
SERIES	LPT Low-Profile T8 Troffer
NOMINAL WIDTH	2 2'
NOMINAL LENGTH	2 2' 4 4'
TOTAL LAMPS	2, 3, or 4
LAMP WATTAGE/TYPE	2x2 LAMP OPTIONS 17 2', 17-watt T8 32U 2', U-bent, 32-watt T8, 6" leg spacing (2 lamps maximum) 2x4 LAMP OPTIONS 32 4', 32-watt T8
DOOR FRAME	S White flat steel
SHIELDING	A12125 Acrylic, pattern #12, .125" thick (standard) A12100 Acrylic, pattern #12, .100" thick A19156 Acrylic, pattern #19, .156" thick PC1SS Parabolic louver, silver styrene, nominal 1/2" x 1/2" x 1/2" PC2SS Parabolic louver, silver styrene, nominal 1-1/2" x 1-1/2" x 1"

OPTIONS	For generic EM ballast options, see page 231. F338 6', 3/8" flex, 3-conductor, No. 18 AWG F348 6', 3/8" flex, 4-conductor, No. 18 AWG EQCLIPS Earthquake clips (4 per fixture) MS9¹ Master/Satellite, 9' Flex Whip ¹ MS11¹ Master/Satellite, 11' Flex Whip ¹ ¹ Consult factory for other lengths and availability.
BALLAST TYPE	See page 230 for complete ballast offering. EB2 2-lamp electronic ballast EB3 3-lamp electronic ballast EB4 4-lamp electronic ballast EB2/1 (1) 2-lamp and (1) 1-lamp electronic ballast EB2/2 (2) 2-lamp electronic ballasts
VOLTAGE	120 120V 277 277V UNV 120-277V 347 347V

FEATURES

Our "USA Proud" Low-Profile Troffer (LPT) is the ideal solution for restricted plenum applications. Boasting an array of features including offset mitered corners, lens options, hassle-free maintenance, and optical efficiency of nearly 83%, the LPT provides both quality and economy in a high-demand fixture.

- This fixture is proudly made in the USA.



QUANTITY ESTIMATOR

Item #: **LPT-24-332-SA12125**

Room Size	± 40 fc.	± 60 fc.	± 80 fc.
15' x 15' (225 sq. ft.)	2	3	4
30' x 30' (900 sq. ft.)	6	9	12
50' x 50' (2,500 sq. ft.)	16	25	30

Calculations based on standard reflectance of 80/50/20 and a light loss factor of .85 with a 9'-0" ceiling height.

Note: Test performed using amalgam lamps in a still air environment at an ambient temperature of 25°C.

