

LED TRACKHEADS

L514, L515, L524

The Contempo Series next generation track heads provide designers with the means to specify low power, energy efficient, LED fixtures that meet or exceed their demands in lumen output, product flexibility, and overall design.

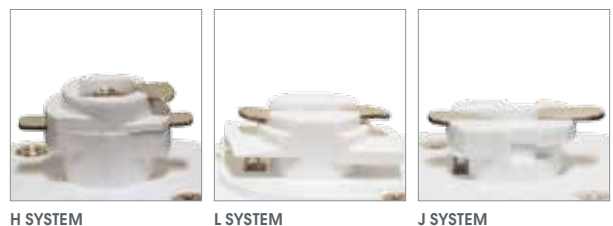
Available in our three most popular H, L and J track fittings, the new Contempo track heads are a green alternative to standard low voltage MR16, AR111, line voltage incandescent/halogen PAR30 and PAR38, or MH PAR30 metal halide lamp sources.

To meet specific application needs and design requirements, these track heads are fully customizable with the use of various field-replaceable reflectors and lens accessories. The reflectors present a variety of beam spreads. An optional media holder accommodates up to two lenses, adding control over color, pattern and diffusion of the light output.

The track heads can be positioned and adjusted easily using the aim indicators marked on the fixtures. The L515 style has an added feature of being lockable in position with use of a hex key.

The Contempo die cast aluminum track fixtures feature state-of-the-art LED light sources with high lumen output and a CRI of 85. The fixtures, which are tightly color controlled within a 3-step MacAdam Ellipse, are available in a Correlated Color Temperature (CCT) of 3000K. With a 5-year warranty, these long life, low power fixtures greatly reduce energy consumption and the need for lamp replacement. LEDs do not contain any difficult-to-dispose mercury and do not emit harmful UV or IR rays that fade and discolor displayed merchandise or nearby walls, furniture and carpets.

The Contempo series track heads are designed for equal adaptability in retail, hospitality, healthcare, office and residential applications. These professional grade fixtures offer the benefits of zero maintenance, high energy efficiency, maximum flexibility and outstanding product performance.



L514

Contempo Series

LED Trackhead

Input: 120V AC 50/60Hz

Power Factor: >0.98

CRI: 85

Dims: 13 1/4" L x 8 3/4" W x 3 3/8" D

Construction: Die-cast Aluminum
Horizontal aim indicator every 15°

Holds up to (2) MR16 size lenses
with use of L5X4-MHS.

Select required Inner Reflectors
and either Front Cover or Media
Holder (Sold separately)

LED	c-UL-us
22W	120V AC
946 Lm	43 Lm/W
180° HEAD	240° HEAD
330° STEM	

System	Style	CCT	Finish
H	L514	30 3000K	S Silver
L			
J			

Pictured: **H L514 30 S**
with RF-28C11775 and L5X4-FCS-CLEAR

REFLECTOR OPTIONS

Required Selection. Field changeable.

RF-13C11773 Narrow 13°

RF-28C11775 Medium 28°

RF-48C11776 Wide 48°

RF-56C11777 Very Wide 56°

FRONT COVER OPTIONS

Required Selection. Choose one. Field changeable.

L5X4-FCS-CLEAR Clear Lens

L5X4-FCS-SOFT Softening Lens (Solite)

L5X4-MHS Media Holder for up to 2 accessories



L524

Contempo Series

LED Double Trackhead

Input: 120V AC 50/60Hz

Power Factor: >0.98

CRI: 85

Dims: 13 3/8" L x 15" W x 3 3/8" D

Construction: Die-cast Aluminum
Horizontal aim indicator every 15°

Holds up to (2) MR16 size lenses
with use of L5X4-MHS.

Select required Inner Reflectors
and either Front Cover or Media
Holder (Sold separately)

LED	c-UL-us
44W	120V AC
1892 Lm	43 Lm/W
180° HEAD	240° HEAD
330° STEM	

System	Style	CCT	Finish
H	L524	30 3000K	S Silver
L			
J			

Pictured: **H L524 30 S**
with RF-28C11775 and L5X4-FCS-CLEAR

REFLECTOR OPTIONS

Required Selection. Choose one for each track head.
Field changeable.

RF-13C11773 Narrow 13°

RF-28C11775 Medium 28°

RF-48C11776 Wide 48°

RF-56C11777 Very Wide 56°

FRONT COVER OPTIONS

Required Selection. Choose one for each track head.
Field changeable.

L5X4-FCS-CLEAR Clear Lens

L5X4-FCS-SOFT Softening Lens (Solite)

L5X4-MHS Media Holder for up to 2 accessories





**L514, L524 ACCESSORIES
WITH USE OF L5X4-MHS**



LENS-16-FROS
Frosted Diffuser



LENS-16-HCOM
Honeycomb Louver



LENS-16-PRIS
Prismatic Diffuser

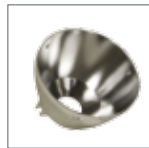


LENS-16-SOFT
Softening Diffuser
Solite

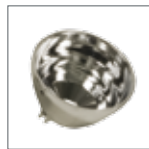


LENS-16-LINR
Linear Diffuser

L514, L524 REQUIRED SELECTION OPTIONS



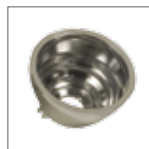
RF-13C11773
Narrow 13° Reflector



RF-28C11775
Medium 28° Reflector



RF-48C11776
Wide 48° Reflector



RF-56C11777
Very Wide 56° Reflector



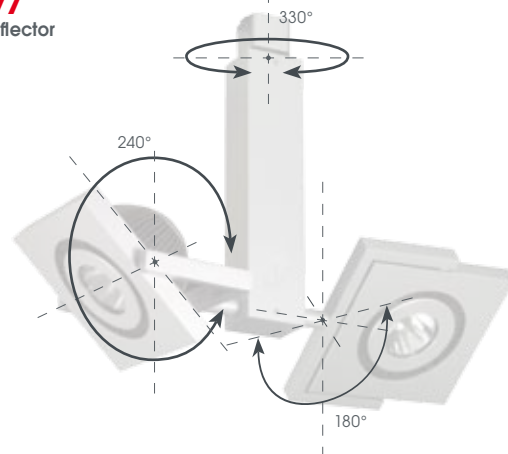
L5X4-FCS-CLEAR
Front Cover encasing
Clear Lens



L5X4-FCS-SOFT
Front Cover encasing
Softening Lens
Solite



L5X4-MHS
Media Holder
For up to 2 Lens Accessories



L515

Contempo Series LED Trackhead

Input: 120V AC 50/60Hz
Dims: 8 1/2" L x 5 3/4" W x 3 3/8" D
Power Factor: >0.9
CRI: 85
Dimming: Yes *
Construction: Die-cast Aluminum
Includes: Clear Lens
 Horizontal aim indicator every 15°.
 Lockable with 1.5mm hex key.

Holds up to (2) PAR20 size lenses.
 Select required reflector
 RF-16 or RF-40 (Sold separately).

LED	c-UL-us
20W	120V AC
860 Lm	43 Lm/W
180°	330°

System	Style	CCT	Finish
H	L515	30 3000K	<input checked="" type="checkbox"/> B Black
L			<input type="checkbox"/> W White
J			

Pictured: H L515 30 W with RF-40C11553

* 15% with electronic low voltage dimmer.

Recommended Dimmer:

Lutron¹ - Diva DVELV-300P
 Lutron¹ - Maestro MAELV-600
 Lutron¹ - Skylark SELV-300P
 Lutron¹ - NovaT NTELV-300
 Leviton² - Illumatech IPE04
 Leviton² - Vizia VZE061LZ
 Leviton² - Sureslide 6615

¹ Lutron is a registered trademark of Lutron Electronics, Inc.

² Leviton is a registered trademark of Leviton Mfg. Co., Inc.

REFLECTOR OPTIONS

Required Selection. Field changeable.

RF-16C11552 Narrow 16°

RF-40C11553 Wide 40°



L515 ACCESSORIES



LENS-20-FROS
Frosted Diffuser



LENS-20-HCOM
Honeycomb Louver



LENS-20-PRIS
Prismatic Diffuser



LENS-20-SOFT
Softening Diffuser Solite



LENS-20-LINR
Linear Diffuser

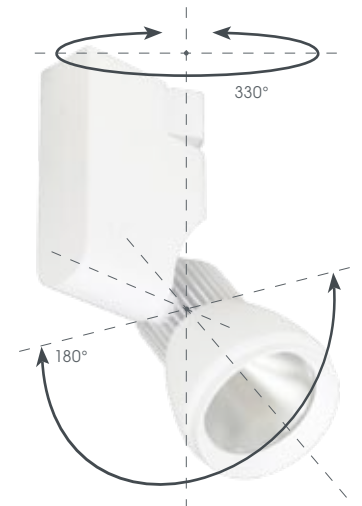
L515 REQUIRED SELECTION OPTIONS



RF-16C11552
Narrow 16° Reflector



RF-40C11553
Wide 40° Reflector





**NEW YORK
CORPORATE OFFICE**

6625 Traffic Avenue
Glendale NY 11385
TEL 800 527 7796
FAX 855 265 5768

LOS ANGELES

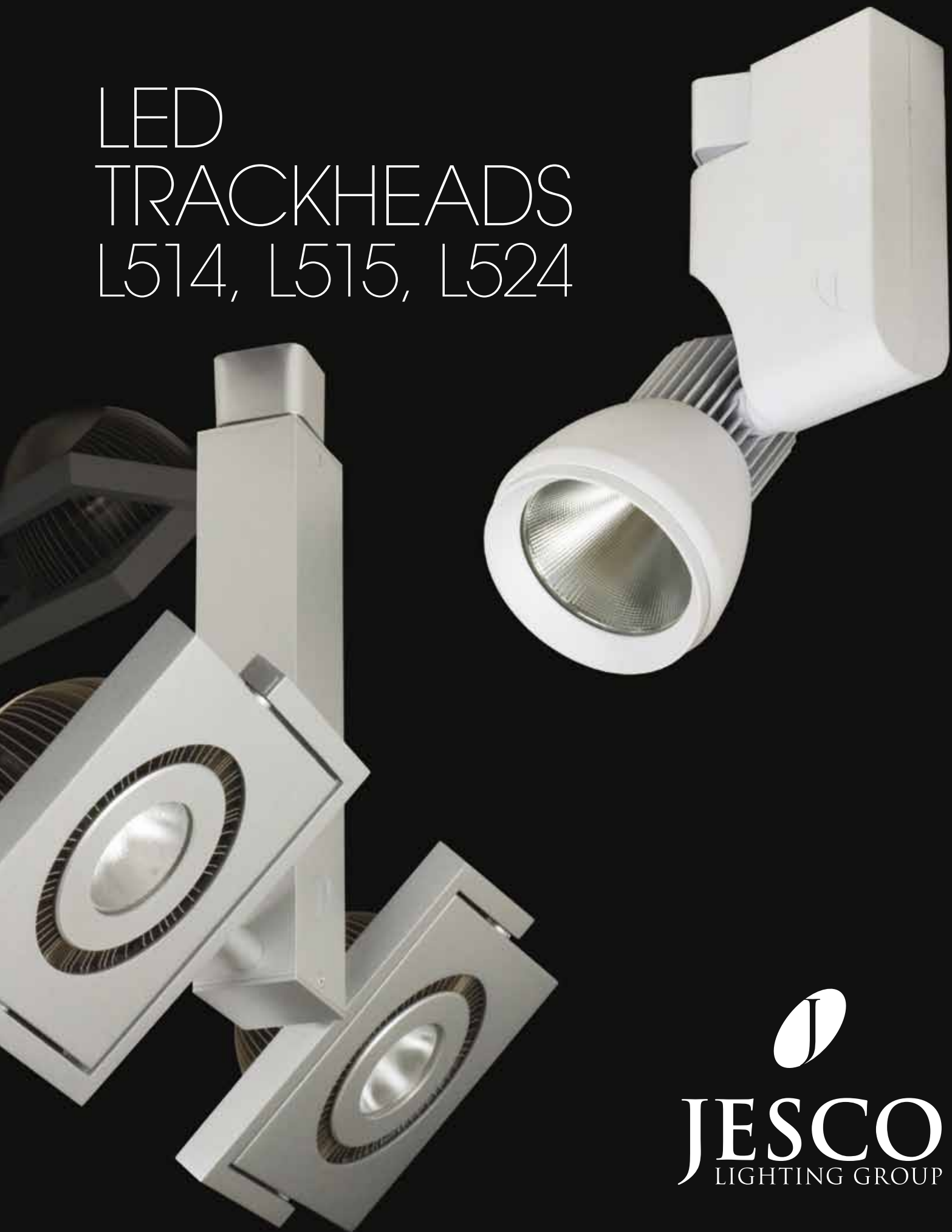
219 South 6th Avenue
City Of Industry CA 91746
TEL 855 654 0110
FAX 626 333 2955

JESCOLIGHTING.COM
info@jescolighting.com

© 2013 JESCO LIGHTING

LCAT-LEDTRACKHEADS1

LED
TRACKHEADS
L514, L515, L524



JESCO
LIGHTING GROUP