

Catalog Number: _____ Type: _____

Project: _____

Comments: _____ Date: _____

LED Small Flood Light



LED Small Flood Lights are energy efficient alternatives - only 25W delivering up-to 2123 lumens - replacing up-to 100W Metal Halide fixtures. The performance driven LED Small Flood offers 0-10V dimming standard with low voltage leads supplied in the integrated driver. These flood lights can be used in indoor and outdoor applications. LED Small Floods are IP65 Rated for outdoor use.¹ Applications include parking areas, walkways and work areas. Provide visual interest for signs, billboards, statues, architecture and landscapes. The LED Small Flood Light is backed by a 5-Year Limited Warranty.

¹ IP65 Rated fixtures are rated for use outdoors where exposed directly to water from rain or irrigation.

Performance Specifications

CRI _____ 72
 Rated Life _____ 50,000 hour life
 Watt _____ 25W
 Lumens _____ 2123
 Lumens per Watt (LPW) _____ 84
 Input Line Voltage _____ 100-277V
 Input Line Frequency _____ 50/60 Hz

Min. Start Temp. _____ -40°F (-40°C)
 Max. Operating Temp. _____ 113°F (45°C)
 Power Factor _____ >90%
 THD _____ <20%
 Warranty _____ 5-Year Limited
 Control _____ 0-10V Dimmable
 Weight _____ 5.0 lbs

Energy Savings

System	System Wattage	Replacement LED	Wattage	Energy Savings
100W Metal Halide	120W	FL1/CL25BZ50/LED	25W	80%

Construction

- Die-cast aluminum housing with hinged lens frame
- Clear flat glass lens
- Silicone gaskets
- Textured architectural bronze powdercoat finish
- CSA Listed for wet locations

Accessories

- Glare Shield Flood - GS1/FL1 - 99806
- Post Top Fitter Flood - PTF/FL - 99811
- Heavy Duty Ground Stake - HDGS/FL - 99813
- Photocell 110-130V (SWIVEL) - PCS/120V - 99815
- Photocell 208-277V (SWIVEL) - PCS/277V - 99816

Accessories include hardware.

Installation

- Adjustable knuckle with 1/2" NPS Threads
- Removable 1/2" threaded plugs with O-rings for 1/2" conduit access and photocell provision

Electrical

- 100V-277V input range
- 50/60 Hz input frequency
- 0-10V dimming standard
- Voltage sensing 100-277V dimmable driver
- Electrical snap-in connectors to simplify wiring and installation

Ordering Information



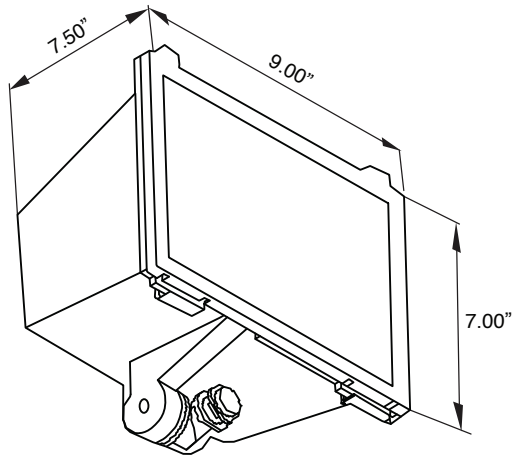
Watt	Product #	Product Code	Volts	Color Temp.	CRI	Lumens	Useful Life*	Dimmable	DLC® Qualified	Fixture Size L x H	Wattage Equivalent
25 Watt	99901	FL1/CL25BZ50/LED	100-277V	5000K	72	2123	50000	0-10V	Yes	9" x 7"	100W Metal Halide

* Useful Life is defined as the point in time at which the lamp will maintain at least 70% of its initial lumens. The lamp will continue to operate past this point at decreased light levels. May not be compatible with all dimming systems, dimming performance may vary by system. Requires a 0-10V dimmer, with 2 additional wires for dimming control.

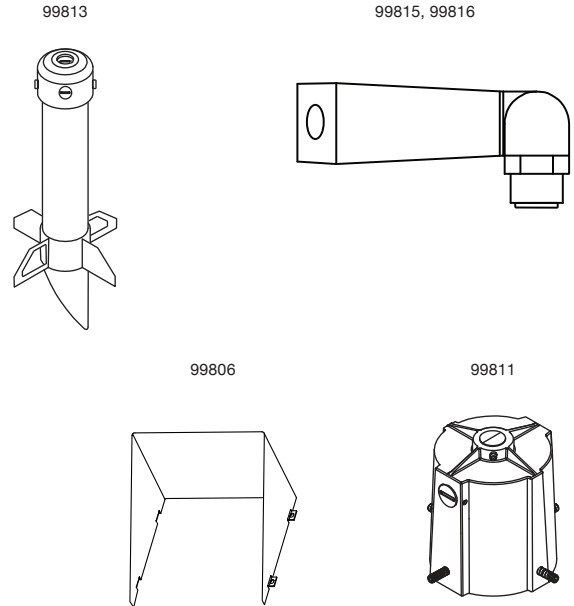


LED Small Flood Light

Dimensions

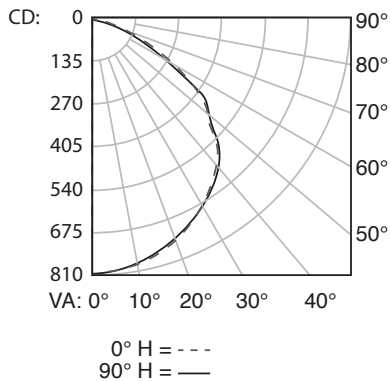


Accessories

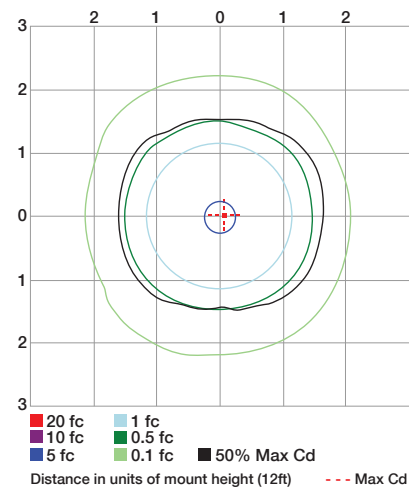


Photometrics

Polar Candela Distribution Plot



Isofootcandle Plot



Illuminance at a Distance

Height(ft)	Center Beam Footcandle	Beam Spread(ft)		Field Spread(ft)	
		Horizontal	Vertical	Horizontal	Vertical
2.0	200.3 fc	6.1	6.0	11.4	11.8
4.0	50.1 fc	12.1	12.0	22.8	23.6
6.0	22.3 fc	18.2	18.0	34.2	35.4
8.0	12.5 fc	24.3	24.0	45.6	47.1
10.0	8.0 fc	30.3	29.9	57.0	58.9
12.0	5.6 fc	36.4	35.9	68.3	70.7
		Beam Angle		Field Angle	
		113.2°	112.5°	141.3°	142.5°

Visual Flood in fc Values

