

Catalog Number: _____ Type: _____

Project: _____

Comments: _____ Date: _____

LED Medium Flood Light



LED Medium Flood Lights are energy efficient alternatives - only 41W delivering up-to 3390 lumens - replacing a 175W Metal Halide fixtures. The LED Medium Flood offers 0-10V dimming standard with low voltage leads supplied in the integrated driver. These flood lights can be used in indoor and outdoor applications. LED Medium Floods are IP65 Rated for outdoor use.¹ Applications include parking areas, walkways and work areas. Provide visual interest for signs, billboards, statues, architecture and landscapes. The LED Medium Flood Light is backed by a 5-Year Limited Warranty.

¹ IP65 Rated fixtures are rated for use outdoors where exposed directly to water from rain or irrigation.

Performance Specifications

CRI _____	73	Min. Start Temp. _____	-40°F (-40°C)
Rated Life _____	50,000 hour life	Max. Operating Temp. _____	113°F (45°C)
Watt _____	41W	Power Factor _____	>90%
Lumens _____	3390	THD _____	<20%
Lumens per Watt (LPW) _____	82	Warranty _____	5-Year Limited
Input Line Voltage _____	100-277V	Control _____	0-10V Dimmable
Input Line Frequency _____	50/60 Hz	Weight _____	6.75 lbs.

Energy Savings

System	System Wattage	Replacement LED	Wattage	Energy Savings
175W Metal Halide	202W	FL2/CL41BZ50/LED	41W	80%

Construction

- Die-cast aluminum housing with hinged lens frame
- Clear flat glass lens
- Textured architectural bronze powdercoat finish
- CSA listed for wet locations

Accessories

- Glare Shield Flood - GS1/FL1 - 99807
- Post Top Fitter Flood - PTF/FL - 99811
- Heavy Duty Ground Stake - HDGS/FL - 99813
- Photocell 110-130V (SWIVEL) - PCS/120V - 99815
- Photocell 208-277V (SWIVEL) - PCS/277V - 99816

Accessories include hardware.

Installation

- Adjustable knuckle with 1/2" NPS Threads
- Removable 1/2" threaded plugs with O-rings for 1/2" conduit access and photocell provision

Electrical

- 100V-277V input range
- Voltage sensing 100-277V dimmable driver
- 50/60 Hz input frequency
- Electrical snap-in connectors to simplify wiring and installation
- 0-10V dimming standard

Ordering Information



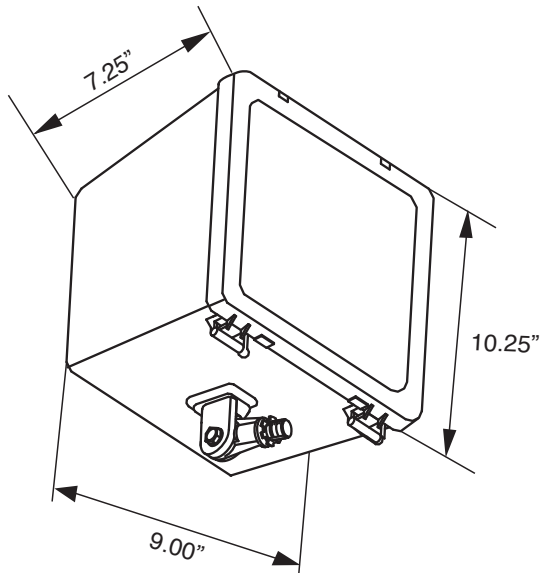
Watt	Product #	Product Code	Volts	Color Temp.	CRI	Lumens	Useful Life*	Dimmable	DLC® Qualified	Fixture Size L x H	Wattage Equivalent
41 Watt	99902	FL2/CL41BZ50/LED	100-277V	5000K	73	3390	50000	0-10V	Yes	9" x 10.5"	175W Metal Halide

* Useful Life is defined as the point in time at which the lamp will maintain at least 70% of its initial lumens. The lamp will continue to operate past this point at decreased light levels. May not be compatible with all dimming systems, dimming performance may vary by system. Requires a 0-10V dimmer, with 2 additional wires for dimming control.

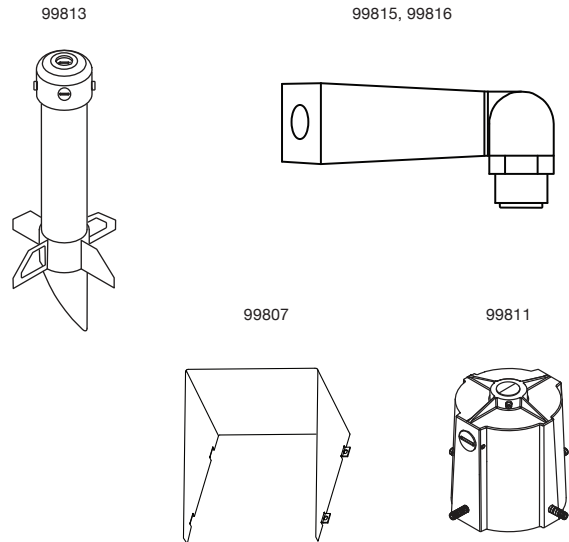


LED Medium Flood Light

Dimensions

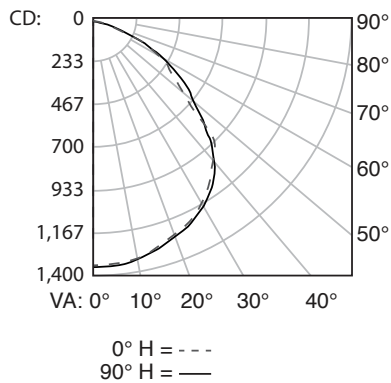


Accessories

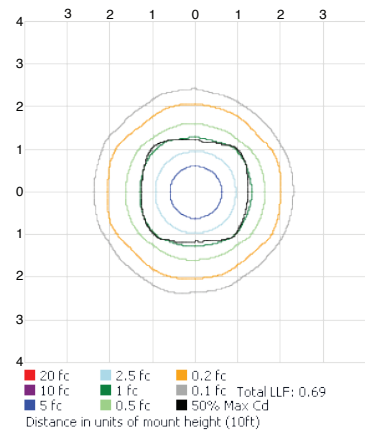


Photometrics

Polar Candela Distribution Plot



Isofootcandle Plot



Illuminance at a Distance

Height(ft)	Center Beam	Beam Spread(ft)		Field Spread(ft)	
	Footcandle	Horizontal	Vertical	Horizontal	Vertical
1.7	485.43 fc	4.2	4.0	9.3	9.5
3.3	121.36 fc	8.4	8.1	18.7	19.0
5.0	53.94 fc	12.5	12.1	28.0	28.5
6.7	30.34 fc	16.7	16.2	37.4	38.1
8.3	19.42 fc	20.9	20.2	46.7	47.6
10.0	13.48 fc	25.1	24.3	56.1	57.1
		Beam Angle		Field Angle	
		102.8°	101.1°	140.7°	141.4°

Visual Flood in fc Values

