

Catalog Number: _____ Type: _____

Project: _____

Comments: _____ Date: _____

LED Large Flood Light



LED Large Flood Lights are energy efficient alternatives - only 75W delivering up-to 5984 lumens - replacing up-to 400W Metal Halide fixtures. The performance driven LED Large Flood offers 0-10V dimming standard with low voltage leads supplied in the integrated driver. These flood lights can be used in indoor and outdoor markets. LED Large Floods are IP65 Rated for outdoor use.¹ Applications include parking areas, walkways and work areas. Provides visual interest for signs, billboards, statues, architecture and landscapes. The LED Large Flood Light is backed by a 5-Year Limited Warranty.

¹ IP65 Rated fixtures are rated for use outdoors where exposed directly to water from rain or irrigation.

Performance Specifications

CRI _____	75	Min. Start Temp. _____	-40°F (-40°C)
Rated Life _____	50,000 hour life	Max. Operating Temp. _____	113°F (45°C)
Watt _____	75W	Power Factor _____	>90%
Lumens _____	5984	THD _____	<20%
Lumens per Watt (LPW) _____	79	Warranty _____	5-Year Limited
Input Line Voltage _____	100-277V	Control _____	0-10V Dimmable
Input Line Frequency _____	50/60 Hz	Weight _____	15.25 lbs.

Energy Savings

System	System Wattage	Replacement LED	Wattage	Energy Savings
400W Metal Halide	452W	FL3/CL75BZ50/LED	75W	83%

Construction

- Die-cast aluminum housing with hinged lens frame
- Clear flat glass lens
- Silicone gaskets
- Textured architectural bronze powdercoat finish
- CSA listed for wet locations

Accessories

- Glare Shield - GS3/FL3 - 99808
- Large Yoke - LY/FL3 - 99809
- Slip Fitter Flood - SF/FL - 99810
- Pole Tenon Mount Flood - PTM/FL - 99812
- Photocell 110-130V (SWIVEL) - PCS/120V - 99815
- Photocell 208-277V (SWIVEL) - PCS/277V - 99816

Accessories include hardware.

Installation

- Small yoke swivel wall bracket
- Hinged lens frame
- Removable 1/2" threaded plugs with O-rings for 1/2" conduit access and photocell provision

Electrical

- 100V-277V input range
- 50/60 Hz input frequency
- 0-10V dimming standard
- Voltage sensing 100-277V dimmable driver
- Electrical snap-in connectors to simplify wiring and installation

Ordering Information



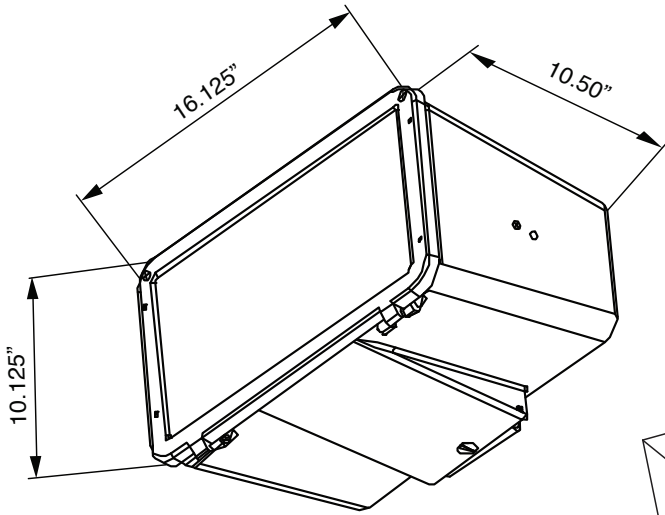
Watt	Product #	Product Code	Volts	Color Temp.	CRI	Lumens	Useful Life*	Dimmable	DLC® Qualified	Fixture Size L x H	Wattage Equivalent
75 Watt	99903	FL3/CL75BZ50/LED	100-277V	5000K	75	5984	50000	0-10V	Yes	16" x 10"	400W Metal Halide

* Useful Life is defined as the point in time at which the lamp will maintain at least 70% of its initial lumens. The lamp will continue to operate past this point at decreased light levels. May not be compatible with all dimming systems, dimming performance may vary by system. Requires a 0-10V dimmer, with 2 additional wires for dimming control.

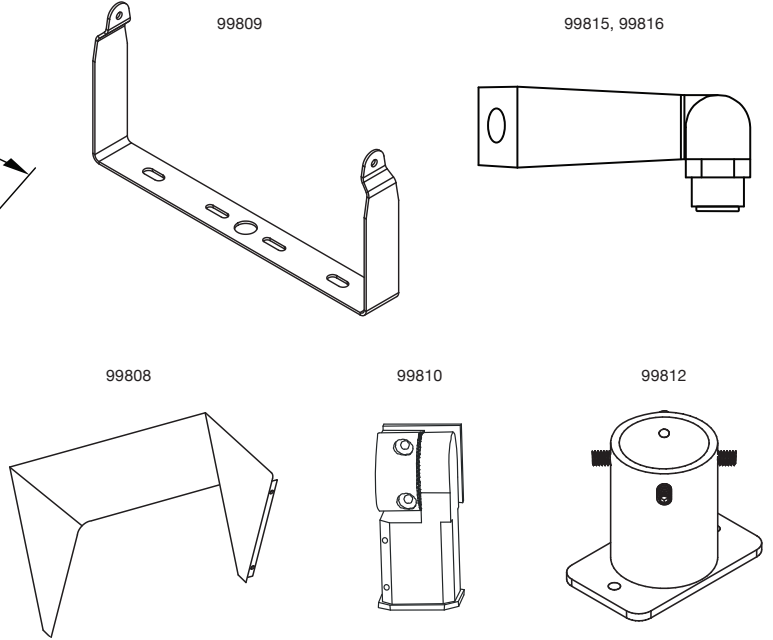


LED Large Flood Light

Dimensions

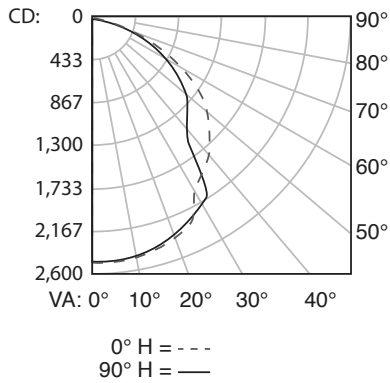


Accessories

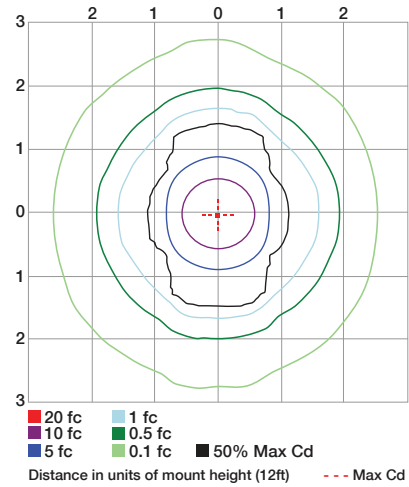


Photometrics

Polar Candela Distribution Plot



Isofootcandle Plot



Illuminance at a Distance

Height(ft)	Center Beam Footcandle	Beam Spread(ft)		Field Spread(ft)	
		Horizontal	Vertical	Horizontal	Vertical
2.0	156.1 fc	6.2	5.3	9.1	6.7
4.0	39.0 fc	12.3	10.7	18.3	13.3
8.0	9.8 fc	24.6	21.4	36.5	26.6
10.0	6.2 fc	30.8	26.7	45.7	33.3
12.0	4.3 fc	37.0	32.0	54.8	39.9
		Beam Angle		Field Angle	
		114.0°	106.3°	132.7°	118.0°

Visual Flood in fc Values

