

# 24V DC Installation Guide

20W - 96W Class 2 Voltage LED Drivers (UL Listed)

## ! BEFORE YOU BEGIN

This driver is to be installed in accordance with Article 450 of the National Electric Code. The driver must be installed in a well-ventilated area free from explosive gases and vapors. Proper operation requires for free flow of air. As this driver is hardwired it should only be installed by a qualified electrician.

### Precautions Before Installing

Check the label and ensure the driver has the proper input voltage and wattage for the job. Check the wire markings to ensure they match the wiring diagram on this installation guide.

### Mounting

Select a suitable location capable of supporting the weight of the driver. Use the two keyholes in the driver case. It is recommended that the driver be mounted vertically with the wiring compartment pointing down.

### Input Connections / Grounding

Remove the wiring compartment cover and install the clamp connectors provided with the driver. With power turned off, route the input wires through the clamp connector and connect one wire to black and one wire to white. for all wire connections use only UL listed wire nuts and connectors of suitable size and type. The driver case **MUST** be grounded in accordance with the N.E.C. Connect the ground wire to the driver green wire.

### Output Connections

Bring the wires of the light fixture through the other clamp connector and connect them to the driver wires - positive to the red (+) wire and negative to purple (-) wire. Measuring the output voltage without a load will result readings greater than the nominal voltage.



### Dimming

Dimmable with any standard MLV/Incandescent TRIAC (Leading edge) dimmer switch. Dimmer switch is to be installed on the input (120VAC side) of the driver.

**For smooth dimming 8W minimum load is required**

Please visit our website for a full dimmer compatibility list.  
- [www.magnitudeinc.com](http://www.magnitudeinc.com)

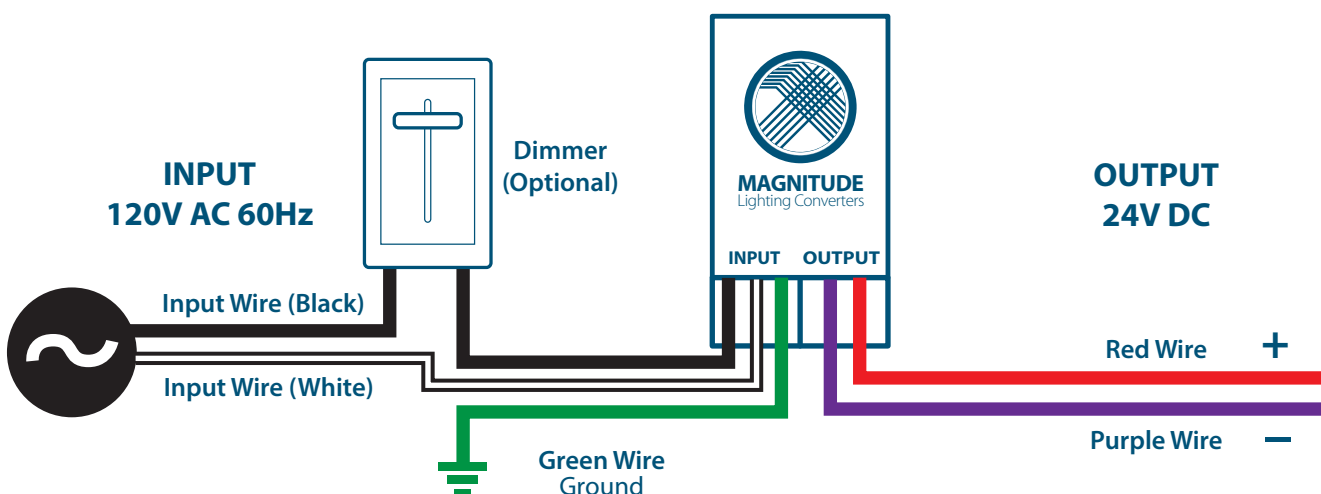
**If you need to quickly calculate the drop voltage**

Magnigauge - The Ultimate Drop Voltage Calculator Free App  
suitable for Apple and Android Devices go to  
[www.magnitudeinc.com/service-support/voltage-drop-app/](http://www.magnitudeinc.com/service-support/voltage-drop-app/)



## QUICK SPECS

Input Voltage	120V AC
Output Voltage	24V DC
Operating Temperature	-20°C - 70°C (-4°F - 158°F)
Enclosure	Nema 3R - Outdoor Use
Dimensions (inch)	6.77" x 2.67" x 1.26"
Weight	17 oz



The contents of this document are subject to change without notice