



# Contemporary Lighting

PRODUCT NAME: Alumilux

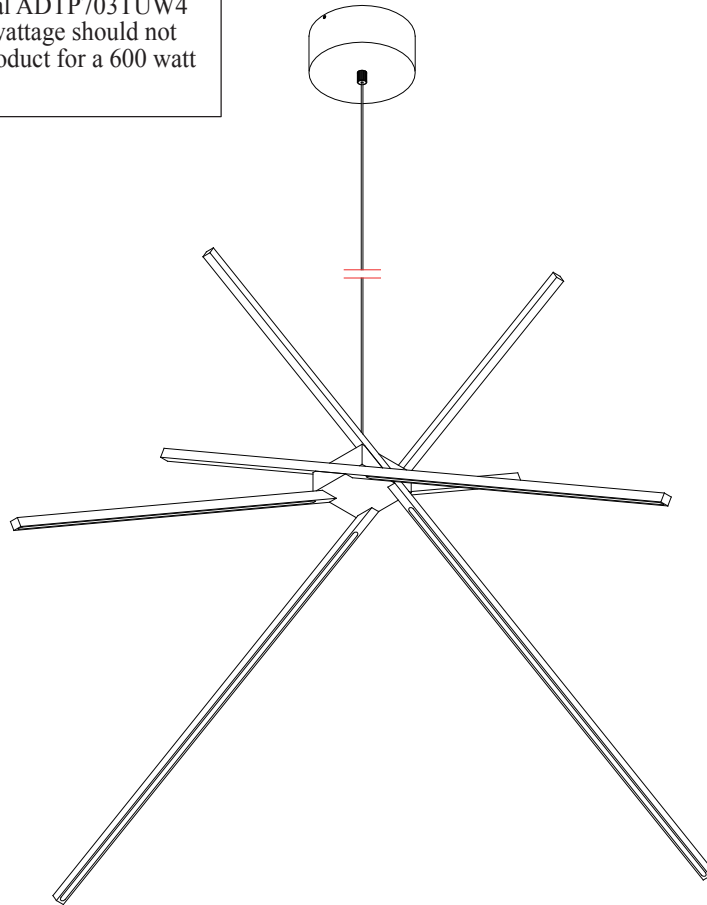
ITEM NUMBER: E41443-SA / E41443-WT

Please consult your electrician for hanging fixture and wiring.

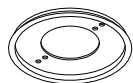
This fixture is designed to dim with an Electronic Low Voltage dimmer. Dimming levels will vary by dimmer. Below is a List of Recommended Dimmers:

- Lutron DVELV-330P
- Lutron MAELV-600M
- Lutron SAELV-153P
- Leviton IPL06-10Z
- Leviton 6674-POW
- Legrand Tru-Universal ADTP703TUW4

Due to inrush current wattage should not exceed 150 watts of product for a 600 watt dimmer.



**IMPORTANT:** Turn off the power at the main fuse or circuit breaker box before starting installation



(A)  
Backplate



(B)  
Wire Nuts (x3)

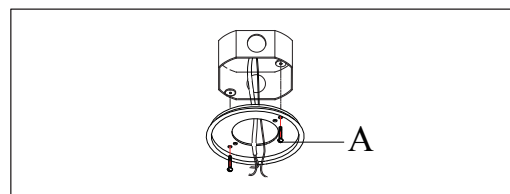
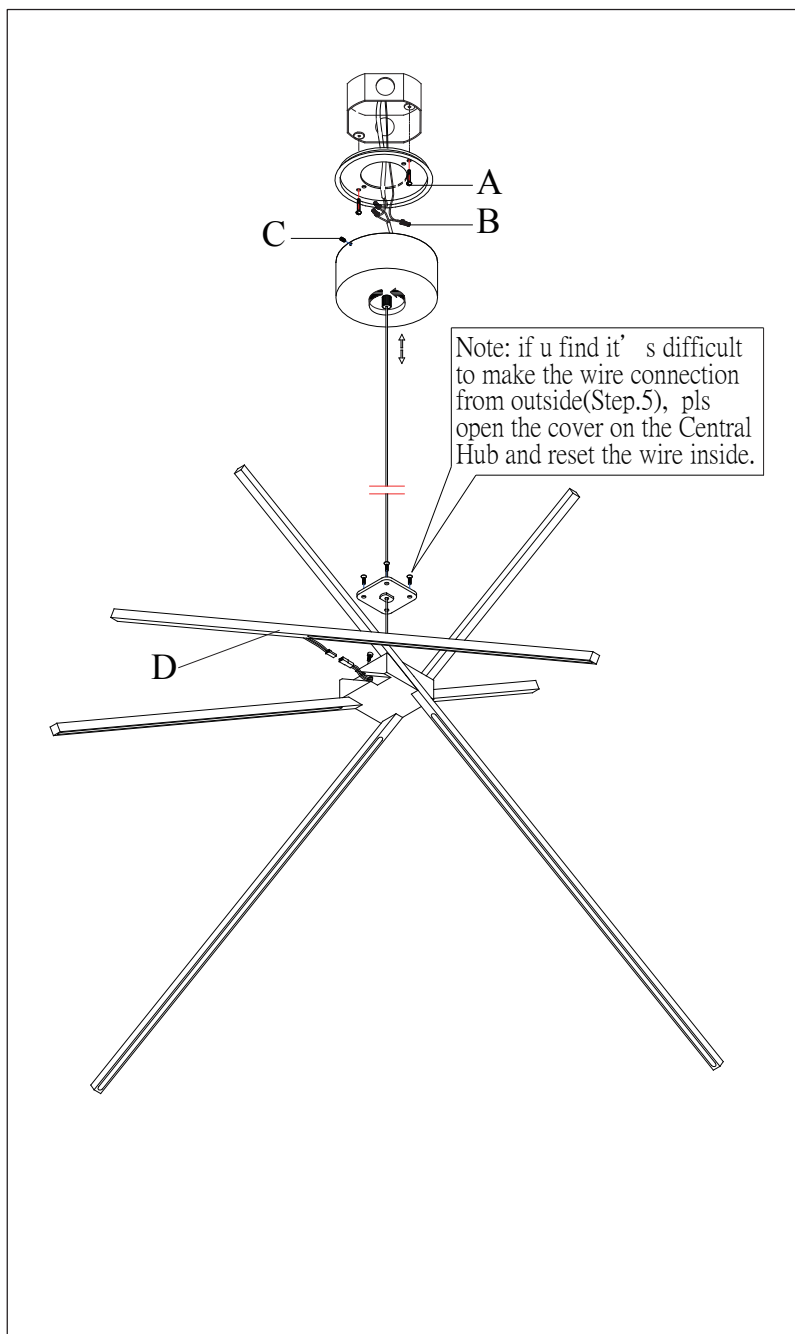


(C)  
Mounting screws (x2)



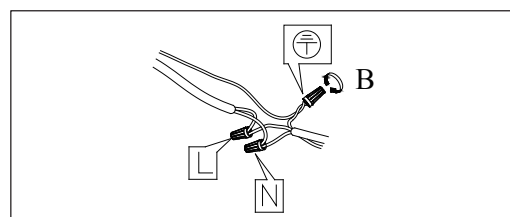
(D)  
LED arm (x4)

Locate all hardware & components before discarding packaging



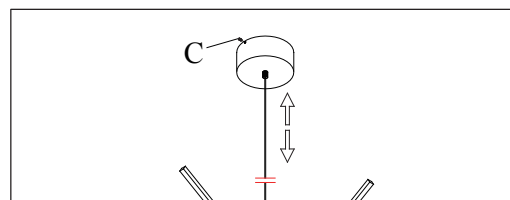
1.)

Step.1: Install Backplate(A) to outlet box.



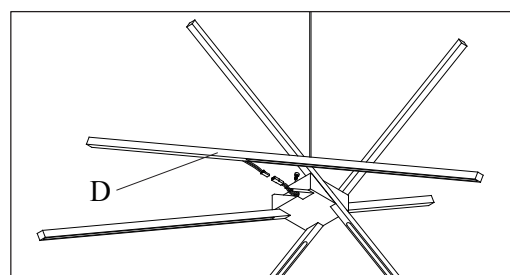
2.)

Step.2: Wire fixture to wires in outlet box.  
Green/Copper wire is for Ground.



3.)

Step.3: Install fixture to Backplate(A) and  
tighten Mounting screws (C) to secure.



4.)

Step.4: Using the quick connect plug, wire the  
LED arm (D) to the fixture body. Secure  
to the body of the fixture using screws  
provided.

#### Cleaning & Care:

Clean with soft cloth and a mild detergent.  
Do not use abrasive cleaner.