

Catalog Number: \_\_\_\_\_ Type: \_\_\_\_\_

Project: \_\_\_\_\_

Comments: \_\_\_\_\_ Date: \_\_\_\_\_

# LED Compact Flood Light



LED Compact Flood Lights are long lasting, energy efficient alternatives - only 21W delivering up-to 1590 lumens - replacing up-to 150W Quartz or 100W Metal Halide fixtures. The performance driven flood lights can be used for industrial and commercial applications. LED Compact Floods are IP65 Rated for outdoor use.<sup>1</sup> Applications include parking areas, walkways and work areas. Provides visual interest for signs, billboards, statues, architecture and landscapes. The LED Compact Flood Light is backed by a 5-Year Limited Warranty.

<sup>1</sup> IP65 Rated fixtures are rated for use outdoors where exposed directly to water from rain or irrigation.

## Performance Specifications

CRI \_\_\_\_\_ 84  
 Rated Life \_\_\_\_\_ 50,000 hour life  
 Watt \_\_\_\_\_ 21W  
 Lumens \_\_\_\_\_ 1590  
 Lumens per Watt (LPW) \_\_\_\_\_ 75  
 Input Line Voltage \_\_\_\_\_ 100-277V  
 Input Line Frequency \_\_\_\_\_ 50/60 Hz

Min. Start Temp. \_\_\_\_\_ -40°F (-40°C)  
 Max. Operating Temp. \_\_\_\_\_ 113°F (45°C)  
 Power Factor \_\_\_\_\_ >90%  
 THD \_\_\_\_\_ <20%  
 Warranty \_\_\_\_\_ 5-Year Limited  
 Weight \_\_\_\_\_ 3.5 lbs.

## Energy Savings

System	System Wattage	Replacement LED	Wattage	Energy Savings
150W Quartz	120W	FL1C/CL21BZ50/LED	21W	86%

## Construction

- Die-cast aluminum housing with removable frame and captive screws
- Clear flat glass lens
- Silicone gaskets
- Textured architectural bronze powdercoat finish
- CSA Listed for wet locations

## Accessories

- Post Top Fitter Flood - PTF/FL - 99811
- Heavy Duty Ground Stake - HDGS/FL - 99813
- Photocell 110-130V (SWIVEL) - PCS/120V - 99815
- Photocell 208-277V (SWIVEL) - PCS/277V - 99816

Accessories include hardware.

## Installation

- Adjustable knuckle with 1/2" NPS Threads
- Removable 1/2" threaded plugs with O-rings for conduit access and photocell provision

## Electrical

- 100V-277V input range
- Voltage sensing 100-277V non-dimmable driver
- 50/60 Hz input frequency
- Electrical snap-in connectors to simplify wiring and installation

## Ordering Information



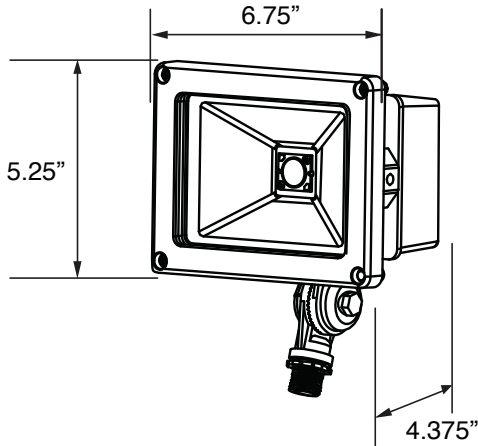
Watt	Product #	Product Code	Volts	Color Temp.	CRI	Lumens	Useful Life*	DLC® Qualified	Fixture Size L x H	Wattage Equivalent
21 Watt	99900	FL1C/CL21BZ50/LED	100-277V	5000K	84	1590	50000	Yes	7" x 5.5"	150W Quartz, 100W Metal Halide

\* Useful Life is defined as the point in time at which the lamp will maintain at least 70% of its initial lumens. The lamp will continue to operate past this point at decreased light levels.

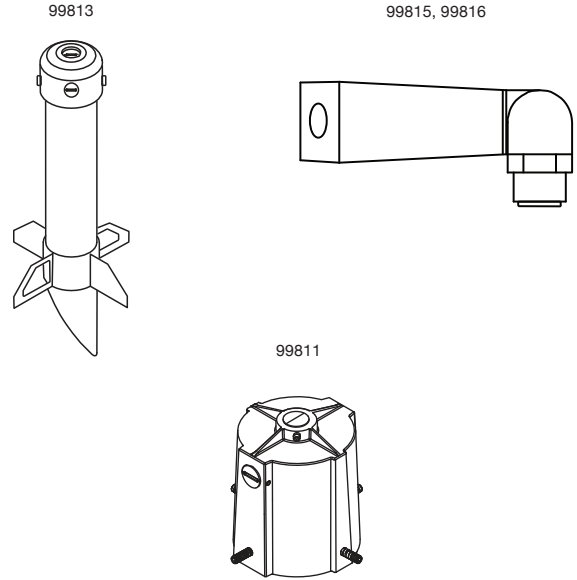


# LED Compact Flood Light

## Dimensions

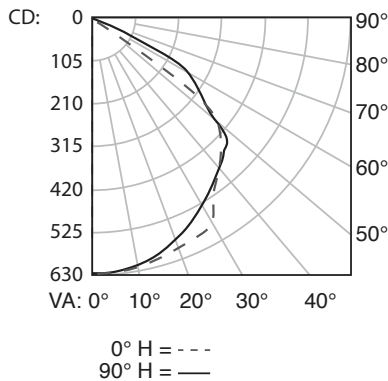


## Accessories

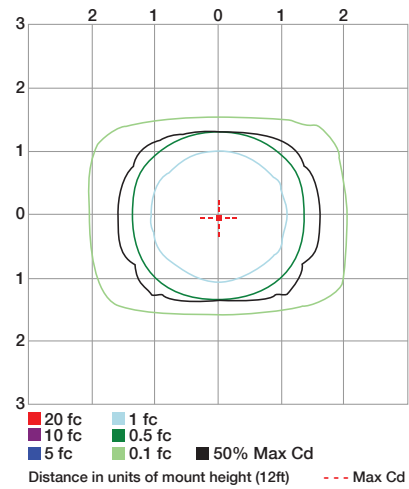


## Photometrics

### Polar Candela Distribution Plot



### Isofootcandle Plot



### Illuminance at a Distance

Height(ft)	Center Beam Footcandle	Beam Spread(ft)		Field Spread(ft)	
		Horizontal	Vertical	Horizontal	Vertical
2.0	156.1 fc	6.2	5.3	9.1	6.7
4.0	39.0 fc	12.3	10.7	18.3	13.3
8.0	9.8 fc	24.6	21.4	36.5	26.6
10.0	6.2 fc	30.8	26.7	45.7	33.3
12.0	4.3 fc	37.0	32.0	54.8	39.9
		Beam Angle		Field Angle	
		114.0°	106.3°	132.7°	118.0°

### Visual Flood in fc Values

