

Catalog Number: \_\_\_\_\_ Type: \_\_\_\_\_

Project: \_\_\_\_\_

Comments: \_\_\_\_\_ Date: \_\_\_\_\_

# Linear Vaportight Commercial



Linear Vaportight Commercials are energy efficient alternatives to linear fluorescent. The performance engineered LED technology delivers consistent color and CRI for a uniform installation and improves lumen maintenance for long useful rated life. Linear Vaportight Commercials are dimmable, are rated for high ambient temperatures and over 50,000 hour rated life. Linear Vaportight Commercials are IP65 Rated for outdoor use.<sup>1</sup> Applications include building warehouses, gas stations, parking garages and manufacturing. Linear Vaportight Commercial is backed by a 5-Year Warranty.

<sup>1</sup> IP65 Rated fixtures are rated for use outdoors where exposed directly to water from rain or irrigation.

## Performance Specifications

<b>CRI</b> _____	80	<b>Min. Start Temp.</b> _____	-4°F (-20°C)
<b>Rated Life</b> _____	50,000 hour life	<b>Max. Operating Temp.</b> _____	122°F (50°C)
<b>Watt</b> _____	48W	<b>Power Factor</b> _____	>0.98%
<b>Lumens</b> _____	5580	<b>THD</b> _____	<20%
<b>Lumens per Watt (LPW)</b> _____	116	<b>Warranty</b> _____	5-Year
<b>Input Line Voltage</b> _____	100-277V	<b>Control</b> _____	0-10V DC
<b>Input Line Frequency</b> _____	50/60 Hz	<b>Weight</b> _____	7.3 lbs.

## Energy Savings

System	System Wattage	Replacement LED	Wattage	Energy Savings
3 Lamp (T8) Fluorescents	96W	LVT4CL48/850/5S/LED	48W	50%

## Construction

- Frosted polycarbonate lens
- Backend knockouts
- Omnidirectional for optimal lighting
- Gray finish polycarbonate housing
- IP65 rated

## Accessories

- Vaportight Mounting Assembly (Mounting bracket, Aircraft Cable, and Hardware) - LVT4CL/MA - 99632

Accessories include hardware.

## Installation

- Stainless steel clips
- Ceiling or wall mount

- Suspension cable (Standard)
- Operating temperature range is -20°C (-4°F) to 40°C (104°F)

## Electrical

- 100V-277V input range
- 50/60 Hz input frequency

- UL listed for wet locations
- Voltage sensing 100-277V dimmable driver

## Ordering Information



Watt	Product #	Product Code	Volts	Color Temp.	CRI	Lumens	Useful Life*	Dimmable	Fixture Size W x H	DLC Code	Wattage Equivalent
48 Watt	99631	LVT4CL48/850/5S/LED	100-277V	5000K	80	5580	50,000	0-10V	50" (1268.40 mm) x 4.30" (109mm)	PLCKPC149ZSF	3-Lamp T8 96W

\* Useful Life is defined as the point in time at which the lamp will maintain at least 70% of its initial lumens. The lamp will continue to operate past this point at decreased light levels.

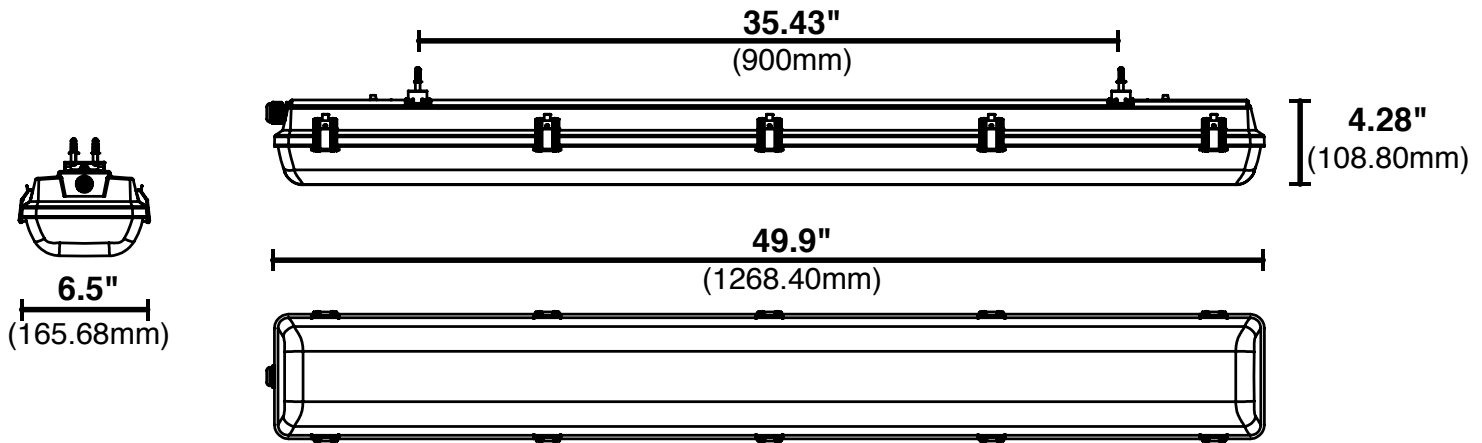
May not be compatible with all dimming systems, dimming performance may vary by system. Requires a 0-10V dimmer, with 2 additional wires for dimming control.

Warranty – Commercial / Industrial: This product is warranted for 5 years from the date of purchase.



# Linear Vaportight Commercial

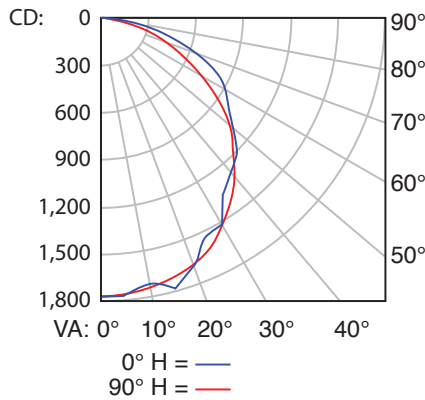
## Dimensions



## Photometrics

### Polar Candela Distribution Plot

LVT4CL48/850/5S/LED



### ILLUMINANCE AT A DISTANCE

HEIGHT (FT)	CENTER BEAM FOOTCANDLE	BEAM SPREAD (FT)		FIELD SPREAD (FT)	
		HORIZONTAL	VERTICAL	HORIZONTAL	VERTICAL
2.00	441.81 FC	5.6	7.4	23.4	65.4
4.00	110.45 FC	11.3	14.8	46.8	130.8
6.00	49.09 FC	16.9	22.2	70.2	196.2
8.00	27.61 FC	22.6	29.6	93.6	261.6
10.00	17.67 FC	28.2	37.0	117.0	327.0
		BEAM ANGLE		FIELD ANGLE	
		109.4°	123.3°	160.6°	173.0°

### ZONAL LUMEN SUMMARY

ZONE	LUMENS	% LAMP	% LUMINAIRE
0-30	1,385.8	24.6%	24.6%
0-40	2,258.4	40.1%	40.1%
0-60	4,003.1	71.1%	71.2%
60-90	1,325.8	23.5%	23.6%
70-100	733.1	13%	13%
90-120	188.5	3.3%	3.3%
0-90	5,328.9	94.6%	94.7%
90-180	297.2	5.3%	5.3%
0-180	5,626.2	99.9%	100%

### LUMENS PER ZONE

ZONE	LUMENS	% TOTAL	ZONE	LUMENS	% TOTAL
0-10	166.9	3.0%	90-100	87.9	1.6%
10-20	486.3	8.6%	100-110	57.6	1%
20-30	732.6	13.0%	110-120	43.0	0.8%
30-40	872.7	15.5%	120-130	33.6	0.6%
40-50	907.7	16.1%	130-140	25.9	0.5%
50-60	837.0	14.9%	140-150	20.1	0.4%
60-70	680.6	12.1%	150-160	15.4	0.3%
70-80	441.0	7.8%	160-170	10.1	0.2%
80-90	204.2	3.6%	170-180	3.6	0.1%

### LCS TABLE

BUG RATING	B2 - U3 - G2
<b>FORWARD LIGHT</b>	<b>LUMENS LUMENS %</b>
LOW(0-30):	690.8 12.3%
MEDIUM(30-60):	1,302.2 23.1%
HIGH(60-80):	552.5 9.8%
VERY HIGH(80-90):	97.8 1.7%
<b>BACK LIGHT</b>	
LOW(0-30):	695.5 12.4%
MEDIUM(30-60):	1,316.2 23.4%
HIGH(60-80):	569.5 10.1%
VERY HIGH(80-90):	106.4 1.9%
<b>UPLIGHT</b>	
LOW(90-100):	87.8 1.6%
HIGH(100-180):	209.4 3.7%
<b>TRAPPED LIGHT:</b>	3.5 0.1%

### FLOOD SUMMARY

	EFFICIENCY	LUMENS	HORIZONTAL SPREAD	VERTICAL SPREAD
<b>FIELD (10%):</b>	93.4%	5,259.1	160.6	173
<b>BEAM (50%):</b>	67.3%	3,789.8	109.4	123.3
<b>TOTAL:</b>	94.6%	5,329.1		