

Catalog Number: _____ Type: _____

Project: _____

Comments: _____ Date: _____

LED Ceiling Vaportight



LED Ceiling Vaportights are energy efficient alternatives - only 13W delivering up-to 911 lumens - replacing up-to 70W Metal Halide or 150W High Pressure Sodium fixtures. The performance engineered LED technology delivers consistent color and CRI for a uniform installation and improves lumen maintenance for long useful rated life. LED Ceiling Vaportight offers 0-10V dimming standard with low voltage leads supplied in the integrated driver. LED Vaportights are IP65 Rated for outdoor use.¹ Applications include building exteriors, door entrances, covered canopies, car washes, bridge walkways and platforms. The LED Ceiling Vaportight is backed by a 5-Year Limited Warranty.

¹ IP65 Rated fixtures are rated for use outdoors where exposed directly to water from rain or irrigation.

Performance Specifications

CRI _____	80+	Min. Start Temp. _____	-40°F (-40°C)
Rated Life _____	50,000 hour life	Max. Operating Temp. _____	113°F (45°C)
Watt _____	13W	Power Factor _____	>90%
Lumens _____	911	THD _____	<20%
Lumens per Watt (LPW) _____	70	Warranty _____	5-Year Limited
Input Line Voltage _____	100-277V	Control _____	0-10V Dimmable
Input Line Frequency _____	50/60 Hz	Weight _____	7.5 lbs.

Energy Savings

System	System Wattage	Replacement LED	Wattage	Energy Savings
70W Metal Halide	85W	VT1/CL13GRY50/CM/LED	13W	85%

Construction

- Heavy duty die-cast aluminum housing with screw on guard
- Silicone gaskets
- Repaintable textured grey powdercoat finish
- Ceiling mount
- Clear glass globe
- CSA listed for wet locations

Installation

- Mounts on electrical box or ceiling mount
- Removable threaded 3/4" plugs with O-rings for 3/4" conduit access

Electrical

- 100V-277V input range
- 50/60 Hz input frequency
- 0-10V dimming standard
- Voltage sensing 100-277V dimmable driver
- Electrical snap-in connectors to simplify wiring and installation

Ordering Information



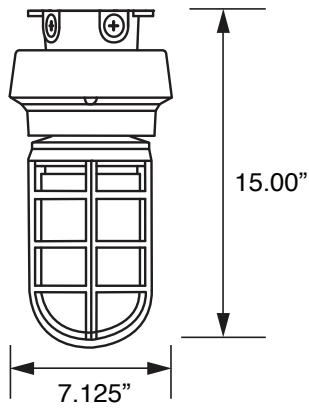
Watt	Product #	Product Code	Volts	Color Temp.	CRI	Lumens	Useful Life*	Dimmable	Fixture Size W x H	Wattage Equivalent
13 Watt	99904	VT1/CL13GRY50/CM/LED	100-277V	5000K	80+	911	50000	0-10V	7" x 15"	70W MH, 150W HPS

* Useful Life is defined as the point in time at which the lamp will maintain at least 70% of its initial lumens. The lamp will continue to operate past this point at decreased light levels. May not be compatible with all dimming systems, dimming performance may vary by system. Requires a 0-10V dimmer, with 2 additional wires for dimming control.



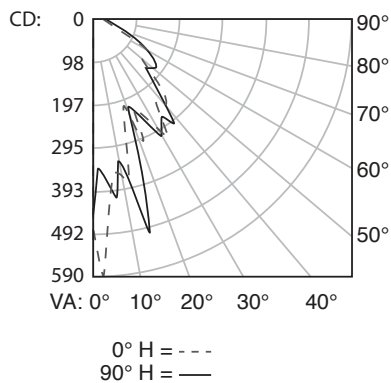
LED Ceiling Vaportight

Dimensions

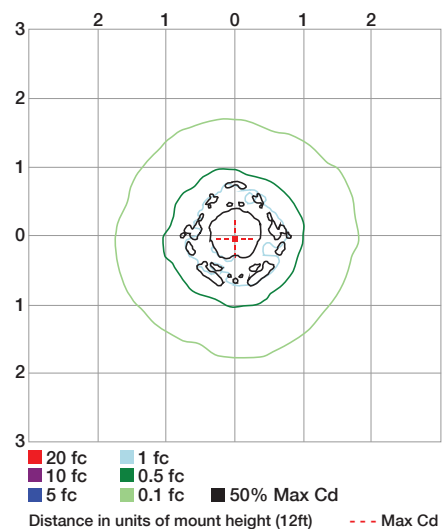


Photometrics

Polar Candela Distribution Plot



Isofootcandle Plot



Illuminance at a Distance

Height(ft)	Center Beam Footcandle	Beam Spread(ft)		Field Spread(ft)	
		Horizontal	Vertical	Horizontal	Vertical
2.0	115.3 fc	1.2	1.3	11.2	11.9
4.0	28.8 fc	2.4	2.7	22.3	23.8
8.0	12.8 fc	3.6	4.0	33.5	35.7
10.0	7.2 fc	4.8	5.3	44.7	47.5
10.0	4.6 fc	6.0	6.7	55.9	59.4
12.0	3.2 fc	7.2	8.0	67.0	71.3
		Beam Angle		Field Angle	
		33.4°	36.9°	140.6°	142.8°