

# CS-50 PIR Wall Switch Vacancy Sensor

Manual-on/automatic-off control

Two-wire sensor; no neutral connection

LED status indicator



Adjustable time delay

Compliant with California Title 24-2008

PROJECT

LOCATION/TYPE

## Product Overview

### Description

The CS-50 Passive Infrared (PIR) Vacancy Sensor provides automatic shutoff for single-pole lighting control applications in the home. It is engineered to comply with California's Title 24-2008 residential energy code.

### Operation

The CS-50 operates as a manual-on sensor. Users must press the pushbutton to turn on lighting. The CS-50 employs PIR technology to sense the difference between the infrared energy from a person in motion and the background space. It keeps lighting on as long as motion is detected and provides automatic shutoff, following a user-selected time delay, when motion is no longer detected. Users may turn the lighting off manually.

### Adjustable Time Delay

The CS-50 is shipped preset for a 30 minute time delay, and does not require any adjustment after installation. If desired, the time delay may be easily reduced to 25, 20, 15, 10 or 5 minutes or to 30 seconds. The time delay should be set relative to the anticipated duration of stay and level of activity in the room; 30 minutes for bedrooms and bathrooms and 5 to 10 minutes for pantries and laundry rooms.

### Applications

The CS-50 is ideal for many residential applications where the switch location has an unobstructed line of sight of the room. It does not require a neutral wire in the switch box and may be used to switch lighting or fan motors.

## Features

- Replaces single-pole switches
- Adjustable time delay, 30 seconds to 30 minutes
- If enabled, status indicator blinks when motion is detected
- Low-profile styling
- Choice of five decorator colors; lens is color-matched to device
- Operates most common types of residential lighting or fan motors
- Relay-based switching
- No current leakage to load in off mode for safety
- Compatible with decorator wall plates
- CA Title 24 compliant

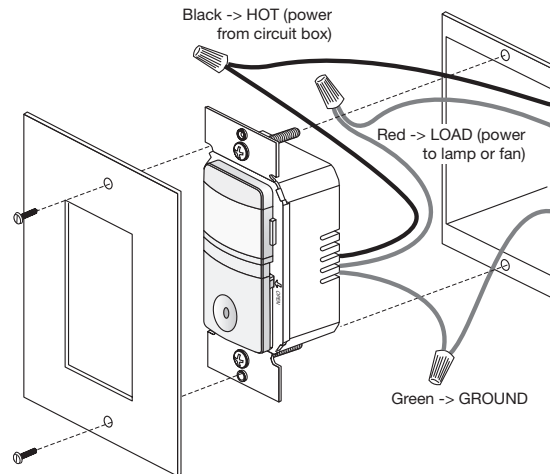


## Specifications

- 120 VAC, 60 Hz
- Load ratings: 0-600 watt incandescent, LED, fluorescent, compact fluorescent (CFL), magnetic low voltage (MLV) or electronic low voltage (ELV) or 1/6 hp motor
- Time delay settings: 30 seconds, 5, 10, 15, 20, 25, 30 minutes
- PIR coverage: 180°, 600 ft<sup>2</sup> (56 m<sup>2</sup>)
- LED to indicate motion detection
- 2.67" x 1.73" x 1.77" (68mm x 44mm x 45mm) L x W x D
- Operating conditions: 32-131°F (0-55°C), 95% RH, non-condensing; for indoor use only
- UL and cUL listed
- Five year warranty

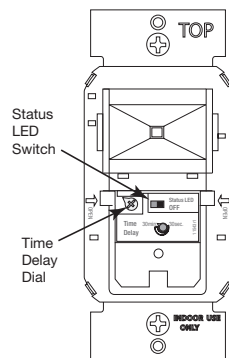
## Installation & Wiring

### Wiring Diagram



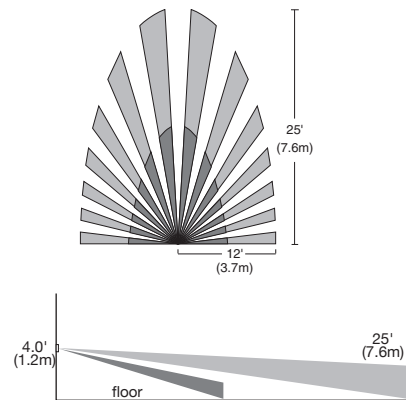
## Adjustments & Coverage

### Accessing Adjustments



Adjustment controls are located behind the front cover of the unit and are clearly labeled.

### Coverage Pattern



## Ordering Information

Catalog No.	Color	Description	Voltage	Load Rating	Coverage
<input type="checkbox"/> CS-50-W	White	PIR Wall Switch Vacancy Sensor	120 VAC, 60 Hz	0-600W incandescent, LED, fluorescent, CFL, MLV, ELV or 1/6 hp motor	180°, max. 600 ft <sup>2</sup> (56m <sup>2</sup> )
<input type="checkbox"/> CS-50-I	Ivory				
<input type="checkbox"/> CS-50-LA	Light Almond				
<input type="checkbox"/> CS-50-A	Almond				
<input type="checkbox"/> CS-50-B	Black				

Order wall plate separately.