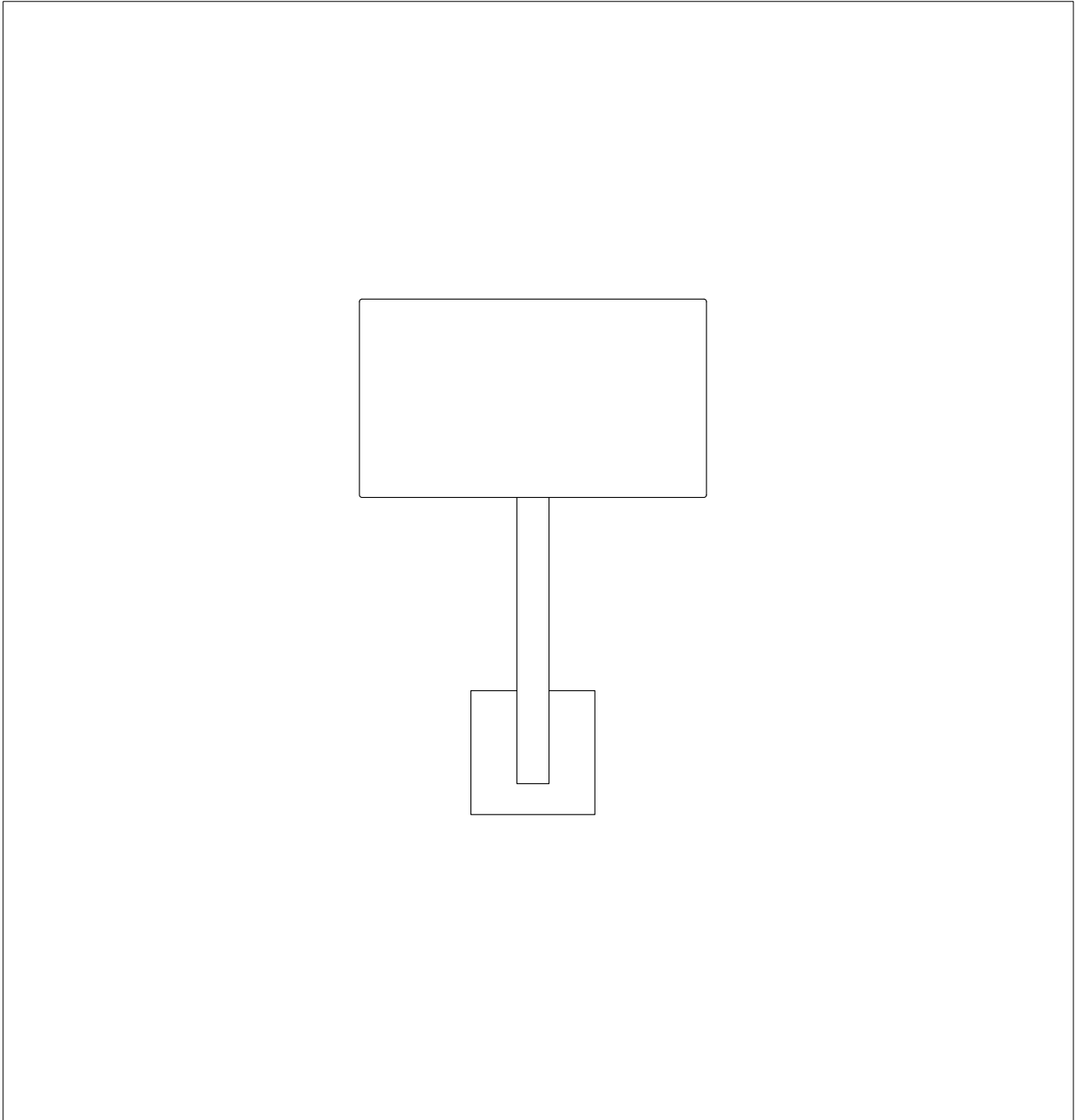




PRODUCT NAME: HOTEL
ITEM NUMBER: 60160WAPC

Please consult your electrician for hanging fixture and wiring.

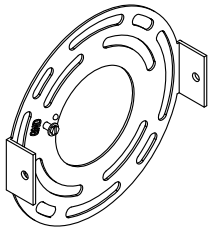


GU24 1X9W

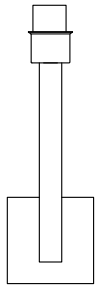
PRODUCTS ARE NOT INTENDED
FOR COMMERCIAL USE.

MADE IN CHINA
Page 1 of (2)

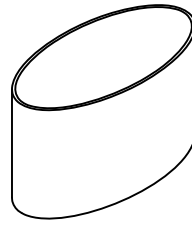
IMPORTANT: Turn off the power at the main fuse or circuit breaker box before starting installation



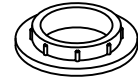
Bracket (A)



Body (B)

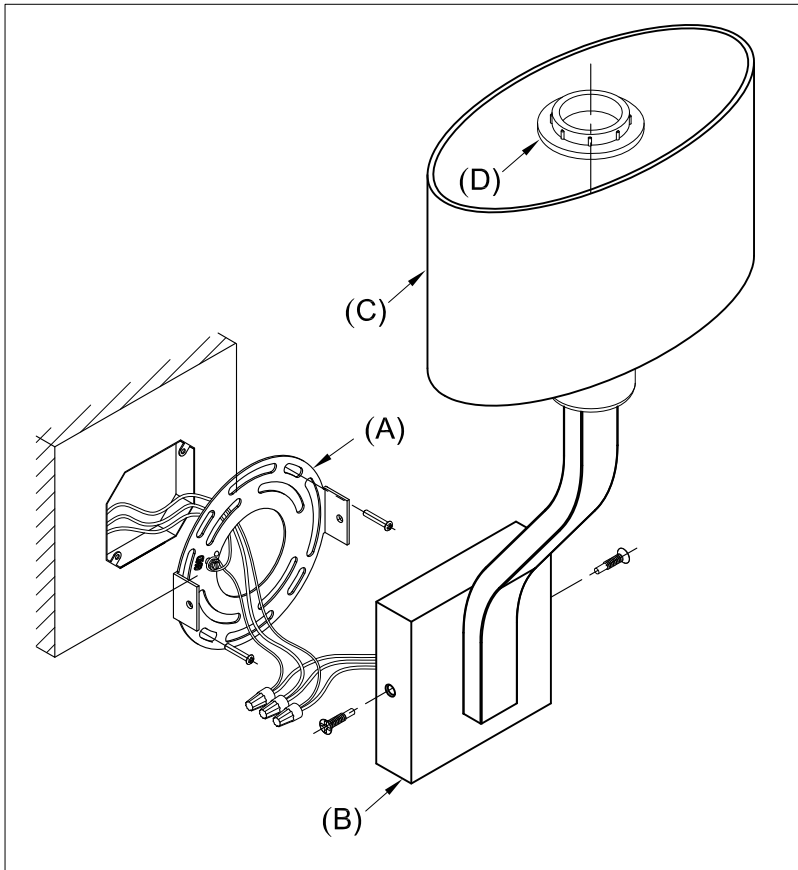


Shade (C)

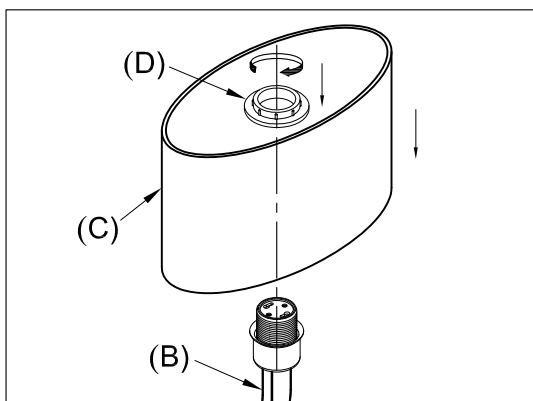


Socket ring (D)

Locate all hardware & components before discarding packaging

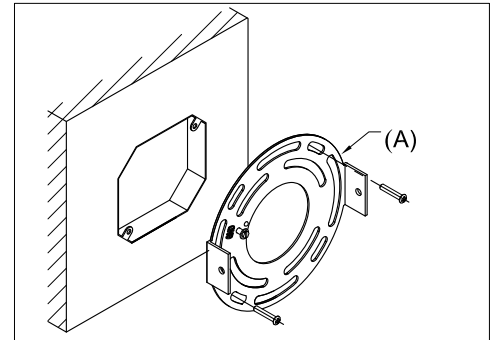


Step 4: Remove the Socket ring (D) from fixture (B). Attach shade (C) and secure using socket ring (D).



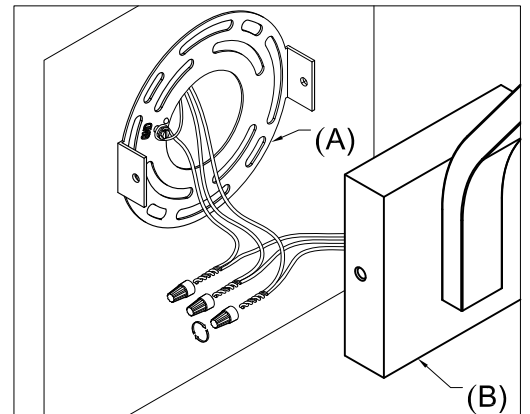
Cleaning & Care:

Clean with soft cloth and a mild detergent.
Do not use abrasive cleaner.



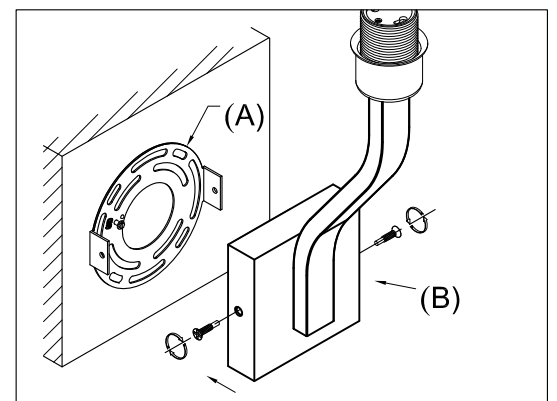
1.)

Step 1: Remove bracket (A) from fixture and install to electrical box.



2.)

Step 2: Wire fixture to wires in outlet box.
Copper wire is for ground



3.)

Step 3: Attach the body (B) to the mounting bracket (A) using screws provided.