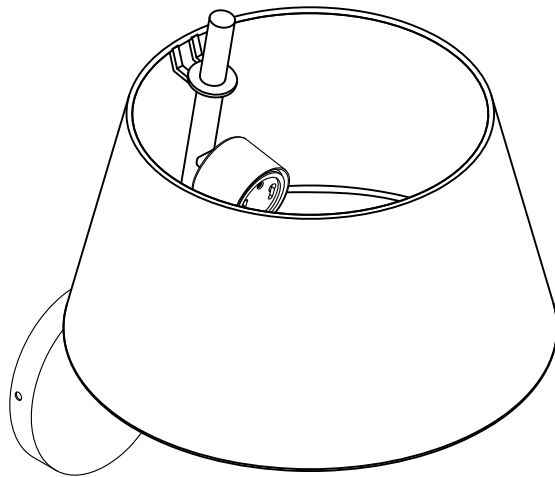




PRODUCT NAME: HOTEL  
ITEM NUMBER: 60141WAPC

Please consult your electrician for hanging fixture and wiring.

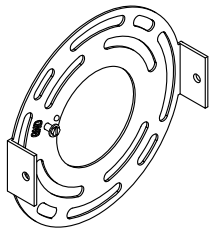


GU24 1X9W

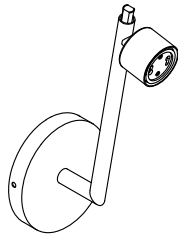
PRODUCTS ARE NOT INTENDED  
FOR COMMERCIAL USE.

MADE IN CHINA  
Page 1 of (2)

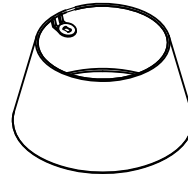
**IMPORTANT:** Turn off the power at the main fuse or circuit breaker box before starting installation



Bracket (A)



Body (B)

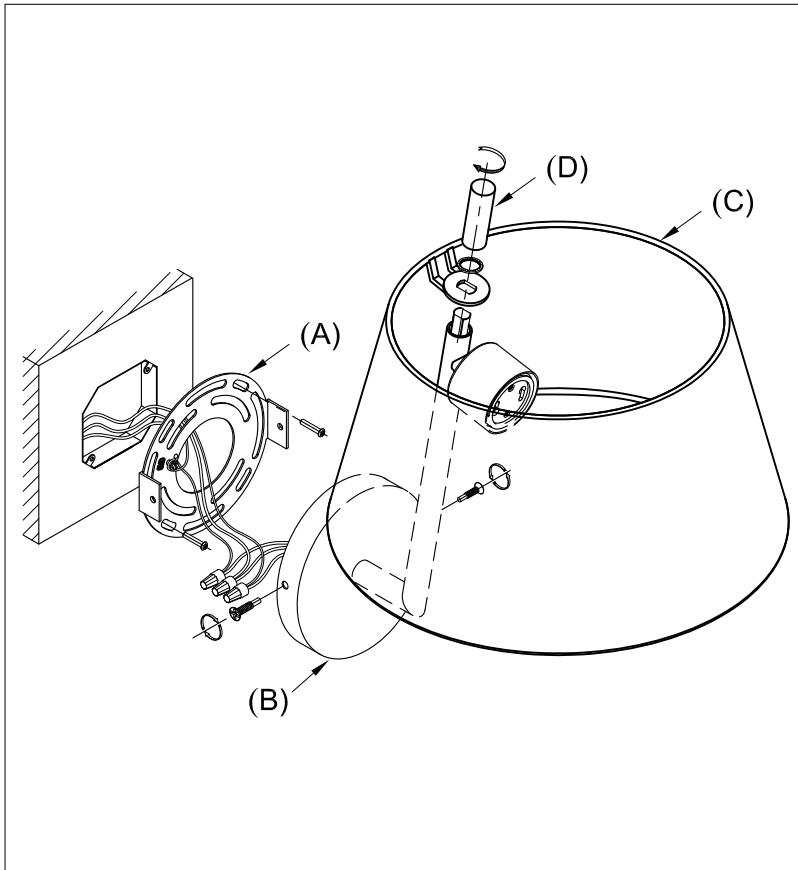


Shade (C)

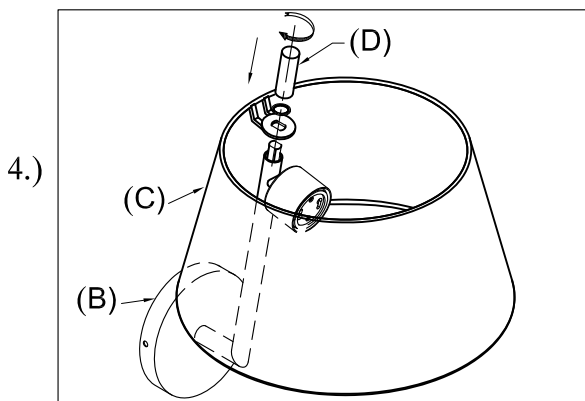


Finial (D)

Locate all hardware & components before discarding packaging

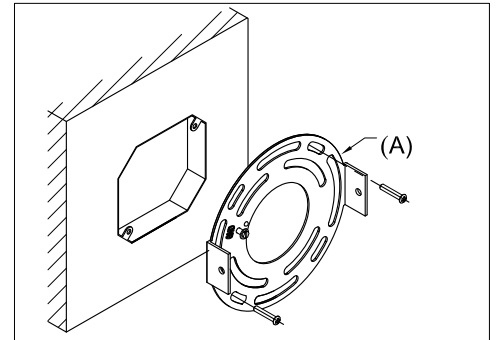


**Step 4:** Insert LED GU24 bulb provided. Attach shade (C) to fixture (B) and secure using finial (D).



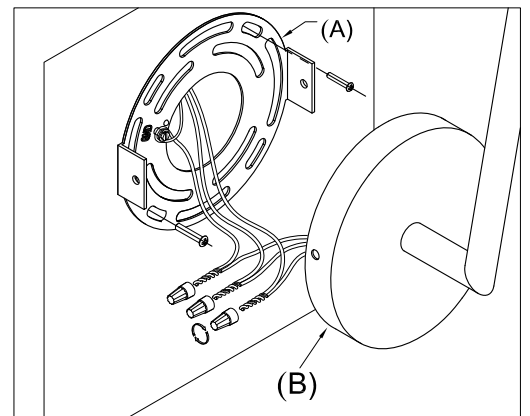
**Cleaning & Care:**

Clean with soft cloth and a mild detergent.  
Do not use abrasive cleaner.



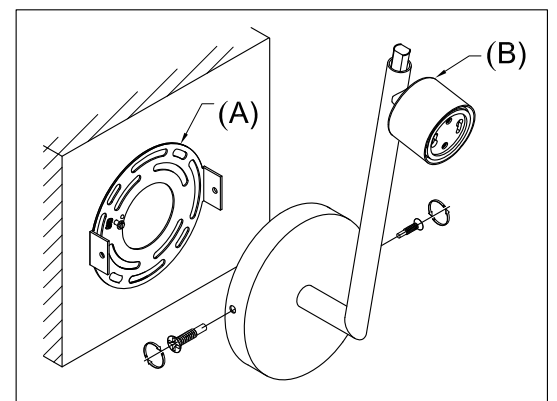
1.)

**Step 1:** Remove mounting bracket (A) from fixture and install to electrical box.



2.)

**Step 2:** Wire fixture to wires in outlet box.  
Copper wire is for ground



3.)

**Step 3:** Attach the body (B) to the mounting bracket (A) using screws provided.