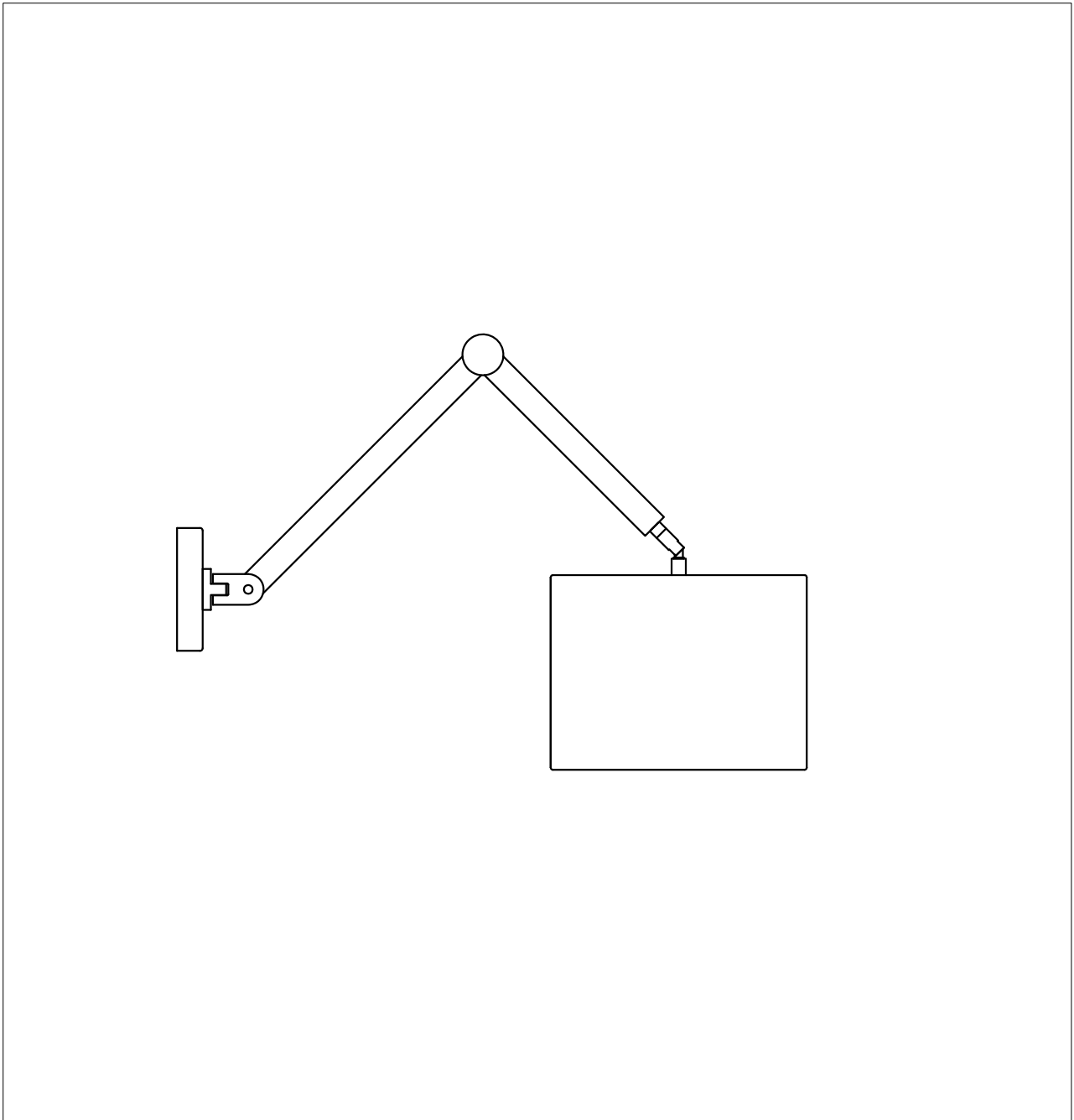




PRODUCT NAME: HOTEL
ITEM NUMBER: 60132WAPC

Please consult your electrician for hanging fixture and wiring.

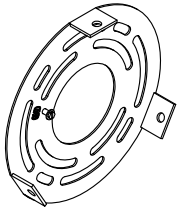


E26 1X16W

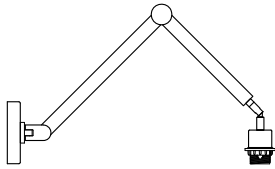
PRODUCTS ARE NOT INTENDED
FOR COMMERCIAL USE.

MADE IN CHINA
Page 1 of (2)

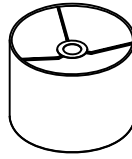
IMPORTANT: Turn off the power at the main fuse or circuit breaker box before starting installation



Bracket (A)



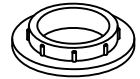
Body (B)



Shade (C)

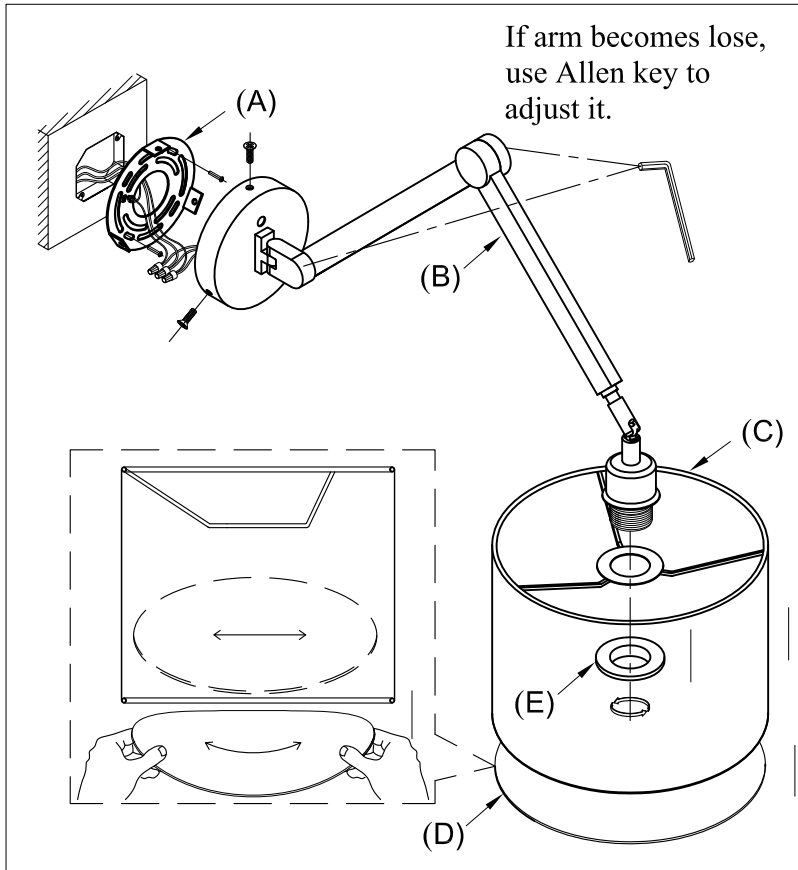


Acrylic diffuser (D)

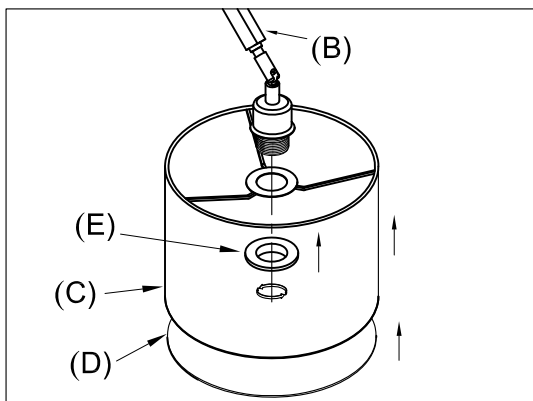


Socket ring (E)

Locate all hardware & components before discarding packaging

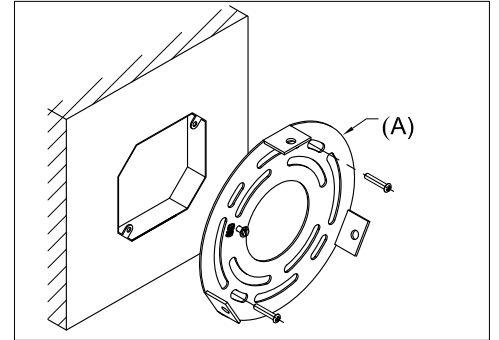


Step 4: Remove the socket ring (E) from fixture (B). Attach shade (C) and secure using socket ring (E). Insert acrylic diffuser (D) through the bottom of the shade.



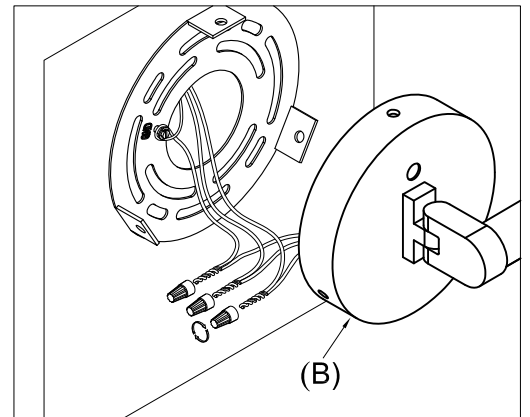
Cleaning & Care:

Clean with soft cloth and a mild detergent.
Do not use abrasive cleaner.



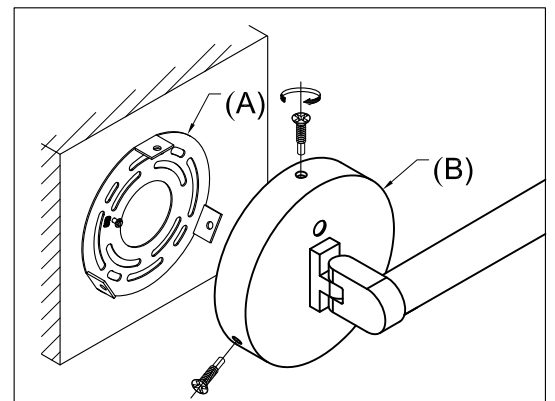
1.)

Step 1: Remove mounting bracket (A) from fixture and install to electrical box.



2.)

Step 2: Wire fixture to wire in outlet box.
Copper wire is for ground



3.)

Step 3: Attach the body (B) to the mounting bracket (A) using three screws provided.