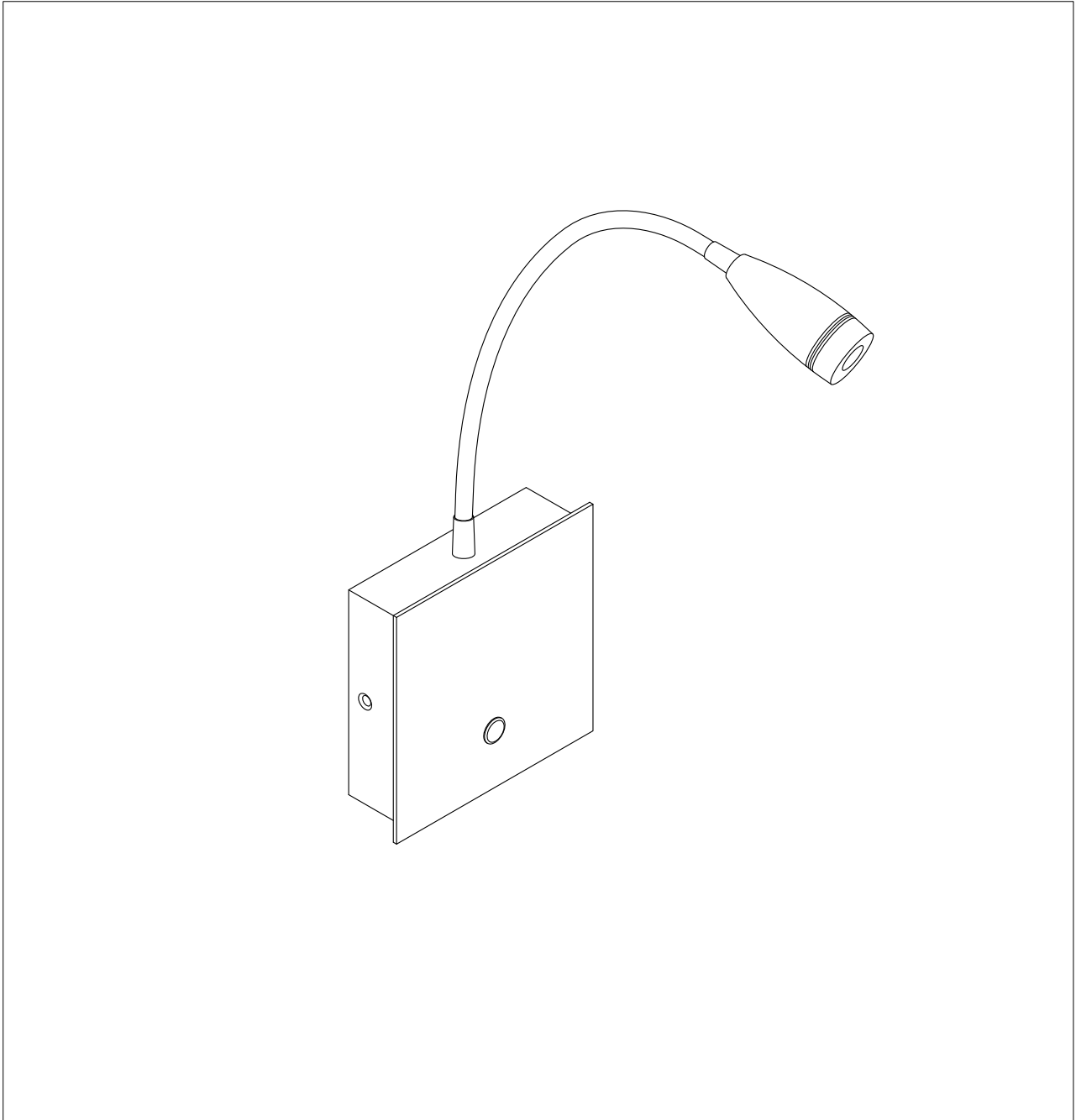




PRODUCT NAME: HOTEL  
ITEM NUMBER: 60100SV

Please consult your electrician for hanging fixture and wiring.

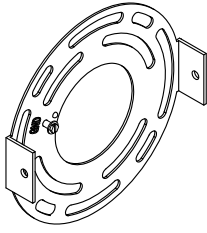


LED 1X3W

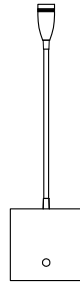
PRODUCTS ARE NOT INTENDED  
FOR COMMERCIAL USE.

MADE IN CHINA  
Page 1 of (2)

**IMPORTANT:** Turn off the power at the main fuse or circuit breaker box before starting installation

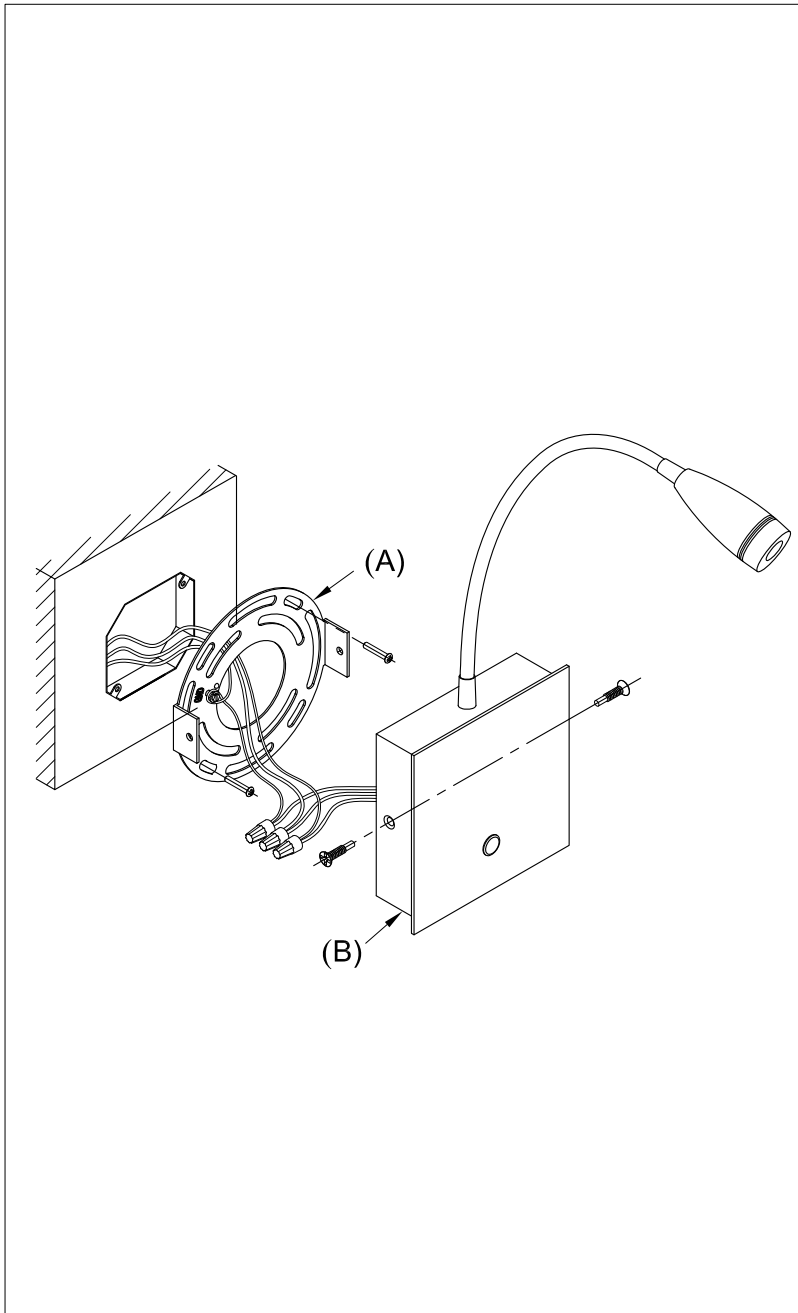


Bracket (A)

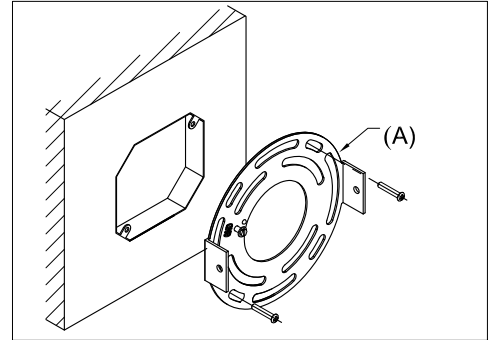


Body (B)

Locate all hardware & components before discarding packaging

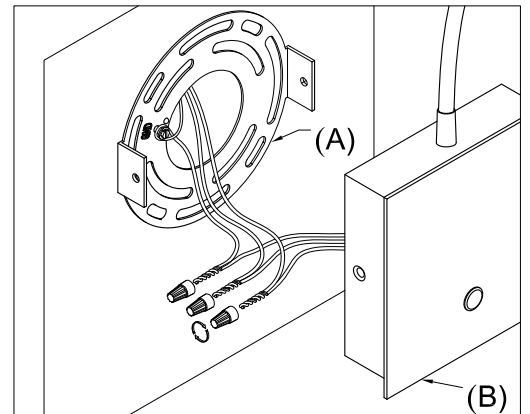


1.)



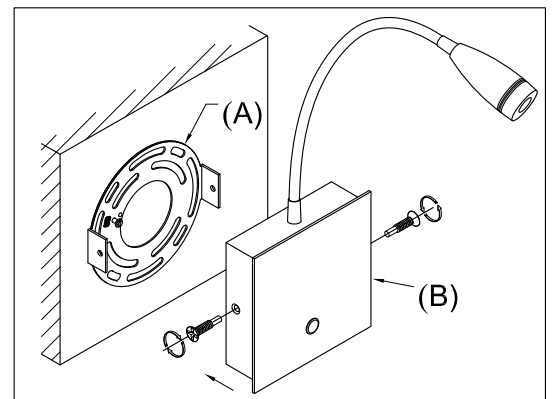
**Step 1:** Remove bracket (A) from fixture and install to electrical box.

2.)



**Step 2:** Wire fixture to wires in outlet box.  
Copper wire is for ground

3.)



**Step 3:** Attach the body (B) to the mounting bracket (A) using screws provided.

**Cleaning & Care:**

Clean with soft cloth and a mild detergent.  
Do not use abrasive cleaner.