

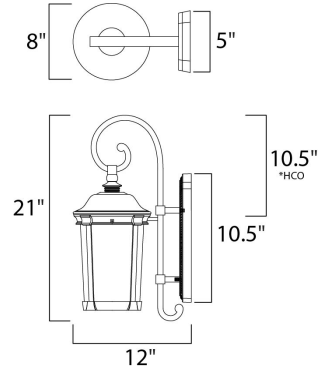


Product Specifications - 55023CDBZ

Job Name:	Job Type:
Quantity:	Comments:



55023CDBZ
Dover LED Outdoor Wall Lantern



*height from center of outlet to the top of the fixture

Finish
Bronze

Glass/Shade
Seedy

Product Category
Outdoor Wall Mount

Lamping

Number of Bulbs	1
Light Type	LED
Bulb Type	PCB Board
Max Bulb Wattage	8
Max Fixture Wattage	8
Rated Life	
Rated Lumens	±560
Color Temp	±3,000 K
Bulb(s)	Not Included
Light Up/Down	N/A
Beam Spread	N/A
CRI	80+
Photo Cell Included	N/A
Ballast/Driver/Transformer	Yes
Dimmable	N/A

Measurements

Width	8.00"
Height	21.00"
Length	N/A
Extension	12"
Back Plate Width	5.00"
Back Plate Height	10.50"
HCO	10.50"
Min Overall Height	0.00"
Max Overall Height	N/A
Hanging Weight	4.82 lbs
Height Adjustable	N/A
Slope	N/A
Chain Length	N/A
Wire Length	N/A
Canopy Width	N/A
Canopy Height	N/A
Canopy Length	N/A

Shipping

Carton Weight	7.24 lbs
Carton Width	10"
Carton Height	28"
Carton Length	14"
Carton Cubic Feet	2.25
Master Pack	1
Master Pack Weight	N/A
Master Pack Width	N/A
Master Pack Height	N/A
Master Pack Length	N/A
Master Cubic Feet	N/A
UPS Shippable	Yes

Certification

Safety Rating	Wet
Energy Star	No
CA Title 24	Yes
CA Title 20	No
ADA	No
Dark Sky	Yes

Other

UPC Code	783209118874
Shades Included	N/A
Crystals Included	N/A
Diffuser Included	N/A
Conversion Kit	N/A
Material	N/A

Equivalents

Incandescent Watts	N/A
Fluorescent Watts	N/A

Maxim Lighting International and all designs, logos and images © 2016 Maxim Lighting International. All Rights Reserved. Maxim Lighting International reserves the right, at any time, to make changes in the design and/or construction of the product including the discontinuation of product without prior notice. Color may vary from what is pictured above due to limitations inherent to photographic processes.

Always consult a qualified, licensed electrician before installation of any product weighing 35 pounds or more. We recommend that a qualified, licensed electrician do the installation. Always install to a mechanically sound structure.