

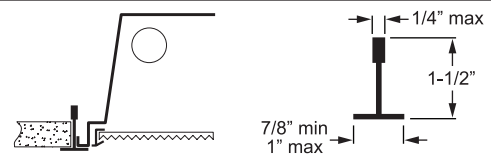
Warning:

Caution – Risk of Shock

- This product must be installed in accordance with the applicable installation code by a person familiar with the construction and operation of the product and the hazards involved.
- LEDs are ESD (Electro Static Discharge) sensitive devices that can be easily damaged if the proper ESD mitigating steps are not taken.
- LEDs are very sensitive to mechanical damage. Caution must be taken to avoid damage to the LEDs.
- Do not use power tools to fasten the boards into the fixture. Over-torquing the LED board fasteners will damage the boards.
- Make sure all electrical power is turned off while installing the fixture.
- This luminaire must be adequately grounded for protection against shock hazards and to assure proper operation.
- Disconnect power before servicing.

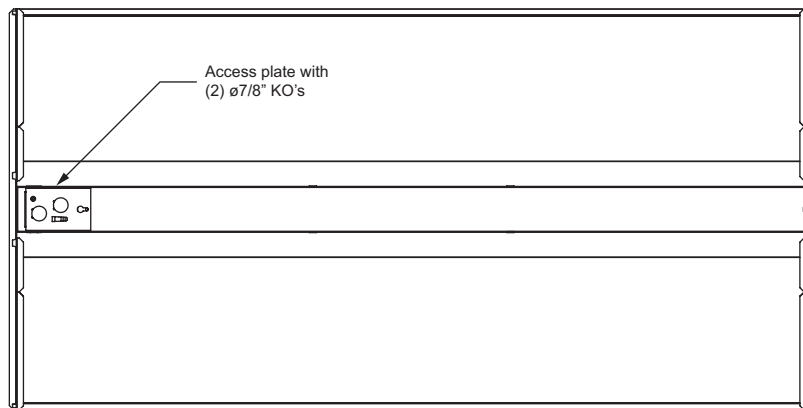
What is a NEMA "G" (Grid) fixture?

- All Williams grid fixtures (NEMA Type "G") are designed to fit securely into a standard NEMA Type "G", 1" nominal T-bar system.



**** Installation of these products should only be performed by a qualified electrician. ****

1. Follow the steps below to install the fixture(s) into a NEMA Type "G" ceiling system:
 - a. Raise the fixture through the ceiling opening and rest the fixture in the grid system.
 - b. Center the fixture within the opening.
 - c. Use earthquake clips or integral T-bar clips to secure the fixture to the ceiling structure for added stability.
 - d. Refer to local codes for other installation requirements.
2. Once the fixture is installed into the ceiling system, follow the steps below to complete necessary electrical connections:
 - a. Remove access plate on the back of the fixture (see illustration below).
 - b. Remove ballast supply wires from access plate.
 - c. Make wire connections in accordance with local codes. Ground screw is provided on access plate.
 - d. Re-install access plate.

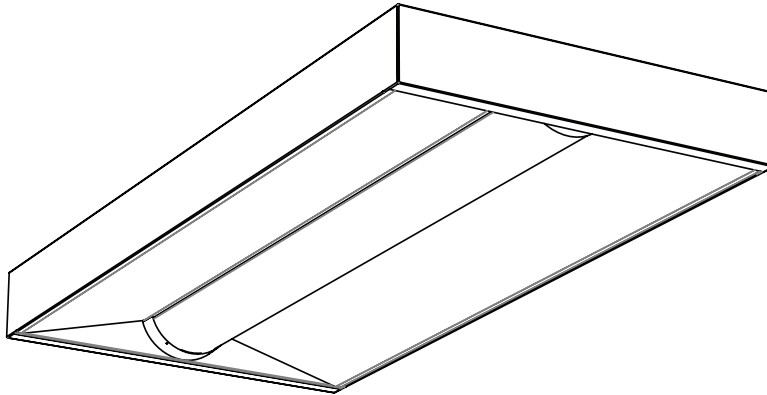


Note: Refer to individual product specification sheets for further information.

**** Installation of these products should only be performed by a qualified electrician. ****

1. Follow the steps below to install the fixture(s) as a Surface Mount application:
 - a. Carefully unpack the fixture and Surface Mount Kit (SMK).
 - b. Surface mount fixtures typically mount directly over a recessed junction box (furnished by others). Remove the appropriate knockout in the Surface Mount Kit (SMK) to bring incoming power into the fixture.
 - c. Mount the SMK to the ceiling using the four 7/32" holes located in the corners, with incoming power pulled into SMK. The additional wire, fasteners, bolts, etc. required to support the fixture will be provided by others.

2. Once the SMK is installed, follow the steps below to complete necessary electrical connections and installation:
 - a. Connect incoming power to the driver leads, located inside the fixture driver compartment.
 - b. Insert the fixture, at a slight angle, into the SMK by slipping one end of the fixture into the end of the SMK. Allow the fixture to extend into the end of the SMK until the opposite end may be raised inside.
 - c. Center the fixture in the SMK.
 - d. Clips in the SMK will engage the rectangular notches in the fixture's sides. **Note:** Removal of the fixture may require inserting a screwdriver between the SMK and fixture at the clip location to disengage the clip.



Note: Refer to individual product specification sheets for further information.