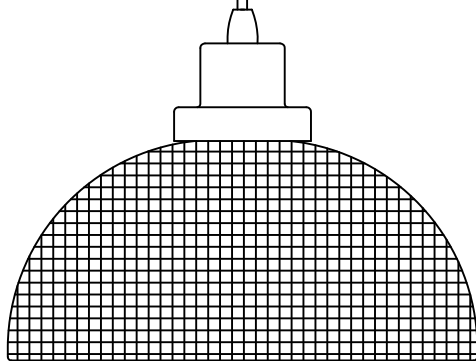
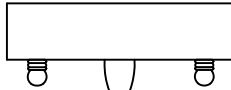


PRODUCT NAME: Retro
ITEM NUMBER: 25194CLPN

Please consult your electrician for hanging fixture and wiring.



The fixture is designed to dim with a standard Triac forward phase dimmer. Dimming levels will vary by dimmer.

Below is a list of recommended dimmers:

Lutron MACL-153M

Lutron DVL-153P

Lutron SCL-153P

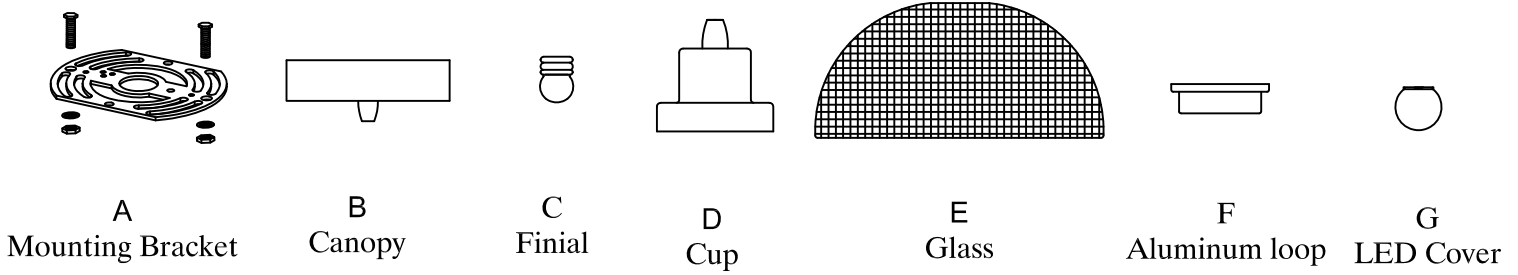
Leviton IPL06-10Z

Leviton 6674-POW

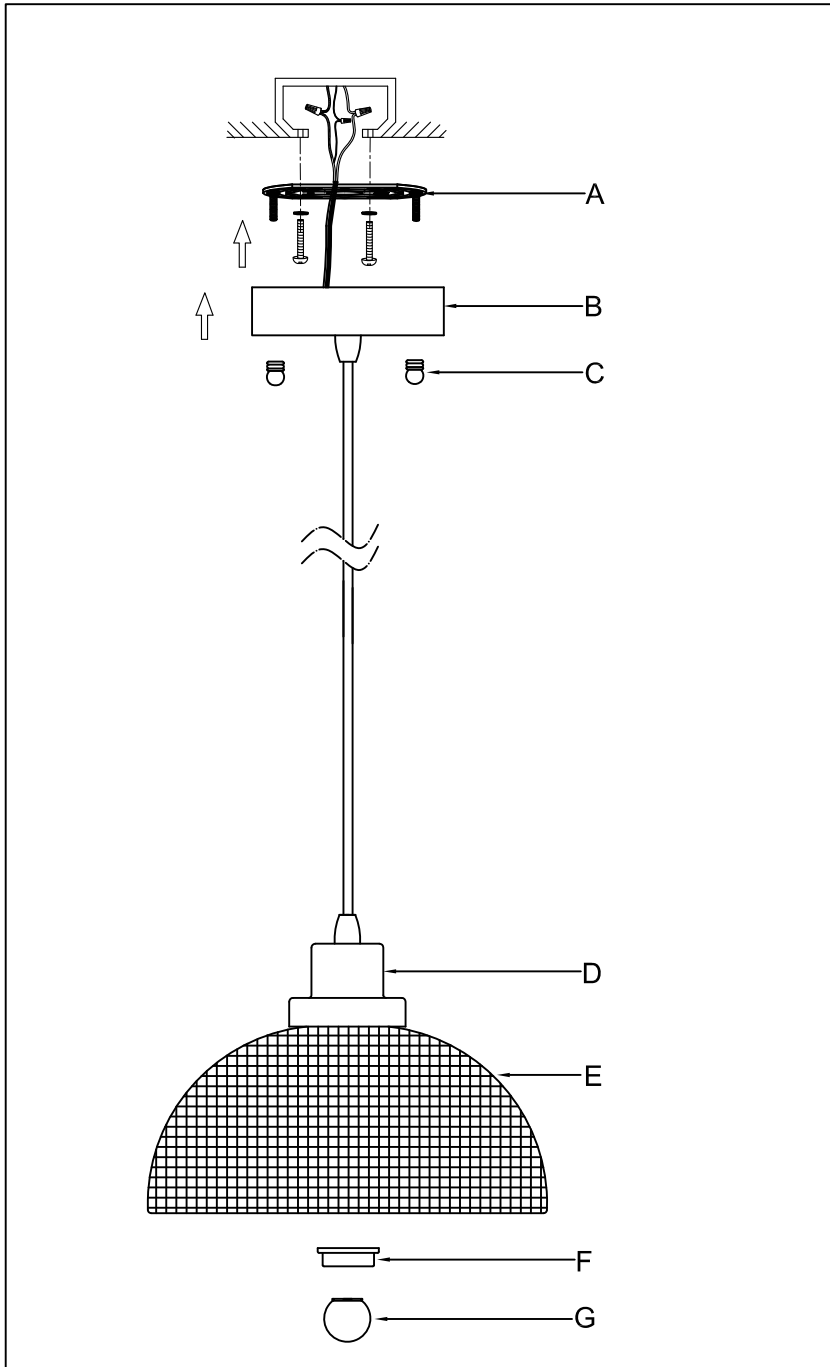
Due to inrush current, wattage should not exceed 150 Watts of product for a 600W dimmer.

8W LED

IMPORTANT: Turn off the power at the main fuse or circuit breaker box before starting installation

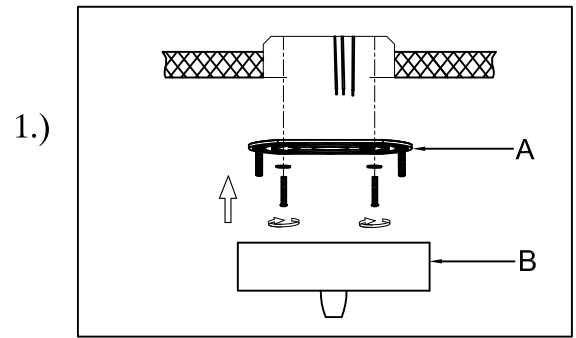


Locate all hardware & components before discarding packaging

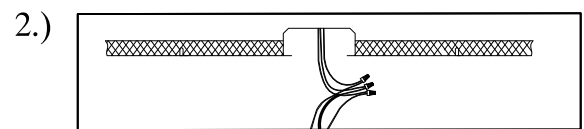


Cleaning & Care:

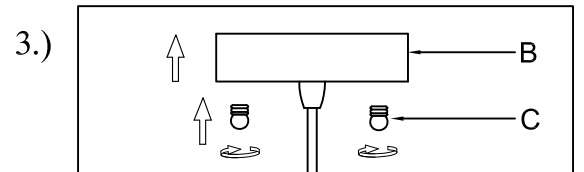
Clean with soft cloth and a mild detergent.
Do not use abrasive cleaner.



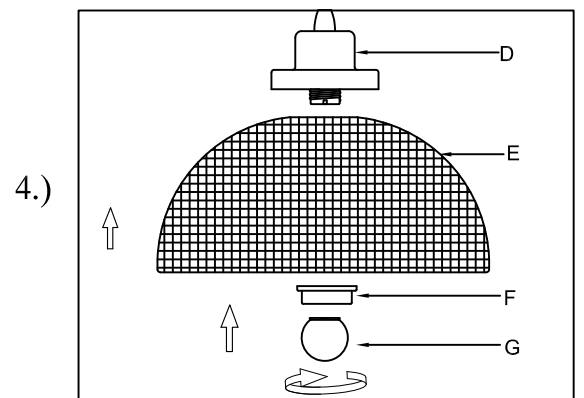
1.) Step 1: Remove mounting bracket (A) from canopy (B) and install to electrical box.



2.) Step 2: Wire fixtures to wires in outlet box. Green wire is ground.



3.) Step 3: Adjust wire length to desired mounting height and tighten strain relief screws to secure. Install canopy (B) to bracket using finials (C) to secure.



4.) Step 4: Insert glass (E) into cup (D) and secure using Aluminum loop (F) provided, At last Screw (G) to the lamp holder.